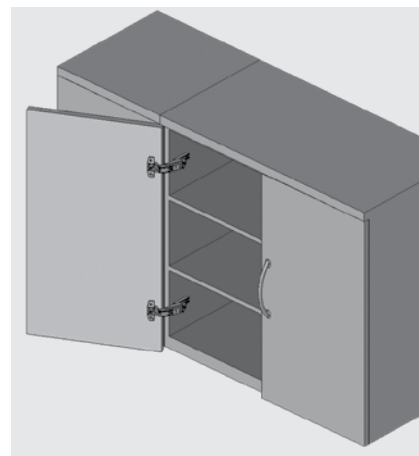


## hinge systems

### Samet 165° Soft Close Hinge



- Opening Angle : 155°
  - Cup Diameter : Ø35
  - Cup Depth : 11,50 mm
  - Hinge Body / Cup : Steel
  - Crank Type : 0 mm
  - Finish : Nickel
  - Depth Adj. : +4,6 / -0,4 mm
  - Side Adj. : +1/-6
  - Up/Down : ±2 mm
  - Packaging : 100 Pieces
- Simple assembling and disassembling of the cabinet doors. Only one touch on the Track mechanism is enough to release and fix the cabinet doors.



#### Samet 165° Crank 0 Soft Close Hinge Adjustable Mounting Plate Pre-assembled

DEFINITION	CODE
45 Axis	1016010
45 Axis Ø8 Dowel	1016011
45 Axis Ø10 Dowel	1016012
48 Axis	1016020
48 Axis Ø8 Dowel	1016021
48 Axis Ø10 Dowel	1016022
52 Axis	1016030
52 Axis Ø8 Dowel	1016031
52 Axis Ø10 Dowel	1016032

#### Page Directions

Assembly	Page 184
Dimension Charts and Symbols	Page 186

#### Screw Options

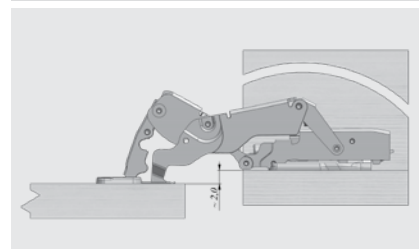
Ø3,5x16 mm Chipboard Screw



Ø8-10 mm Plastic Dowel

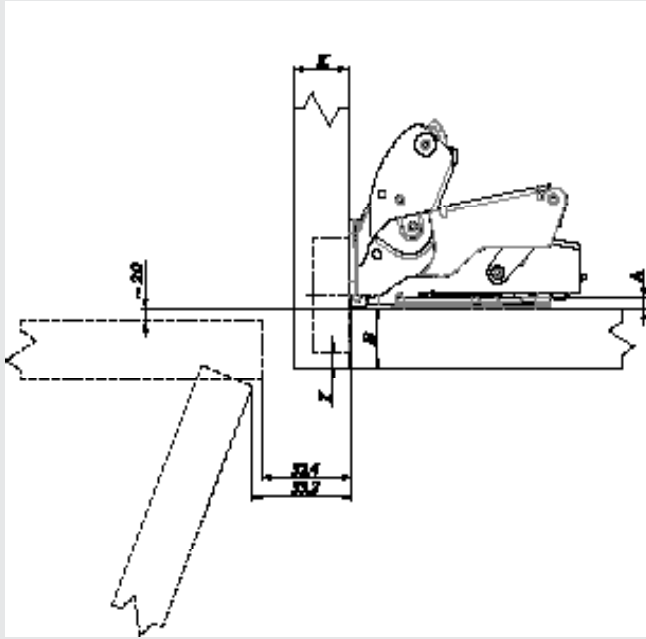


#### Application Dimension



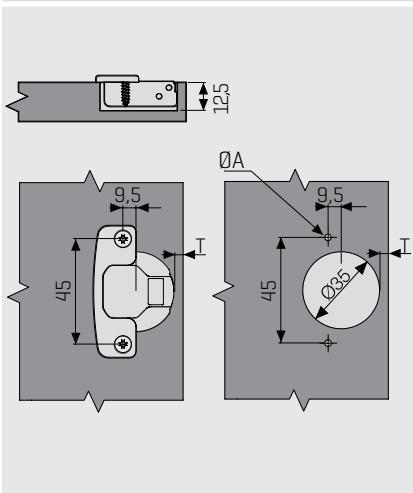
Cranking

Crank 0

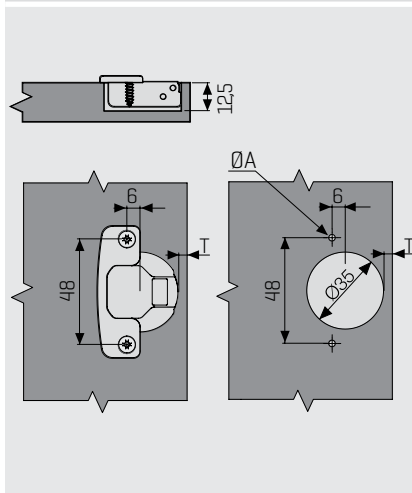


		A - Mounting Plate
		H:O
lay	15	3
	16	4
	17	5
	18	6
	19	7
		T - Cup Distance

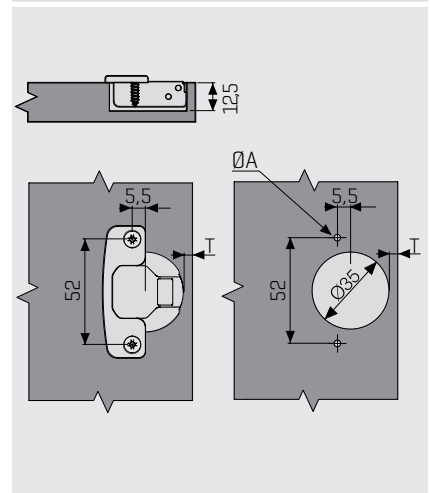
Cup Dimensions 45 mm



Cup Dimensions 48 mm



Cup Dimensions 52 mm



ØA [mm] = Chipboard Screw; Ø2,5x5 / [Ø8-Ø10] Dowel; [Ø8-Ø10]x12