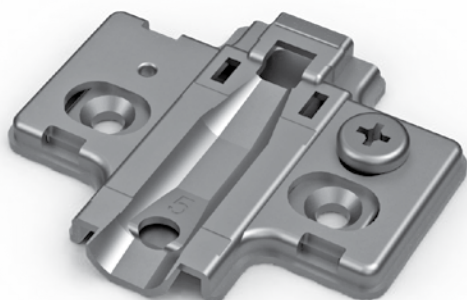


hinge systems

Master Track Adjustable Mounting Plate



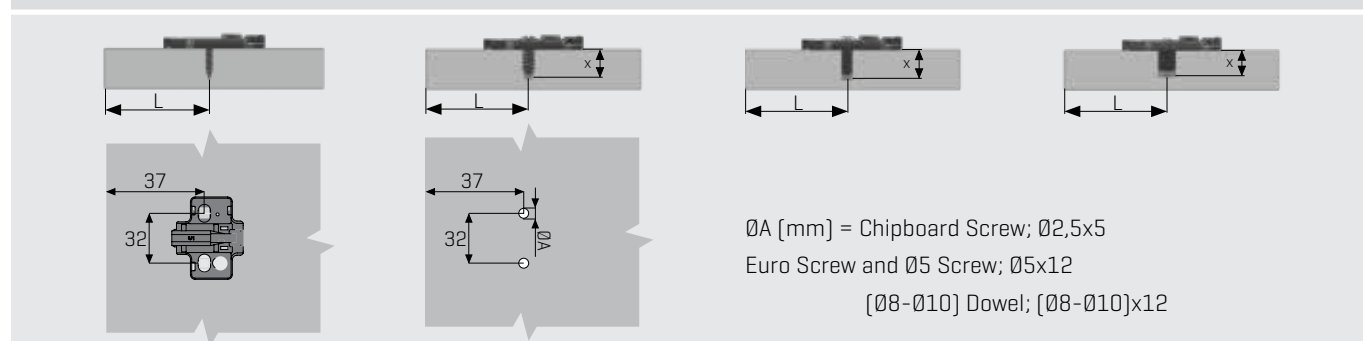
- Material : Steel
- Finish : Nickel
- Packaging: 125 Pieces
- Applicable to adjust up-down without releasing hinge and mounting plate.
- Applicable to adjust +/- 2 mm up-down by one move.
- Assembling and disassembling feature with one touch on the door without using screw driver.

Master Track Adjustable Mounting Plate	5 mm
DEFINITION	CODE
Master Track Adjustable Mounting Plate	10263851
Master Track Adjustable Mounting Plate Ø8 Dowel	10263852
Master Track Adjustable Mounting Plate Ø10 Dowel	10263853
Master Track Adjustable Mounting Plate 6,3x10 Euro Screw	10263855
Master Track Adjustable Mounting Plate 6,3x12 Euro Screw	10263858
Master Track Adjustable Mounting Plate 6,3x14 Euro Screw	10263854
Master Track Adjustable Mounting Plate Ø5x11,5 Dowel	10263857

Master Track Adjustable Mounting Plate	7 mm
DEFINITION	CODE
Master Track Adjustable Mounting Plate	10263871
Master Track Adjustable Mounting Plate Ø8 Dowel	10263872
Master Track Adjustable Mounting Plate Ø10 Dowel	10263873
Master Track Adjustable Mounting Plate 6,3x10 Euro Screw	10263875
Master Track Adjustable Mounting Plate 6,3x12 Euro Screw	10263878
Master Track Adjustable Mounting Plate 6,3x14 Euro Screw	10263874
Master Track Adjustable Mounting Plate Ø5x11,5 Dowel	10263877

Master Track Adjustable Mounting Plate	9 mm
DEFINITION	CODE
Master Track Adjustable Mounting Plate	10263891
Master Track Adjustable Mounting Plate Ø8 Dowel	10263892
Master Track Adjustable Mounting Plate Ø10 Dowel	10263893
Master Track Adjustable Mounting Plate 6,3x10 Euro Screw	10263895
Master Track Adjustable Mounting Plate 6,3x12 Euro Screw	10263898
Master Track Adjustable Mounting Plate 6,3x14 Euro Screw	10263894
Master Track Adjustable Mounting Plate Ø5x11,5 Dowel	10263897

Dimensions



Screw Options

Ø3,5x16 mm Chipboard Screw



Euro Screw



Ø5-8-10 mm Plastic Dowel

