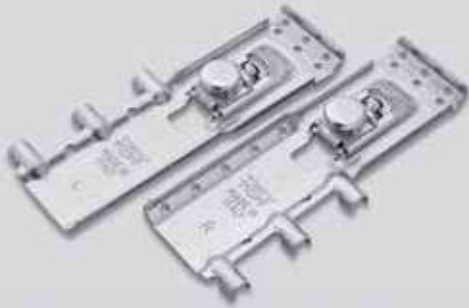




Wall hanging brackets



Leva, the FGV wall hanging brackets line, offers simplicity and immediacy, harmony and functionality: all the characteristics of a reliable solution for fixing a cabinet. The range differs according to the fixing system: with screws or dowels, to the assembling system, hidden or visible (also available cover plates in a large range of colours and finishes), and to a wide range of adjustments allowing an ideal use in any condition and furniture.



Leva Index



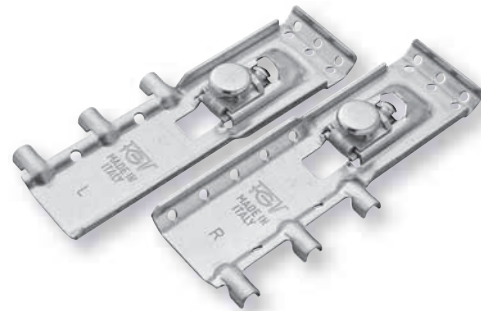
<i>Leva 740</i>	<i>152</i>
<i>Leva 840</i>	<i>153</i>
<i>Leva 709</i>	<i>154</i>
<i>Leva 705</i>	<i>155</i>
<i>Leva 708</i>	<i>156</i>
<i>Leva 707 – 787</i>	<i>157</i>
<i>Leva 706</i>	<i>158</i>
<i>Leva 702</i>	<i>159</i>
<i>Leva 701</i>	<i>160</i>
<i>Leva 703</i>	<i>161</i>
<i>Leva 753</i>	<i>162</i>
<i>Leva 754</i>	<i>163</i>
<i>Wall hanging bracket bars</i>	<i>164</i>

Leva 740



Concealed wall hanging bracket fastened to the back of the cabinet

- 2 fixing options: with Ø10 dowels or with self-tapping screws
- Reduced installation space only 15mm
- Higher holes for additional security screws
- Moulded adjustment pins to avoid accidental dismounting
- Cover: Ø35 round and oval
- For fixing bars see page 164



Oval cover cap.

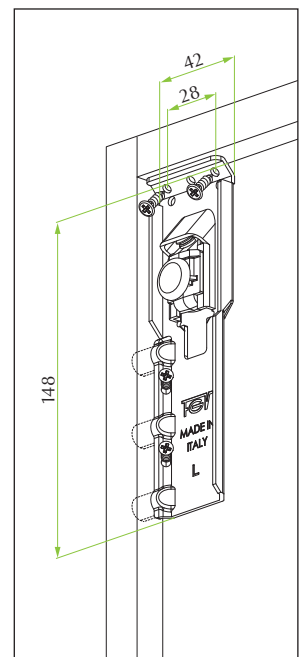
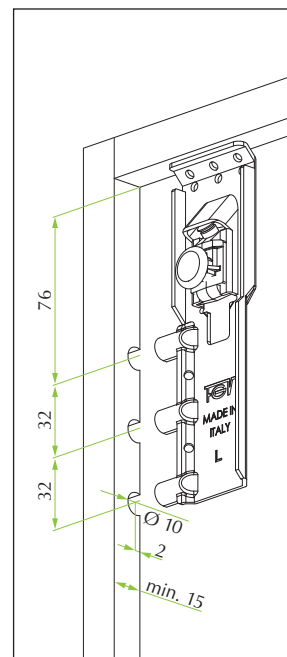
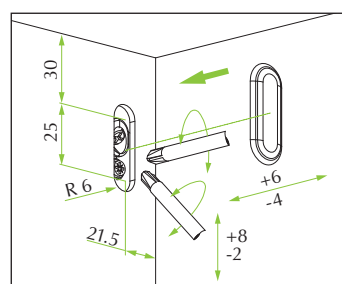
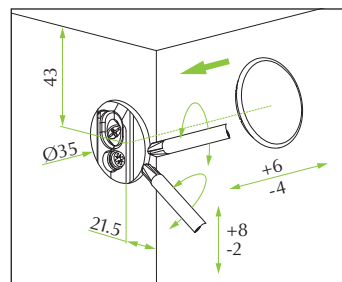
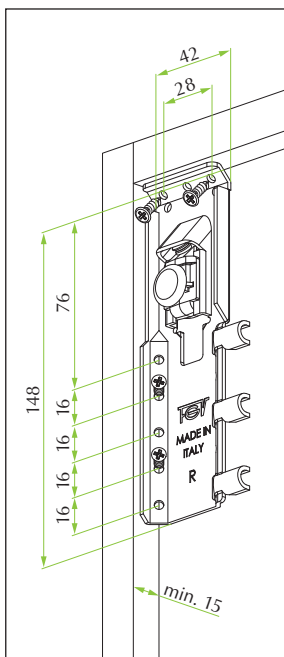


Round cover cap.

Code	Description	Packing
53.C740.07.01.000	Wall hanging bracket Leva 740 – right	100 pieces
53.C740.07.02.000	Wall hanging bracket Leva 740 – left	100 pieces
53.07C3.**.00.000	Cover cap in nylon – round shape	400 pieces
53.07CS.**.00.000	Cover cap in polystyrene – oval shape	200 pieces

** Colour code: A1 = White RAL 9010 / A2 = Brown RAL 8016 / C6 = Grey RAL 7004 / 01 = Painted matt aluminium. Other colours on request.

Drilling position & adjustments

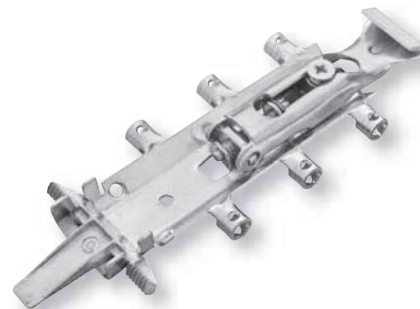


Leva 840



Concealed and symmetrical wall hanging bracket fastened to the back of the cabinet

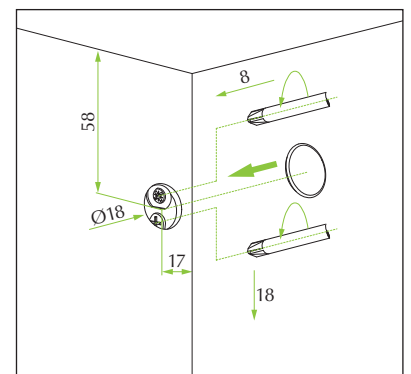
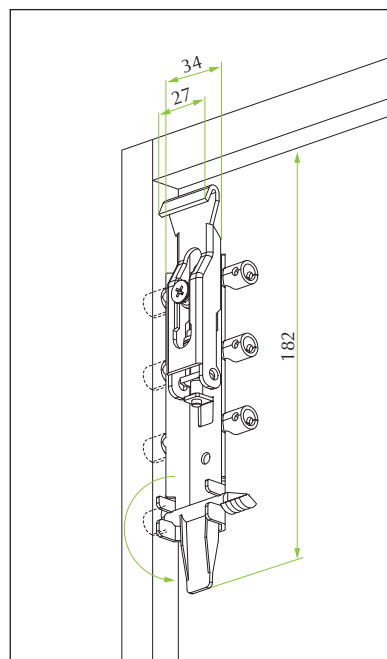
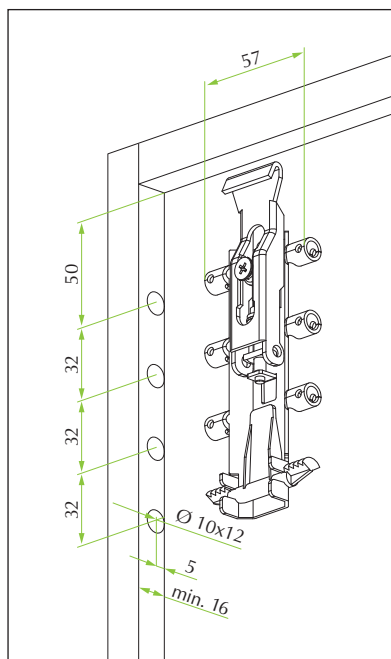
- NoTool fixing with Ø10 dowels and safety lever
- Reduced installation space only 16mm
- Cover: Ø18 round in nickel-plated zamak
- For fixing bars see page 164



Round cover cap.

Code	Description	Packing
53.5840.07.0000000	Wall hanging bracket Leva 840 - symmetric	100 pieces
53.58C4.05.0000000	Cover cap in nickel-plated zamak – round shape	400 pieces

Drilling position & adjustments

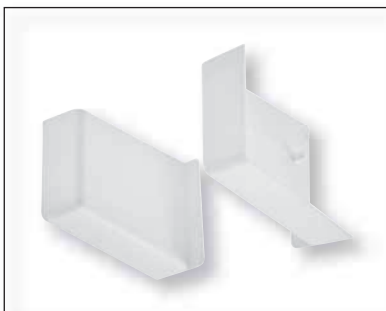
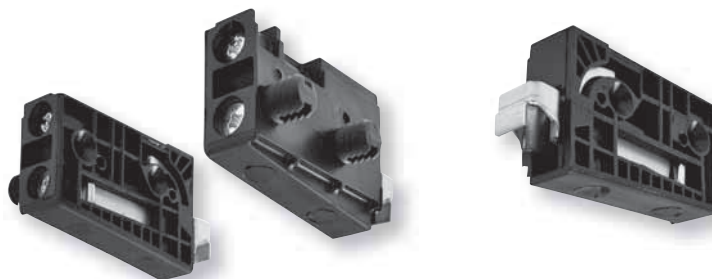


Leva 709



Wall hanging bracket fixing machine version

- Fixing with Ø10 dowels for automatic machine
- Made in high-strength nylon
- Symmetrical hook with pre-blocked adjustment
- Front adjustment easy to access
- In&Out adjustment with special screw to avoid accidental dismounting
- Covers in a wide range of colours
- For fixing bars see page 164

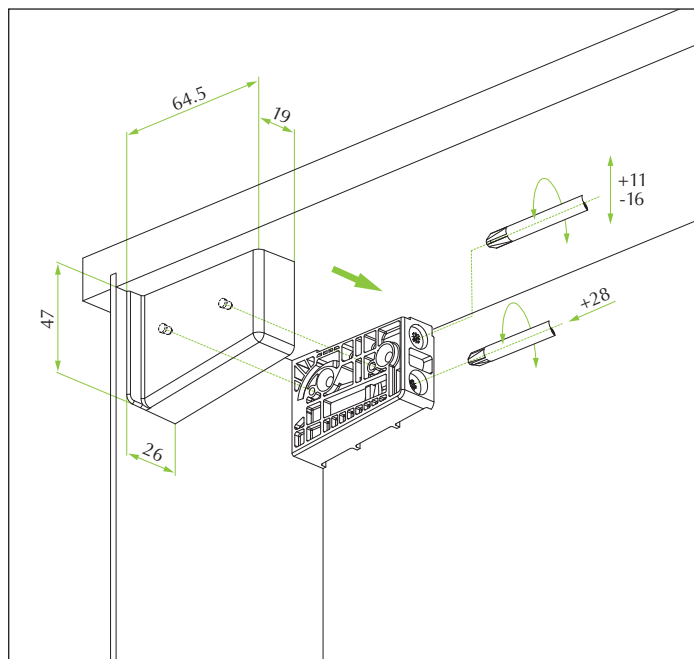
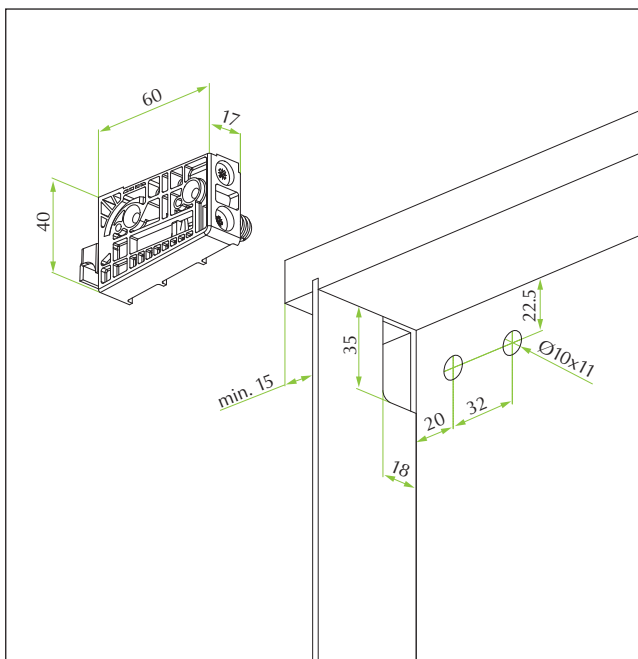


Cover.

Code	Description	Packing
53.0709.03.01.0R100	Wall hanging bracket Leva 709 – right	250 pieces
53.0709.03.02.0R100	Wall hanging bracket Leva 709 – left	250 pieces
<i>Colour finish: Black.</i>		
53.07C4.**.01.000	Cover in polypropylene – right	250 pieces
53.07C4.**.02.000	Cover in polypropylene – left	250 pieces

** Colour code: A1 = White RAL 9010 / A2 = Brown RAL 8016 / C6 = Grey RAL 7004.

Drilling position & adjustments

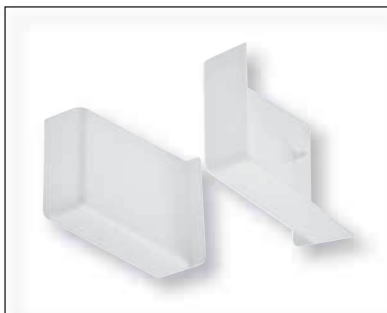
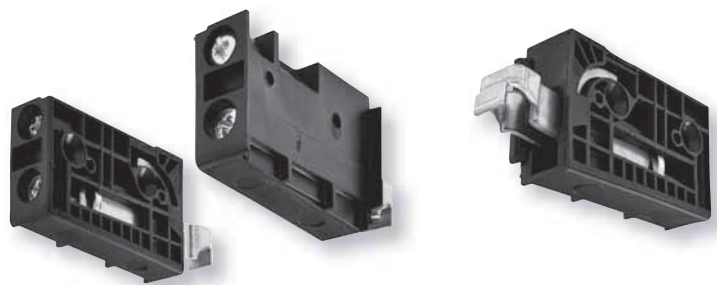


Leva 705



Wall hanging bracket screw fixing

- Fixing with selftapping screws
- Made in high-strength nylon
- Symmetrical hook
- Front adjustment easy to access
- In&Out adjustment with special screw to avoid accidental dismounting
- Covers in a wide range of colours
- For fixing bars see page 164

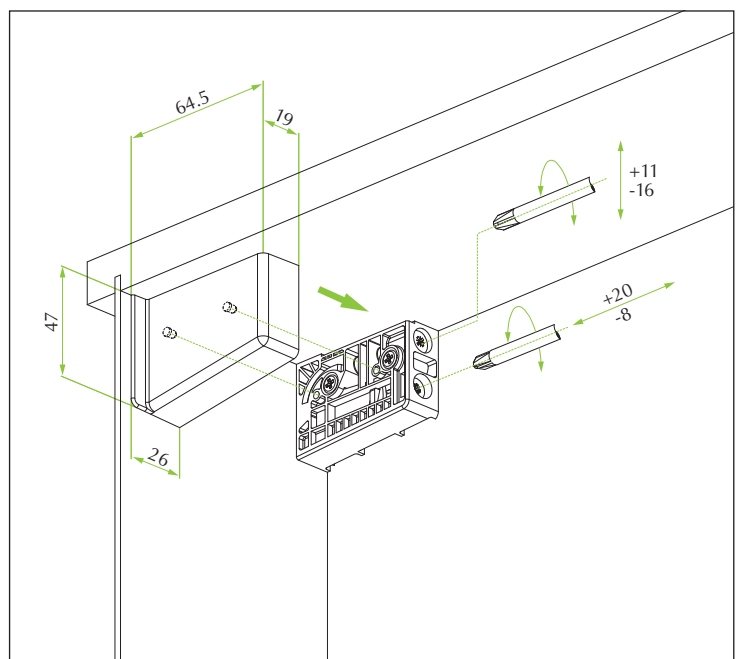
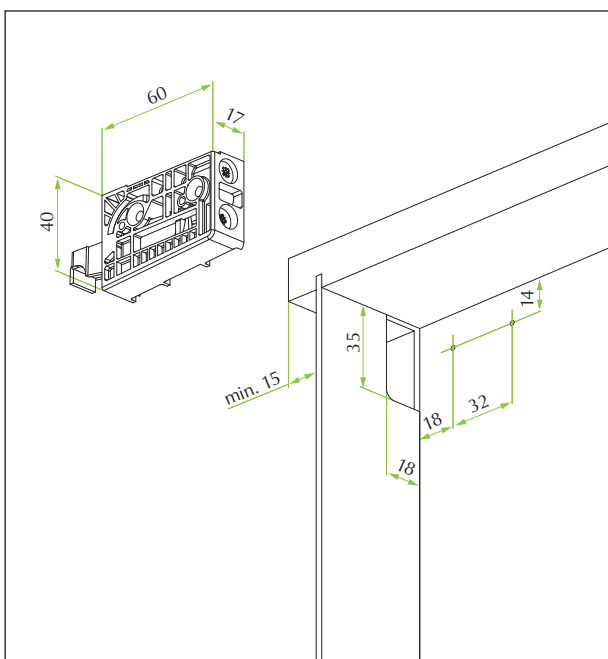


Cover.

Code	Description	Packing
53.0705.03.01.000	Wall hanging bracket Leva 705 – right	250 pieces
53.0705.03.02.000	Wall hanging bracket Leva 705 – left	250 pieces
<i>Colour finish: Black.</i>		
53.07C4.**.01.000	Cover in polypropylene – right	250 pieces
53.07C4.**.02.000	Cover in polypropylene – left	250 pieces

** Colour code: A1 = White RAL 9010 / A2 = Brown RAL 8016 / C6 = Grey RAL 7004.

Drilling position & adjustments



Values given in mm

155

Leva 708



Wall hanging bracket dowel fixing

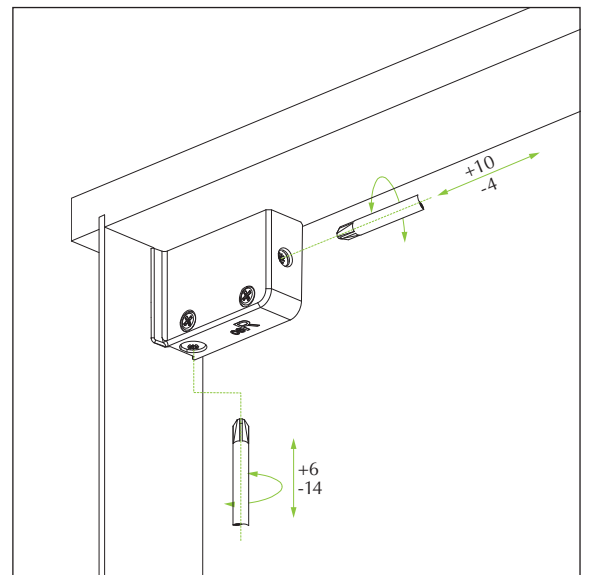
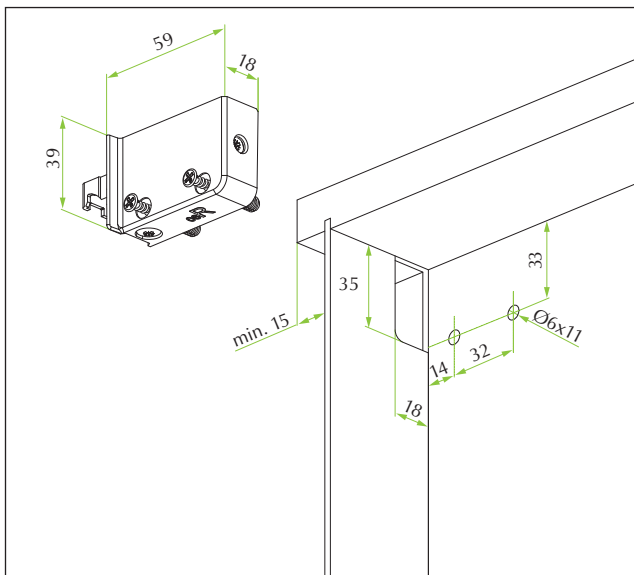
- Fixing with $\text{Ø}6$ expanding dowels and premounted screws
- Symmetrical hook
- Special adjustment screws to avoid accidental dismounting
- For fixing bars see page 164



Code	Description	Packing
53.0708.**.01.000	Wall hanging bracket Leva 708 – right	250 pieces
53.0708.**.02.000	Wall hanging bracket Leva 708 – left	250 pieces

** Colour code: A1 = White RAL 9010 / A2 = Brown RAL 8016 / C6 = Grey RAL 7004

Drilling position & adjustments

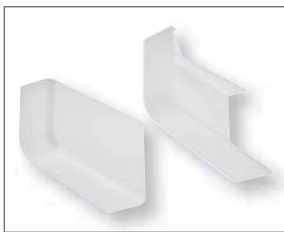
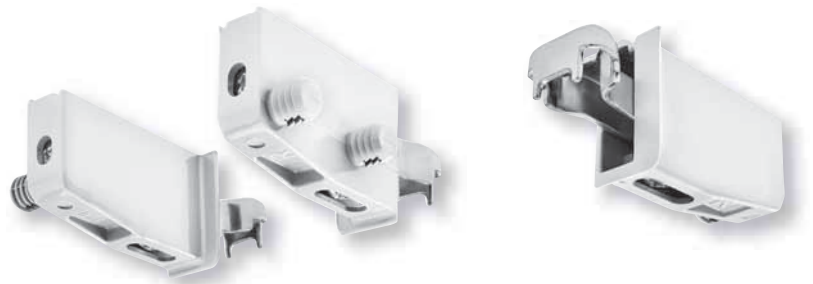


Leva 707 - 787



Wall hanging bracket dowel fixing

- Fixing with dowels
- Symmetrical hook
- Adjustment screws to avoid accidental dismounting
- Covers in a wide range of colours
- For fixing bars see page 164



Cover.

Code	Description	Dowels	Packing
53.A707.**.01.000	Wall hanging bracket Leva 707 – right	Ø10	250 pieces
53.A707.**.02.000	Wall hanging bracket Leva 707 – left	Ø10	250 pieces
53.C787.**.01.000	Wall hanging bracket Leva 787 – right	Ø8	250 pieces
53.C787.**.02.000	Wall hanging bracket Leva 787 – left	Ø8	250 pieces

** Colour code: A1 = White RAL 9010 / A2 = Brown RAL 8016 / C6 = Grey RAL 7004.

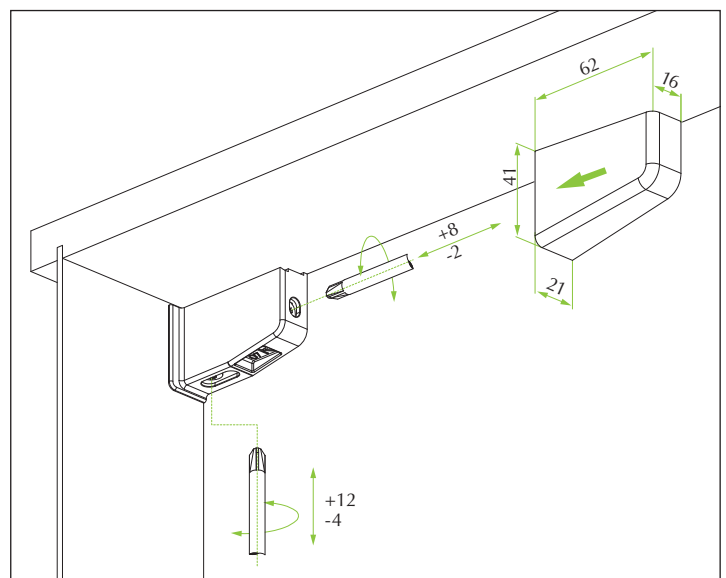
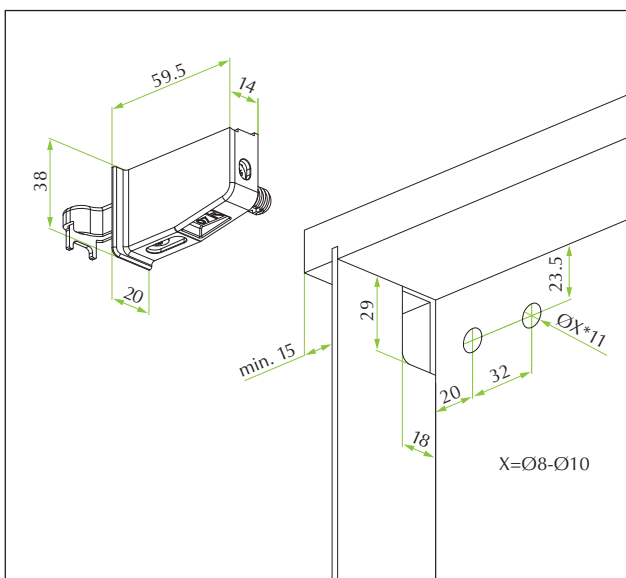
53.07C7.**.01.000	Cover in high-impact polystyrene – right		250 pieces
53.07C7.**.02.000	Cover in high-impact polystyrene – left		250 pieces

** Colour code: A1 = White RAL 9010 / A2 = Brown RAL 8016 / C6 = Grey RAL 7042 / 01 = Painted matt aluminium. Other colours on request.

Drilling position & adjustments

ABS

90 Kg



Values given in mm

157

Leva 706



Wall hanging bracket dowel fixing

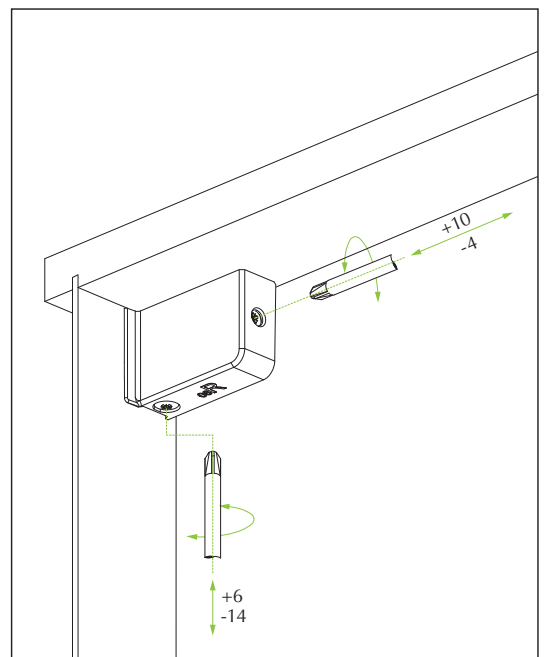
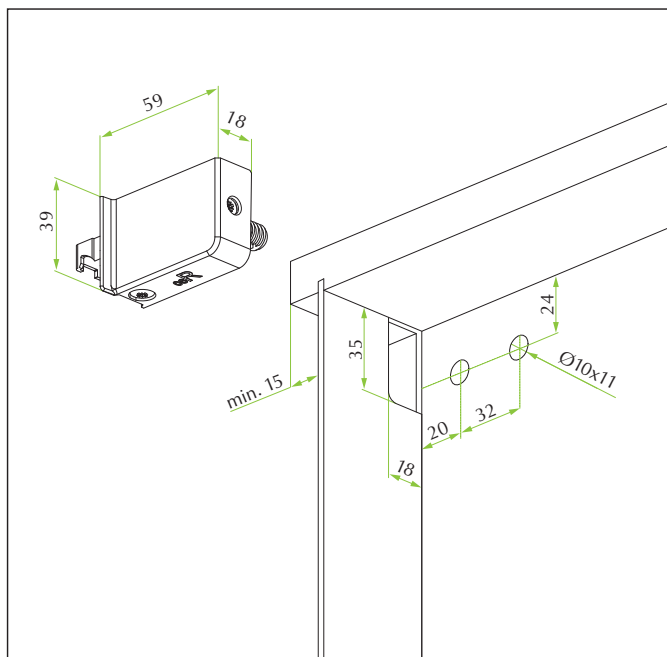
- Fixing with Ø10 dowels
- Symmetrical hook
- Adjustment screws to avoid accidental dismounting
- For fixing bars see page 164



Code	Description	Packing
53.C706.**.01.N00	Wall hanging bracket Leva 706 – right	250 pieces
53.C706.**.02.N00	Wall hanging bracket Leva 706 – left	250 pieces

** Colour code: A1 = White RAL 9010 / A2 = Brown RAL 8016 / C6 = Grey RAL 7004.

Drilling position & adjustments



Leva 702



Wall hanging bracket dowel fixing

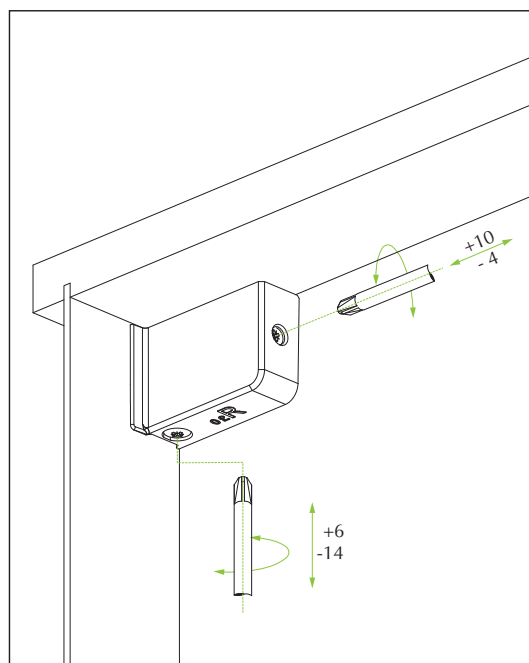
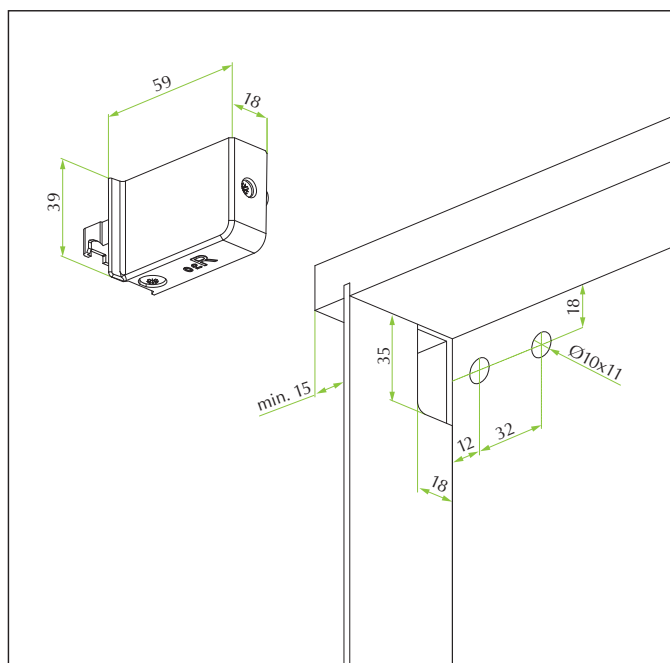
- Fixing with $\text{Ø}10$ dowels
- Symmetrical hook
- Adjustment screws to avoid accidental dismounting
- For fixing bars see page 164



Code	Description	Packing
53.0702.**.01.N00	Wall hanging bracket Leva 702 – right	250 pieces
53.0702.**.02.N00	Wall hanging bracket Leva 702 – left	250 pieces

** Colour code: A1 = White RAL 9010 / A2 = Brown RAL 8016 / C6 = Grey RAL 7004.

Drilling position & adjustments



Values given in mm

Leva 701



Wall hanging bracket dowel fixing

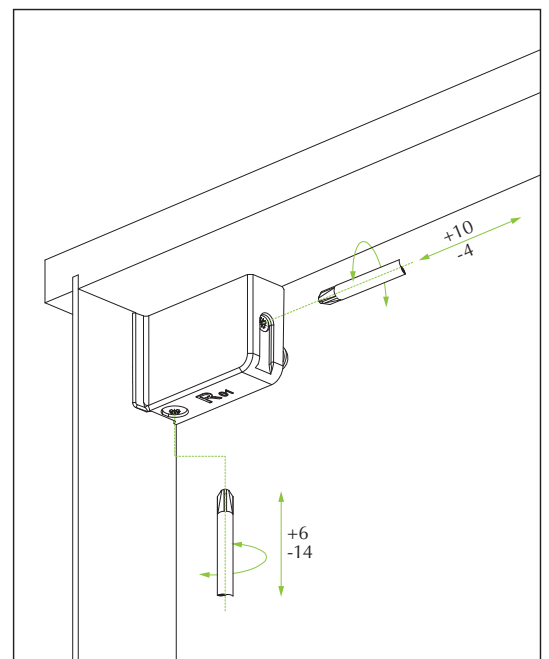
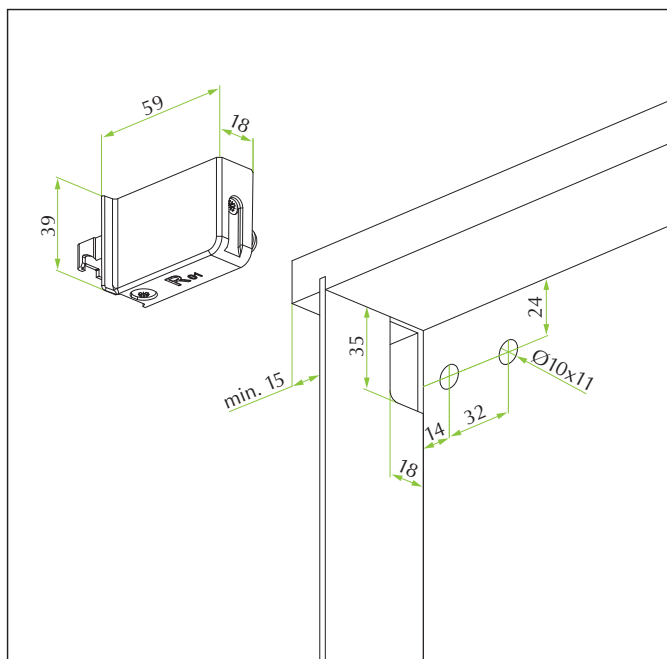
- Fixing with Ø10 dowels
- Symmetrical hook
- Adjustment screws to avoid accidental dismounting
- For fixing bars see page 164



Code	Description	Packing
53.C701.**.01.N00	Wall hanging bracket Leva 701 – right	250 pieces
53.C701.**.02.N00	Wall hanging bracket Leva 701 – left	250 pieces

** Colour code: A1 = White RAL 9010 / A2 = Brown RAL 8016 / C6 = Grey RAL 7004.

Drilling position & adjustments



Leva 703



Wall hanging bracket screws fixing

- Fixing with selftapping screws
- Symmetrical hook
- Adjustment screws to avoid accidental dismounting
- For fixing bars see page 164

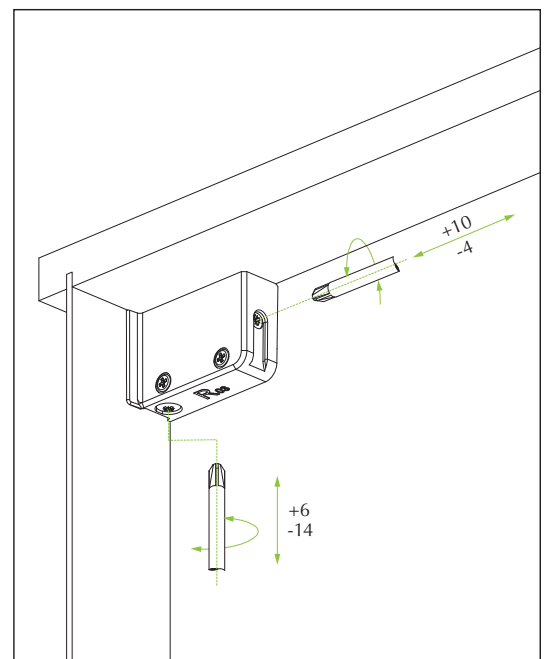
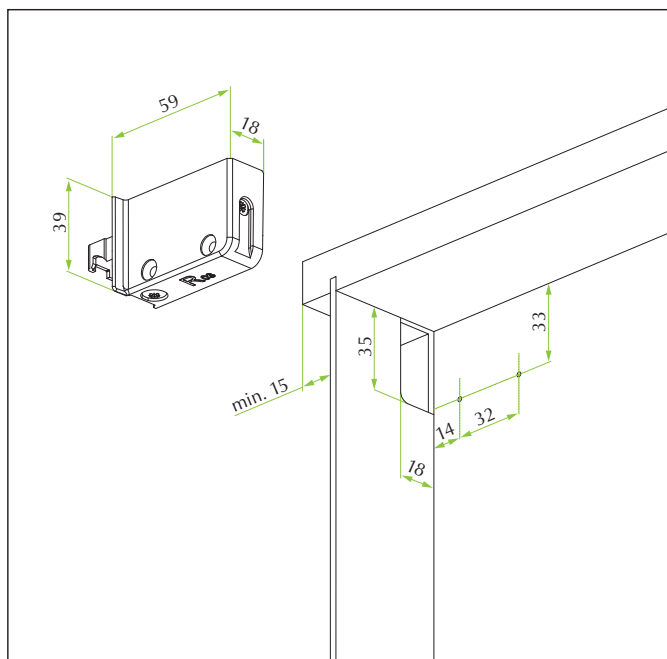


Code	Description	Packing
53.C703.**.01.N00	Wall hanging bracket Leva 703 – right	250 pieces
53.C703.**.02.N00	Wall hanging bracket Leva 703 – left	250 pieces

** Colour code: A1 = White RAL 9010 / A2 = Brown RAL 8016 / C6 = Grey RAL 7004.

LEVA

Drilling position & adjustments



Values given in mm

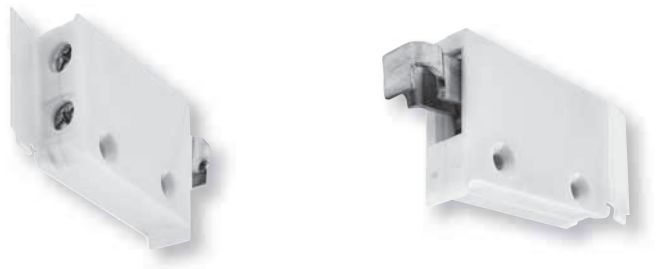
161

Leva 753



Symmetrical wall hanging bracket

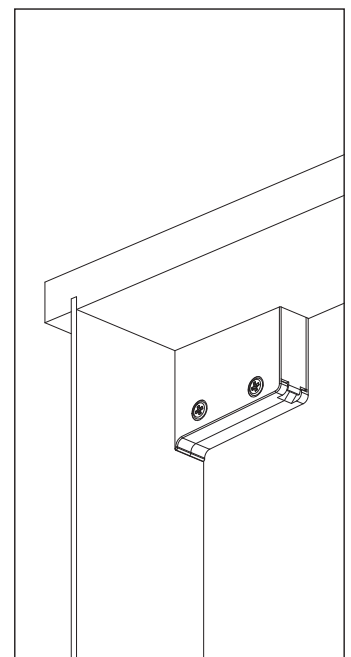
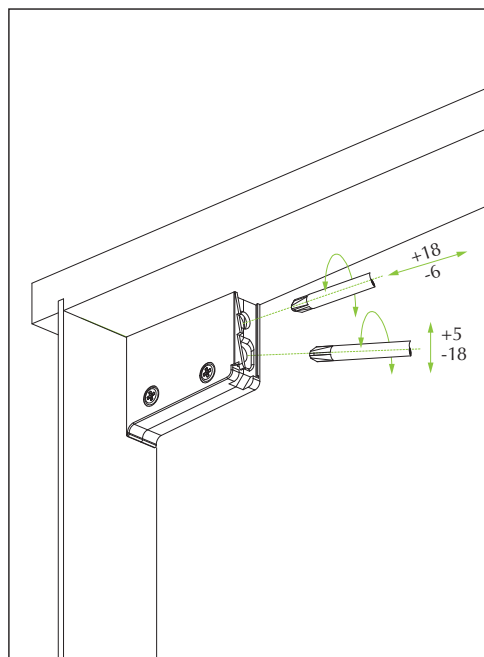
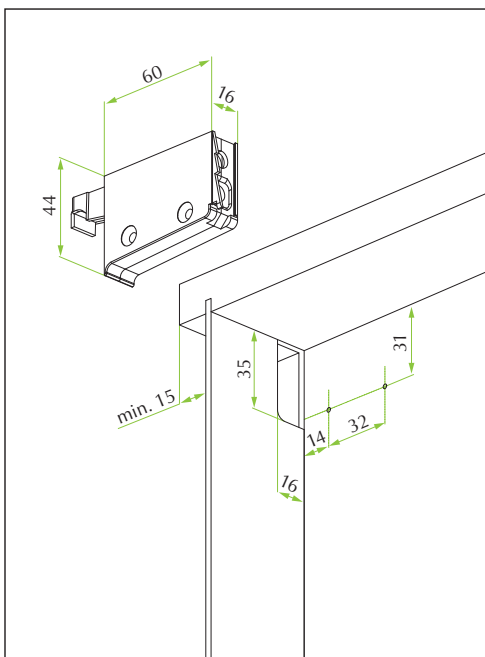
- Fixing with selftapping screws
- Symmetrical hook
- Front adjustment easy to access
- Adjustment screws to avoid accidental dismounting
- Flap for screws covering
- For fixing bars see page 164



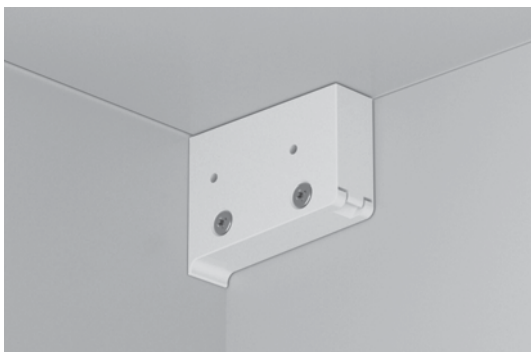
Code	Description	Packing
53.5753.**.00000	Wall hanging bracket Leva 753 – symmetric	250 pieces

** Colour code: A1 = White RAL 9010 / A2 = Brown RAL 8016.

Drilling position & adjustments

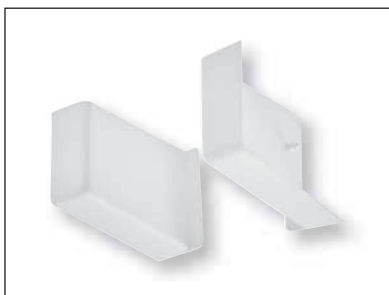
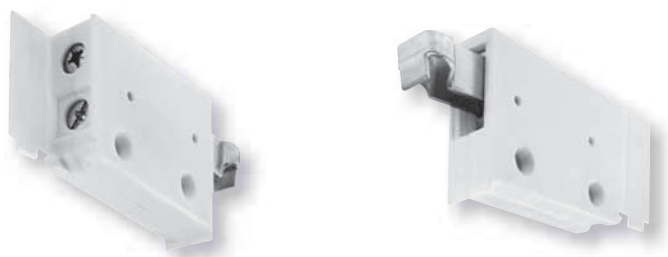


Leva 754



Symmetrical wall hanging bracket

- Fixing with selftapping screws
- Symmetrical hook
- Front adjustment easy to access
- Adjustment screws to avoid accidental dismounting
- Flap for screws covering
- Covers in a wide range of colours
- For fixing bars see page 164

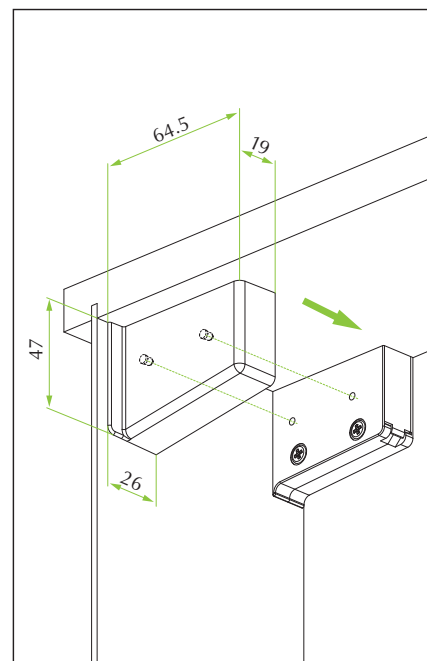
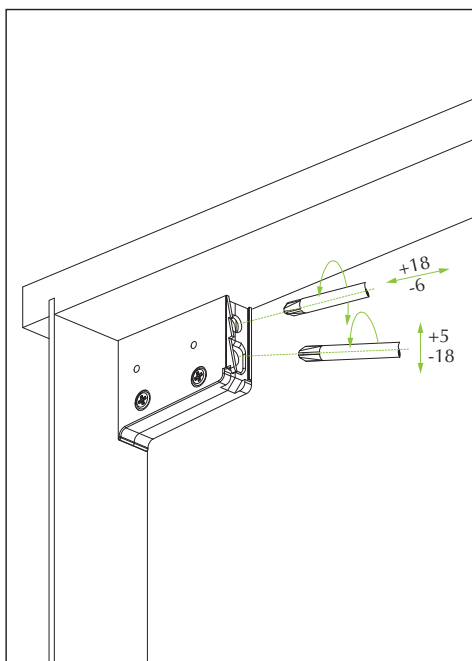
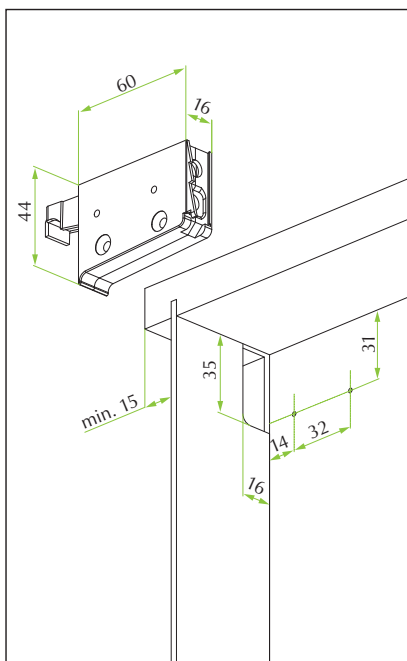


Cover.

Code	Description	Packing
53.5754.**.00000	Wall hanging bracket Leva 754 – symmetric	250 pieces
** Colour code: 1 = White RAL 9010 / 2 = Brown RAL 8016		
53.07C4.**.01.000	Cover in nylon – right	250 pieces
53.07C4.**.02.000	Cover in nylon – left	250 pieces

** Colour code: A1 = White RAL 9010 / 02 = Brown RAL 8016 / C6 = Grey RAL 7004.

Drilling position & adjustments

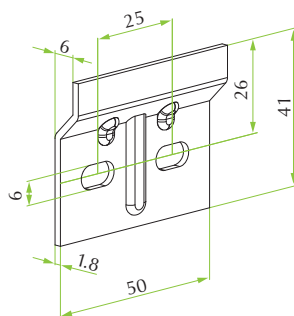
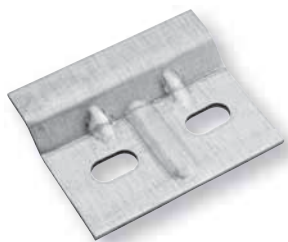


Values given in mm

Wall hanging bracket plates & bars

Plate 027

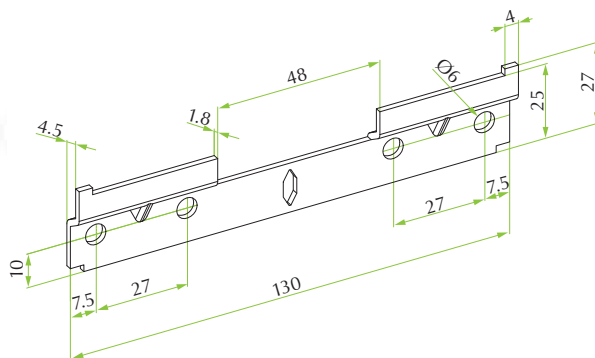
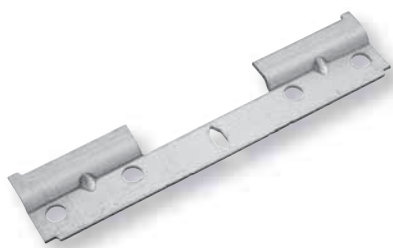
Wall hanging bracket plate of 50mm. 1.8mm of thickness. EN15939 Certification.



Code	Description	Packing
22.0027.07.005CF	027 wall hanging bracket plate	500 pieces <i>Finish: zinc.</i>

Plate 028

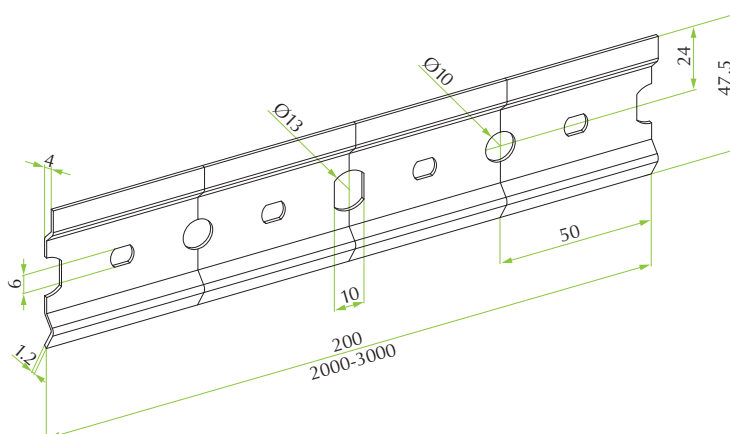
Wall hanging bracket double plate of 130mm. 1.8mm of thickness. Precut for application with side cabinets. EN15939 Certification.



Code	Description	Packing
53.0700.07.13000	028 wall hanging bracket plate	500 pieces <i>Finish: zinc.</i>

Bar 029

Wall hanging bracket bar. Drilling and pre-cutting arrangement with 50mm pitch. UNI10768 Certification. Available different lengths.



Code	Description	Packing
53.0029.07.02000	029 wall hanging bracket bar 200mm	200 pieces
53.0029.07.10000	029 wall hanging bracket bar 1000mm	10 pieces
53.0029.07.15000	029 wall hanging bracket bar 1500mm	10 pieces
53.0029.07.20000	029 wall hanging bracket bar 2000mm	10 pieces
53.0029.07.30000	029 wall hanging bracket bar 3000mm	10 pieces

Finish: zinc.