



Optima Click

The right look

Designed to last

One-Step 3D adjustment

Safe rapid fixing

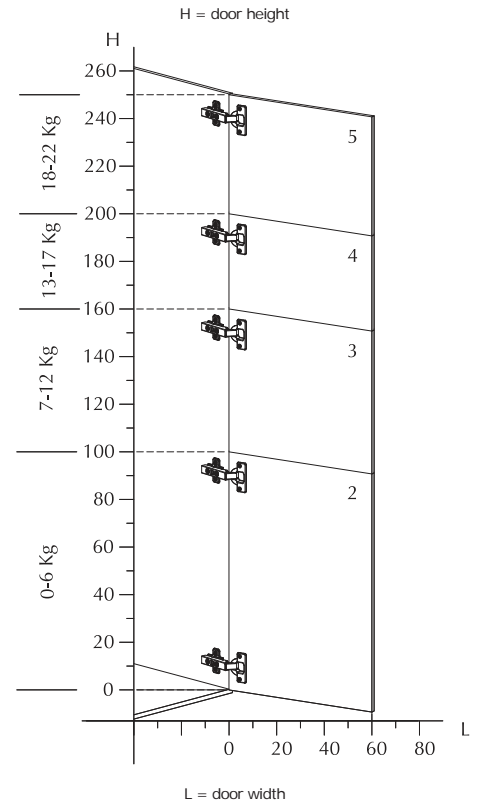
Genios compatible

Option OneTouch

Complete system

The **Optima Click** hinge represents the premium offering in the FGV hinge program with improved, elegant & timeless design and some unique functional features. An aesthetic and functionally convincing hinge, with a straight and modern look, emphasized by the possibility of customization with a logo. All the adjustments are immediate, allowing to find the door's correct position in one step. Optima hinges are available with the whole array of cup-fixing solutions, including the no-tool Centra system. To keep the door movement under control and providing a silent closing Optima hinges are available in Genios configuration, and compatible with SlowMotion add-on damper solutions as well.

Optima Click



Mounting System



1 Place the front part of the hinge on the front side of the mounting plate.

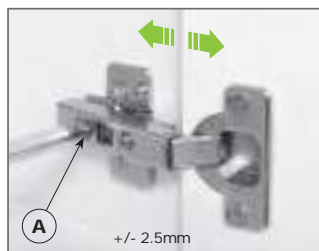


2 Rotate the arm of the hinge.

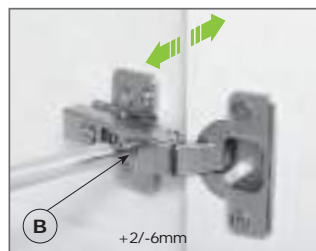


3 Press down the rear part of the hinge to Click on.

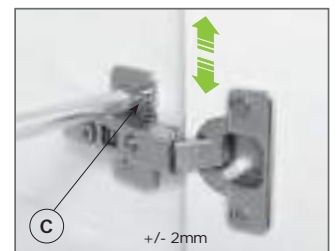
Adjusting System



Depth adjustment
Acting on the "A" screw it is possible to adjust the distance between the side of the cabinet and the door.



Independent side adjustment
Acting on the "B" screw it is possible to change the amount of the door covering on the side of the cabinet.



Vertical adjustment
Acting on the "C" screw of the mounting plate it is possible to adjust the door vertically.

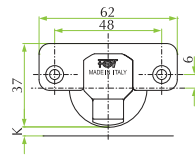
INDEX

OPENING 110°		Summary table	p. 22
		Product detail	p. 26
OPENING 125°		Summary table	p. 22
		Product detail	p. 28
OPENING 175°		Summary table	p. 22
		Product detail	p. 30
FOR THICK DOORS 95° Ø35		Summary table	p. 22
		Product detail	p. 32
FOR CORNER DOORS 110°		Summary table	p. 22
		Product detail	p. 34
FOR CORNER CABINET 90°		Summary table	p. 22
		Product detail	p. 36

SPECIAL SOLUTIONS

FOR DOORS WITH ALUMINIUM FRAME 105°		Summary table	p. 25
		Product detail	p. 38
FOR THICK DOORS 90° Ø40		Summary table	p. 25
		Product detail	p. 42
ZIP FIXING SYSTEM		Summary table	p. 25

Cup hole distance 48x6mm



OPENING 110°



Crank 0		p. 26	p. 26	p. 26	p. 26	p. 26	p. 26
Crank 8		p. 26	p. 26	p. 26	p. 26	p. 26	p. 26
Crank 15		p. 26	p. 26	p. 26	p. 26	p. 26	p. 26

OPENING 125°



Crank 0		p. 28	p. 28	p. 28	p. 28	p. 28	p. 28
Crank 8		p. 28	p. 28	p. 28	p. 28	p. 28	p. 28

OPENING 175°



Crank 0		p. 30	p. 30	p. 30	p. 30	p. 30	
Crank 8		p. 30	p. 30	p. 30	p. 30	p. 30	

FOR THICK DOORS OPENING 95° Ø35



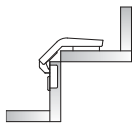
Crank 0		p. 32	p. 32	p. 32	p. 32		
Crank 8		p. 32	p. 32	p. 32	p. 32		
Crank 15		p. 32	p. 32	p. 32	p. 32		

FOR CORNER DOORS 110°



Angle 24°+30°		p. 34	p. 34	p. 34	p. 34	p. 34	p. 34
Angle 45°		p. 34	p. 34	p. 34	p. 34	p. 34	p. 34
Angle 90°		p. 34	p. 34	p. 34	p. 34	p. 34	p. 34

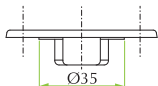
FOR CORNER CABINET 90°



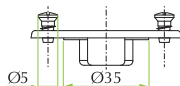
		p. 36	p. 36	p. 36	p. 36	p. 36	
--	--	-------	-------	-------	-------	-------	--



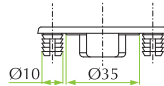
SELFTAPPING
SCREW



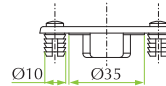
EURO
SCREW



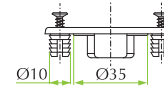
DOWEL



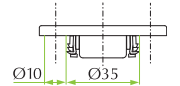
VELOFIX
DOWEL



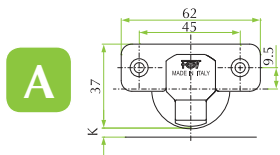
X-PANDO
DOWEL



CENTRA



**Cup hole distance
45x9.5mm**



OPENING 110°



Crank 0		p. 26	p. 26	p. 26	p. 26	p. 26	p. 26
Crank 8		p. 26	p. 26	p. 26	p. 26	p. 26	p. 26
Crank 15		p. 26	p. 26	p. 26	p. 26	p. 26	p. 26

OPENING 125°



Crank 0		p. 28	p. 28	p. 28	p. 28	p. 28	p. 28
Crank 8		p. 28	p. 28	p. 28	p. 28	p. 28	p. 28

OPENING 175°



Crank 0		p. 30	p. 30	p. 30	p. 30	p. 30	
Crank 8		p. 30	p. 30	p. 30	p. 30	p. 30	

**FOR THICK DOORS
OPENING 95° Ø35**



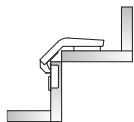
Crank 0		p. 32	p. 32	p. 32	p. 32		
Crank 8		p. 32	p. 32	p. 32	p. 32		
Crank 15		p. 32	p. 32	p. 32	p. 32		

FOR CORNER DOORS 110°



Angle 24°±30°		p. 34	p. 34	p. 34	p. 34	p. 34	p. 34
Angle 45°		p. 34	p. 34	p. 34	p. 34	p. 34	p. 34
Angle 90°		p. 34	p. 34	p. 34	p. 34	p. 34	p. 34

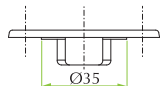
FOR CORNER CABINET 90°



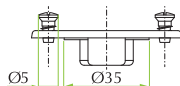
		p. 36	p. 36	p. 36	p. 36	p. 36	
--	--	-------	-------	-------	-------	-------	--



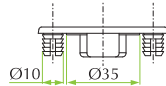
SELFTAPPING SCREW



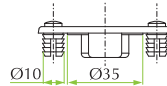
EURO SCREW



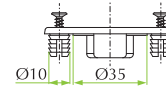
DOWEL



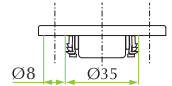
VELOFIX DOWEL



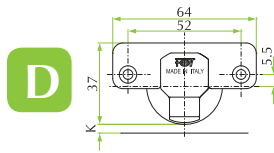
X-PANDO DOWEL



CENTRA



**Cup hole distance
52x5.5mm**



OPENING 110°



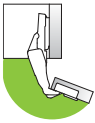
Crank 0		p. 26	p. 26	p. 26	p. 26	p. 26
Crank 8		p. 26	p. 26	p. 26	p. 26	p. 26
Crank 15		p. 26	p. 26	p. 26	p. 26	p. 26

OPENING 125°



Crank 0		p. 28	p. 28	p. 28	p. 28	p. 28
Crank 8		p. 28	p. 28	p. 28	p. 28	p. 28

OPENING 175°



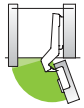
Crank 0		p. 30	p. 30	p. 30	p. 30	p. 30
Crank 8		p. 30	p. 30	p. 30	p. 30	p. 30

**FOR THICK DOORS
OPENING 95° Ø35**



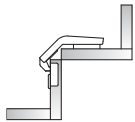
Crank 0		p. 32	p. 32	p. 32	p. 32	
Crank 8		p. 32	p. 32	p. 32	p. 32	
Crank 15		p. 32	p. 32	p. 32	p. 32	

FOR CORNER DOORS 110°



Angle 24°÷30°		p. 34	p. 34	p. 34	p. 34	p. 34
Angle 45°		p. 34	p. 34	p. 34	p. 34	p. 34
Angle 90°		p. 34	p. 34	p. 34	p. 34	p. 34

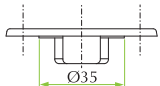
FOR CORNER CABINET 90°



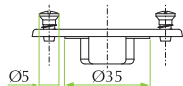
		p. 36	p. 36	p. 36	p. 36	p. 36
--	--	-------	-------	-------	-------	-------



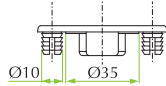
SELFTAPPING SCREW



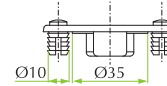
EURO SCREW



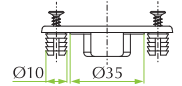
DOWEL



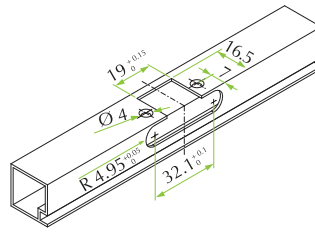
VELOFIX DOWEL



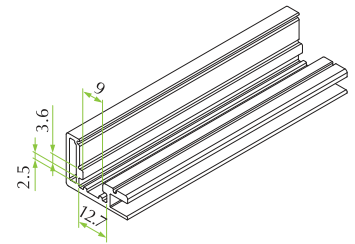
X-PANDO DOWEL



GROOVED PROFILE






LOCK FIXING

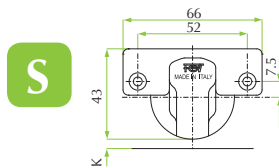


FOR DOORS WITH ALUMINIUM FRAME 105°

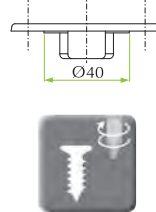


Crank 0		p. 38	p. 40
Crank 8		p. 38	p. 40
Crank 15		p. 38	p. 40

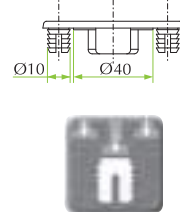
CUP HOLE DISTANCE 52x7.5mm



SELFTAPPING SCREW







DOWEL



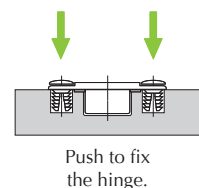
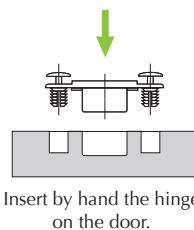
FOR THICK DOORS OPENING 90° Ø40



Crank 0		p. 42	p. 42
Crank 8		p. 42	p. 42
Crank 15		p. 44	p. 44
Crank 22		p. 44	p. 44

ZIP FIXING SYSTEM

The Zip dowels allow a no-tool mounting of the hinge.



The hinges with Zip fixing system are available on demand. Please contact the FGV Customer Service.

Optima Click 110°



Technical specifications:

- Depth of the metal cup 11.3mm
- Cup diameter 35mm
- Opening 110° with (K) max 4mm and (T) max 18mm
- Possibility of door drilling (K) from 3 to 7 mm
- Thickness of the door (T) from 16 to 26 mm
- Genios, SlowMotion Alfa and OneTouch solutions

CRANK 0



CRANK 8



CRANK 15



I
A
D

51.XSH5.05.00.0 ●
51.XSH5.05.00.C ●
51.XSH5.05.00.B ●

51.XSH5.05.08.0 ●
51.XSH5.05.08.C ●
51.XSH5.05.08.B ●

51.XSH5.05.15.0 ●
51.XSH5.05.15.C ●
51.XSH5.05.15.B ●

Available with premounted selftapping screws



I
A
D

51.XSH6.05.00.M ●
51.XSH6.05.00.N ●
51.XSH6.05.00.E ●

51.XSH6.05.08.M ●
51.XSH6.05.08.N ●
51.XSH6.05.08.E ●

51.XSH6.05.15.M ●
51.XSH6.05.15.N ●
51.XSH6.05.15.E ●



I
A
D

51.XSH6.05.00.* ●
51.XSH6.05.00.S ●
51.XSH6.05.00.B ●

51.XSH6.05.08.* ●
51.XSH6.05.08.S ●
51.XSH6.05.08.B ●

51.XSH6.05.15.* ●
51.XSH6.05.15.S ●
51.XSH6.05.15.B ●

* 0 = dowels Ø10mm / D = dowels Ø8mm



I
A
D

51.XSH8.05.00.V ●
51.XSH8.05.00.U ●
51.XSH8.05.00.Z ●

51.XSH8.05.08.V ●
51.XSH8.05.08.U ●
51.XSH8.05.08.Z ●

51.XSH8.05.15.V ●
51.XSH8.05.15.U ●
51.XSH8.05.15.Z ●



I
A
D

51.XSH9.05.00.0 ●
51.XSH9.05.00.S ●
51.XSH9.05.00.B ●

51.XSH9.05.08.0 ●
51.XSH9.05.08.S ●
51.XSH9.05.08.B ●

51.XSH9.05.15.0 ●
51.XSH9.05.15.S ●
51.XSH9.05.15.B ●



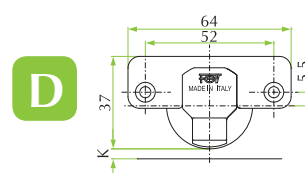
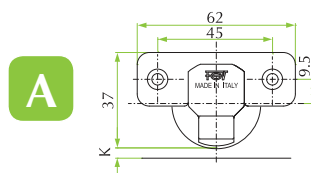
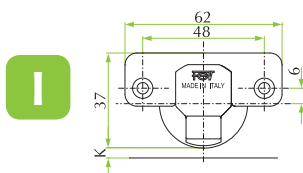
I
A

51.XSHC.05.00.0
51.XSHC.05.00.0

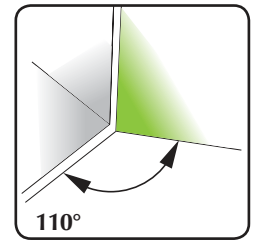
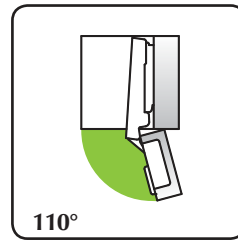
51.XSHC.05.08.0
51.XSHC.05.08.0

51.XSHC.05.15.0
51.XSHC.05.15.0

● = G / Genios Solution



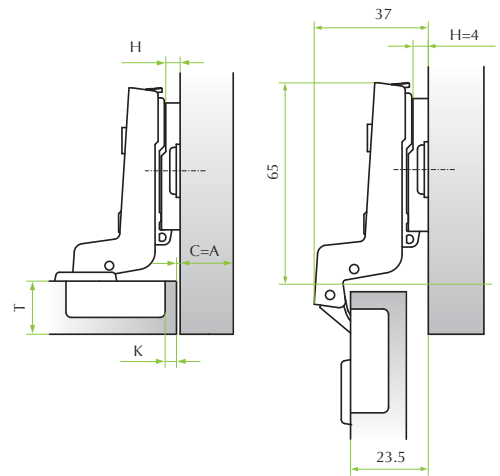
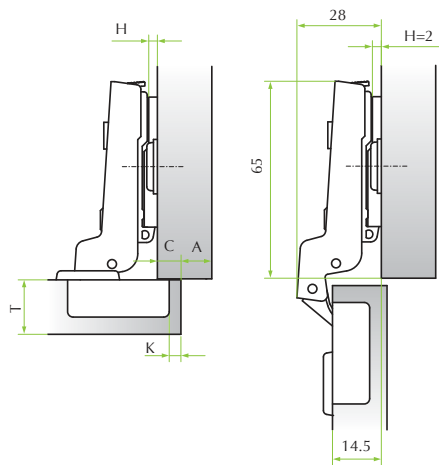
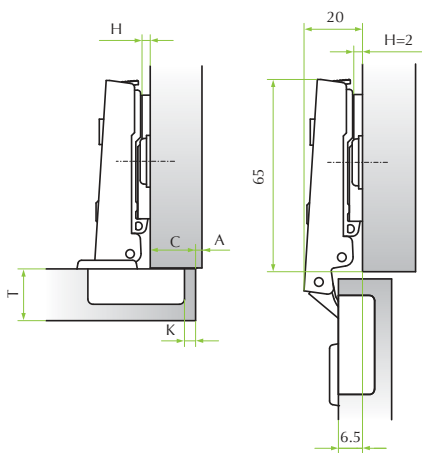
The mounting plates and fittings for this hinge series are shown from page 46 to page 59.



CRANK 0
For lay-on doors

CRANK 8
For partial lay-on doors

CRANK 15
For inset doors



		Drilling distance (K)						
		3	4	5	6	7		
Overlay (C)	19					2		
	18				2			
	17			2		4		
	16		2		4			
	15	2		4		6		
	14		4		6			
	13			6				
	12				6			
	11	6						

Mounting plates (H)

		Drilling distance (K)						
		3	4	5	6	7		
Overlay (C)	11					2		
	10				2			
	9			2		4		
	8		2		4			
	7	2		4		6		
	6		4		6			
	5			6				
	4				6			
	3	6						

Mounting plates (H)

		Drilling distance (K)						
		3	4	5	6	7		
Overlay (C)	0	2		4		6		
	1		4		6			
	2			6				
	3				6			
	4					6		

Mounting plates (H)

Table to determine the minimum distance **A** so that a door with **T** thickness can open without protrusion from the cabinet and without interfering with adjacent doors.

T=		16	17	18	19	20	21	22	23	24	25	26
K=3	A=	0.55	0.75	1.10	1.45	1.80	2.40	3.10	3.90	4.70	6.70	6.50
K=4	A=	0.55	0.70	1.05	1.40	1.75	2.25	2.85	3.60	4.35	5.75	6.00
K=5	A=	0.53	0.70	1.00	1.35	1.65	2.10	2.65	3.30	4.00	4.75	5.55
K=6	A=	0.50	0.70	0.95	1.25	1.60	2.00	2.50	3.05	3.70	4.40	5.20
K=7	A=	0.50	0.65	0.85	1.20	1.55	1.90	2.35	2.85	3.45	4.10	4.80

Optima Click 125°



Technical specifications:

- Depth of the metal cup 11.3mm
- Cup diameter 35mm
- Opening 125° with (K) max 4mm and (T) max 18mm
- Possibility of door drilling (K) from 3 to 5 mm
- Thickness of the door (T) from 16 a 26 mm

CRANK 0



CRANK 8



I
A
D

51.XKH5.M5.00.0

51.XKH5.M5.00.C

51.XKH5.M5.00.B

51.XKH5.M5.08.0

51.XKH5.M5.08.C

51.XKH5.M5.08.B

Available with premounted selftapping screws



I
A
D

51.XKH6.M5.00.M

51.XKH6.M5.00.N

51.XKH6.M5.00.E

51.XKH6.M5.08.M

51.XKH6.M5.08.N

51.XKH6.M5.08.E



I
A
D

51.XKH6.M5.00.*

51.XKH6.M5.00.S

51.XKH6.M5.00.B

51.XKH6.M5.08.*

51.XKH6.M5.08.S

51.XKH6.M5.08.B

* 0 = dowels Ø10mm / D = dowels Ø8mm



I
A
D

51.XKH8.M5.00.V

51.XKH8.M5.00.U

51.XKH8.M5.00.Z

51.XKH8.M5.08.V

51.XKH8.M5.08.U

51.XKH8.M5.08.Z



I
A
D

51.XKH9.M5.00.0

51.XKH9.M5.00.S

51.XKH9.M5.00.B

51.XKH9.M5.08.0

51.XKH9.M5.08.S

51.XKH9.M5.08.B



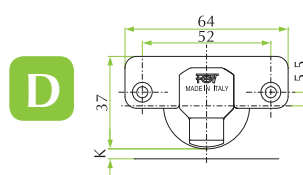
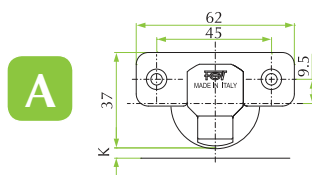
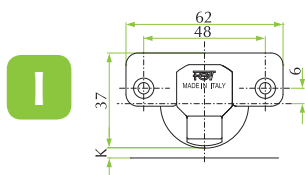
I
A

51.XKHC.05.00.0

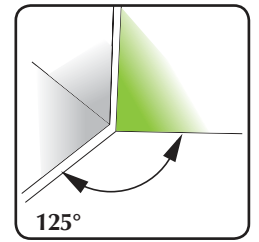
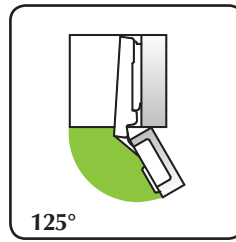
51.XKHC.05.00.0

51.XKHC.05.08.0

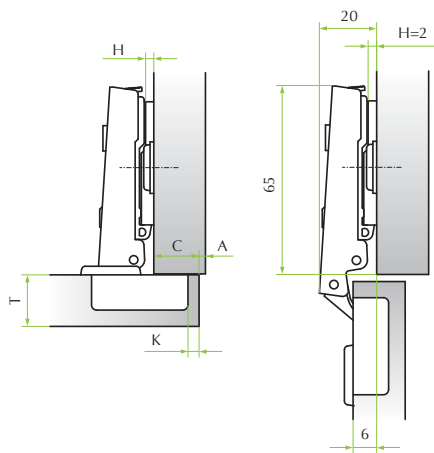
51.XKHC.05.08.0



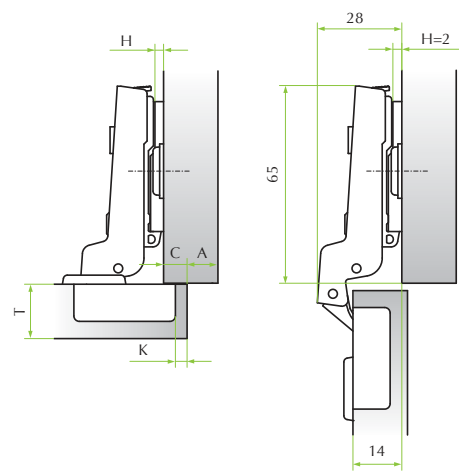
The mounting plates and fittings for this hinge series are shown from page 46 to page 59.



CRANK 0
For lay-on doors



CRANK 8
For partial lay-on doors



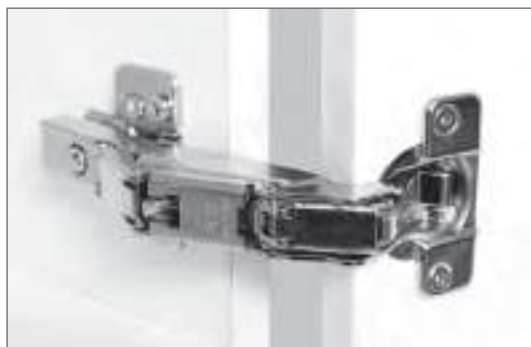
Overlay (C)	Drilling distance (K)						
	3	4	5	6	7		
19					2		
18				2			
17			2		4		
16		2		4			
15	2		4		6		
14		4		6			
13	4		6				
12		6					
11	6						Mounting plates (H)

Overlay (C)	Drilling distance (K)						
	3	4	5	6	7		
11					2		
10				2			
9			2		4		
8		2		4			
7	2		4		6		
6		4		6			
5	4		6				
4		6					
3	6						Mounting plates (H)

Table to determinate the minimum distance **A** so that a door with **T** thickness can open without protrusion from the cabinet and without interfering with adjacent doors.

T=	16	17	18	19	20	21	22	23	24	25	26
K=3 A=	0.90	1.40	1.90	2.40	3.00	3.60	4.25	4.90	5.55	6.20	6.80
K=4 A=	0.85	1.25	1.75	2.25	2.75	3.35	4.00	4.65	5.30	5.95	6.60
K=5 A=	0.80	1.10	1.60	2.10	2.55	3.15	3.75	4.45	5.05	5.70	6.35

Optima Click 175°



Technical specifications:

- Depth of the metal cup 11.3mm
- Cup diameter 35mm
- Opening 175°
- Possibility of door drilling (K) from 3 to 7 mm
- Thickness of the door (T) from 16 to 26 mm
- SlowMotion Delta add-on damper solutions

CRANK 0



CRANK 8



I
A
D

51.XWH5.M5.00.0

51.XWH5.M5.00.C

51.XWH5.M5.00.B

Available with premounted selftapping screws

51.XWH5.M5.08.0

51.XWH5.M5.08.C

51.XWH5.M5.08.B



I
A
D

51.XWH6.M5.00.M

51.XWH6.M5.00.N

51.XWH6.M5.00.E

51.XWH6.M5.08.M

51.XWH6.M5.08.N

51.XWH6.M5.08.E



I
A
D

51.XWH6.M5.00.*

51.XWH6.M5.00.S

51.XWH6.M5.00.B

51.XWH6.M5.08.*

51.XWH6.M5.08.S

51.XWH6.M5.08.B

* 0 = dowels Ø10mm / D = dowels Ø8mm



I
A
D

51.XWH8.M5.00.V

51.XWH8.M5.00.U

51.XWH8.M5.00.Z

51.XWH8.M5.08.V

51.XWH8.M5.08.U

51.XWH8.M5.08.Z



I
A
D

51.XWH9.M5.00.0

51.XWH9.M5.00.S

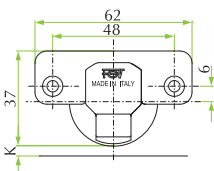
51.XWH9.M5.00.B

51.XWH9.M5.08.0

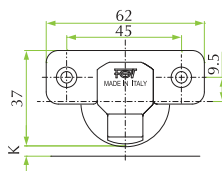
51.XWH9.M5.08.S

51.XWH9.M5.08.B

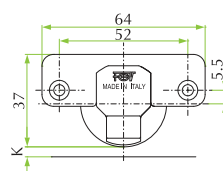
I



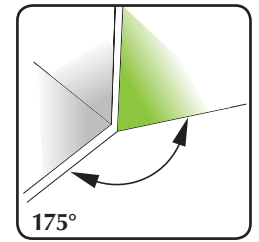
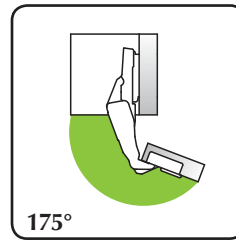
A



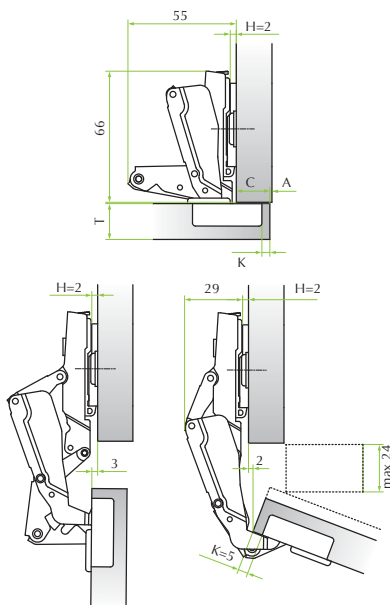
D



The mounting plates and fittings for this hinge series are shown from page 46 to page 59.

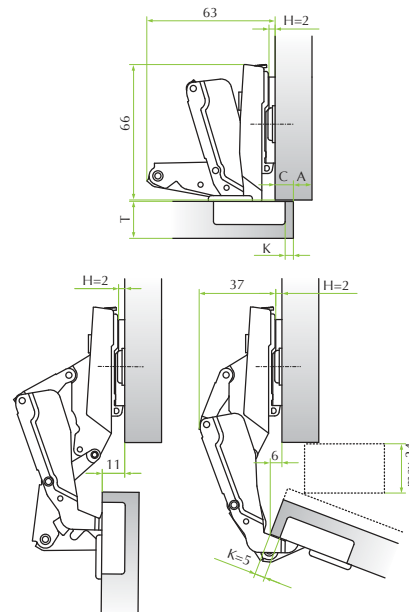


CRANK 0
For lay-on doors



		Drilling distance (K)						
		3	4	5	6	7		
Overlay (C)	19					2		
	18				2			
	17			2		4		
	16		2		4			
	15	2		4		6		
	14		4		6			
	13		4		6			
	12		6					
11	6						Mounting plates (H)	

CRANK 8
For partial lay-on doors



		Drilling distance (K)						
		3	4	5	6	7		
Overlay (C)	11					2		
	10				2			
	9			2		4		
	8		2		4			
	7	2		4		6		
	6		4		6			
	5		4		6			
	4		6					
3	6						Mounting plates (H)	

Table to determine the minimum distance **A** so that a door with **T** thickness can open without protrusion from the cabinet and without interfering with adjacent doors.

T=		16	17	18	19	20	21	22	23	24	25	26
K=3	A=	0.00	0.00	0.00	0.00	0.00	0.00	0.20	0.55	6.80	8.10	13.55
K=4	A=	0.00	0.00	0.00	0.00	0.00	0.05	0.30	3.50	5.85	7.25	12.55
K=5	A=	0.00	0.00	0.00	0.00	0.00	0.05	0.30	3.55	4.90	6.25	11.55
K=6	A=	0.00	0.00	0.00	0.00	0.00	0.05	0.40	3.00	3.90	5.25	10.55
K=7	A=	0.00	0.00	0.00	0.00	0.00	0.05	1.20	2.20	3.15	4.25	9.55

Optima Click 95° Ø35 for thick doors



Technical specifications:

- Depth of the metal cup 12.3mm
- Cup diameter 35mm
- Opening 95°
- Possibility of door drilling (K) from 3 to 7 mm
- Thickness of the door (T) from 16 to 30 mm
- Available only Genios solutions

CRANK 0



CRANK 8



CRANK 15



I
A
D

51.XZH5.05.00.0 ●
51.XZH5.05.00.C ●
51.XZH5.05.00.B ●

51.XZH5.05.08.0 ●
51.XZH5.05.08.C ●
51.XZH5.05.08.B ●

51.XZH5.05.15.0 ●
51.XZH5.05.15.C ●
51.XZH5.05.15.B ●

Available with premounted selftapping screws



I
A
D

51.XZH6.05.00.M ●
51.XZH6.05.00.N ●
51.XZH6.05.00.E ●

51.XZH6.05.08.M ●
51.XZH6.05.08.N ●
51.XZH6.05.08.E ●

51.XZH6.05.15.M ●
51.XZH6.05.15.N ●
51.XZH6.05.15.E ●



I
A
D

51.XZH6.05.00.* ●
51.XZH6.05.00.S ●
51.XZH6.05.00.B ●

51.XZH6.05.08.* ●
51.XZH6.05.08.S ●
51.XZH6.05.08.B ●

51.XZH6.05.15.* ●
51.XZH6.05.15.S ●
51.XZH6.05.15.B ●

* 0 = dowels Ø10mm / D = dowels Ø8mm



I
A
D

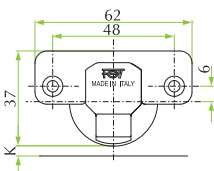
51.XZH8.05.00.V ●
51.XZH8.05.00.U ●
51.XZH8.05.00.Z ●

51.XZH8.05.08.V ●
51.XZH8.05.08.U ●
51.XZH8.05.08.Z ●

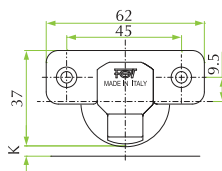
51.XZH8.05.15.V ●
51.XZH8.05.15.U ●
51.XZH8.05.15.Z ●

● = G / Genios Solution

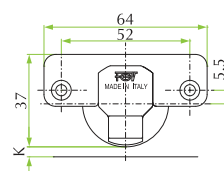
I



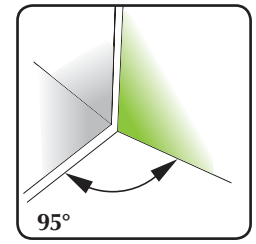
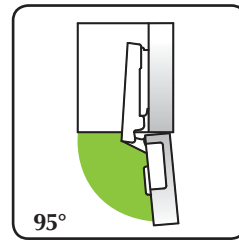
A



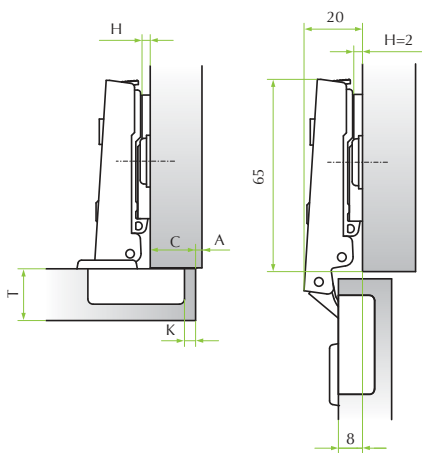
D



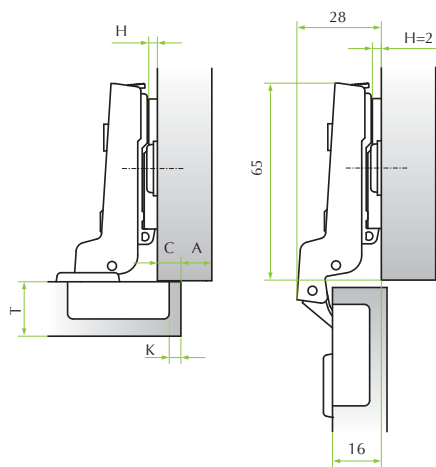
The mounting plates and fittings for this hinge series are shown from page 46 to page 59.



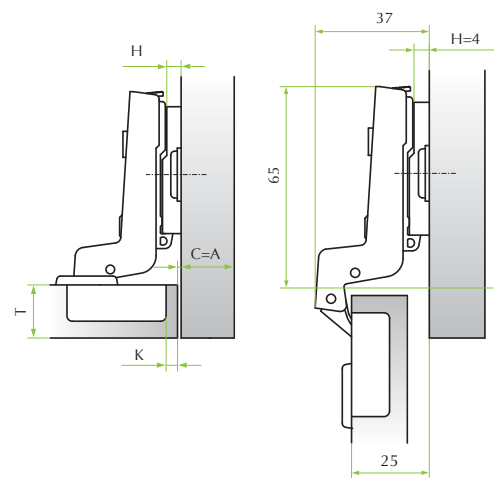
CRANK 0
For lay-on doors



CRANK 8
For partial lay-on doors



CRANK 15
For inset doors



		Drilling distance (K)						
		3	4	5	6	7		
Overlay (C)	19			0	2			
	18		0	2				
	17	0	2	4				
	16	2	4					
	15	4	6					
	14	6						
	13	8						
	12	10						
	11	6						

Mounting plates (H)

		Drilling distance (K)						
		3	4	5	6	7		
Overlay (C)	11			0	2			
	10		0	2				
	9	0	2	4				
	8	2	4					
	7	4	6					
	6	6						
	5	8						
	4	10						
	11	6						

Mounting plates (H)

		Drilling distance (K)						
		3	4	5	6	7		
Overlay (C)	0	2	4	6				
	1	4	6					
	2	6						
	3	8						
	4	10						
	11	6						

Mounting plates (H)

Table to determine the minimum distance A so that a door with T thickness can open without protrusion from the cabinet and without interfering with adjacent doors.

T=	16	17	18	19	20	21	22	23	24	25	26	27	28	29	30
K=3 A=	0.00	0.15	0.35	0.50	0.70	0.85	1.15	1.65	2.55	3.40	4.30	5.20	6.15	7.10	8.00
K=4 A=	0.00	0.15	0.30	0.50	0.65	0.85	1.10	1.40	2.10	2.90	3.80	4.65	5.50	6.45	7.40
K=5 A=	0.00	0.15	0.30	0.50	0.65	0.80	1.00	1.35	1.75	2.50	3.30	4.15	5.00	5.90	6.75
K=6 A=	0.00	0.10	0.30	0.45	0.65	0.80	1.00	1.30	1.65	2.15	2.90	3.65	4.50	5.40	6.05
K=7 A=	0.00	0.10	0.30	0.45	0.60	0.80	0.95	1.25	1.60	1.90	2.55	3.30	4.05	4.90	5.75

Optima Click 110° for corner doors



Technical specifications:

- Depth of the metal cup 11.3mm
- Cup diameter 35mm
- Opening 110°
- Possibility of door drilling (K) from 3 to 7 mm
- Thickness of the door (T) from 16 to 26 mm
- Genios, SlowMotion Alfa and OneTouch solutions

ANGLE 24°÷30°



ANGLE 45°



ANGLE 90°



I
A
D

51.XH85.05.30.0 ●
51.XH85.05.30.C ●
51.XH85.05.30.B ●

51.XH85.05.45.0 ●
51.XH85.05.45.C ●
51.XH85.05.45.B ●

51.XH85.M5.90.0 ●
51.XH85.M5.90.C ●
51.XH85.M5.90.B ●

Available with premounted selftapping screws



I
A
D

51.XH86.05.30.M ●
51.XH86.05.30.N ●
51.XH86.05.30.E ●

51.XH86.05.45.M ●
51.XH86.05.45.N ●
51.XH86.05.45.E ●

51.XH86.M5.90.M ●
51.XH86.M5.90.N ●
51.XH86.M5.90.E ●



I
A
D

51.XH86.05.30.* ●
51.XH86.05.30.S ●
51.XH86.05.30.B ●

51.XH86.05.45.* ●
51.XH86.05.45.S ●
51.XH86.05.45.B ●

51.XH86.M5.90.* ●
51.XH86.M5.90.S ●
51.XH86.M5.90.B ●

* 0 = dowels Ø10mm / D = dowels Ø8mm



I
A
D

51.XH88.05.30.V ●
51.XH88.05.30.U ●
51.XH88.05.30.Z ●

51.XH88.05.45.V ●
51.XH88.05.45.U ●
51.XH88.05.45.Z ●

51.XH88.M5.90.V ●
51.XH88.M5.90.U ●
51.XH88.M5.90.Z ●



I
A
D

51.XH89.05.30.0 ●
51.XH89.05.30.S ●
51.XH89.05.30.B ●

51.XH89.05.45.0 ●
51.XH89.05.45.S ●
51.XH89.05.45.B ●

51.XH89.M5.90.0 ●
51.XH89.M5.90.S ●
51.XH89.M5.90.B ●



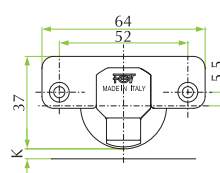
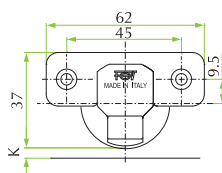
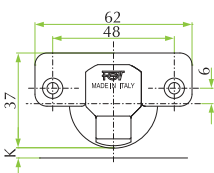
I
A

51.XH8C.05.30.0
51.XH8C.05.30.0

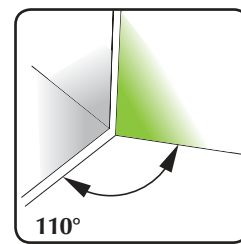
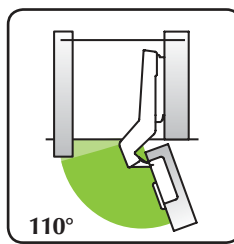
51.XH8C.05.45.0
51.XH8C.05.45.0

51.XH8C.M5.90.0
51.XH8C.M5.90.0

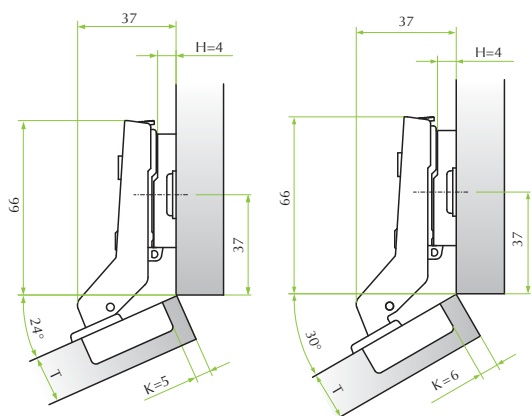
● = G / Genios Solution



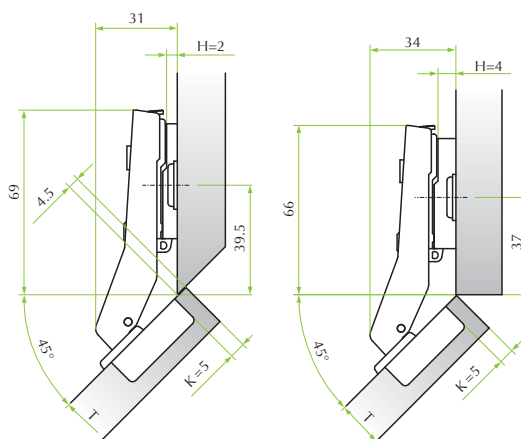
The mounting plates and fittings for this hinge series are shown on page 46 to page 59.



ANGLE 24°÷30°



ANGLE 45°



ANGLE 90°

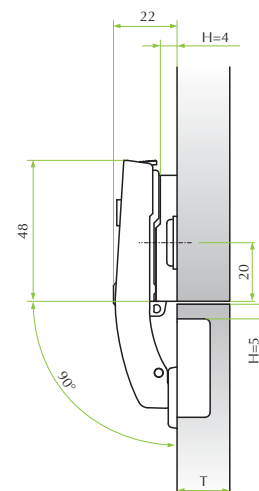


Table to determine the minimum distance **A** so that a door with **T** thickness can open without protrusion from the cabinet and without interfering with adjacent doors.

T=	16	17	18	19	20	21	22	23	24	25	26
K=3 A=	0.55	0.75	1.10	1.45	1.80	2.40	3.10	3.90	4.70	6.70	6.50
K=4 A=	0.55	0.70	1.05	1.40	1.75	2.25	2.85	3.60	4.35	5.75	6.00
K=5 A=	0.53	0.70	1.00	1.35	1.65	2.10	2.65	3.30	4.00	4.75	5.55
K=6 A=	0.50	0.70	0.95	1.25	1.60	2.00	2.50	3.05	3.70	4.40	5.20
K=7 A=	0.50	0.65	0.85	1.20	1.55	1.90	2.35	2.85	3.45	4.10	4.80

Optima Click for corner cabinet 90°



Technical specifications:

- Depth of the metal cup 11.3mm
- Cup diameter 35mm
- Opening 20° with (K) max 4mm e (T) max 18mm
- Possibility of door drilling (K) from 3 to 7 mm
- Thickness of the door (T) from 16 to 26 mm



I
A
D

51.XH83.05.35.0

51.XH83.05.35.C

51.XH83.05.35.B

Available with premounted selftapping screws



I
A
D

51.XH84.05.35.M

51.XH84.05.35.N

51.XH84.05.35.E



I
A
D

51.XH84.05.35.*

51.XH84.05.35.S

51.XH84.05.35.B

* 0 = dowels Ø10mm / D = dowels Ø8mm



I
A
D

51.XH88.05.35.V

51.XH88.05.35.U

51.XH88.05.35.Z

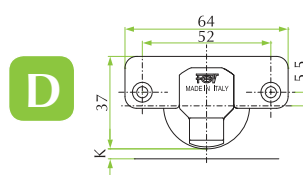
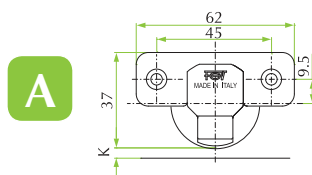
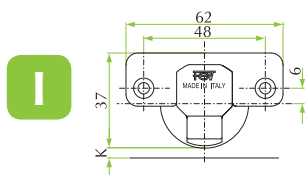


I
A
D

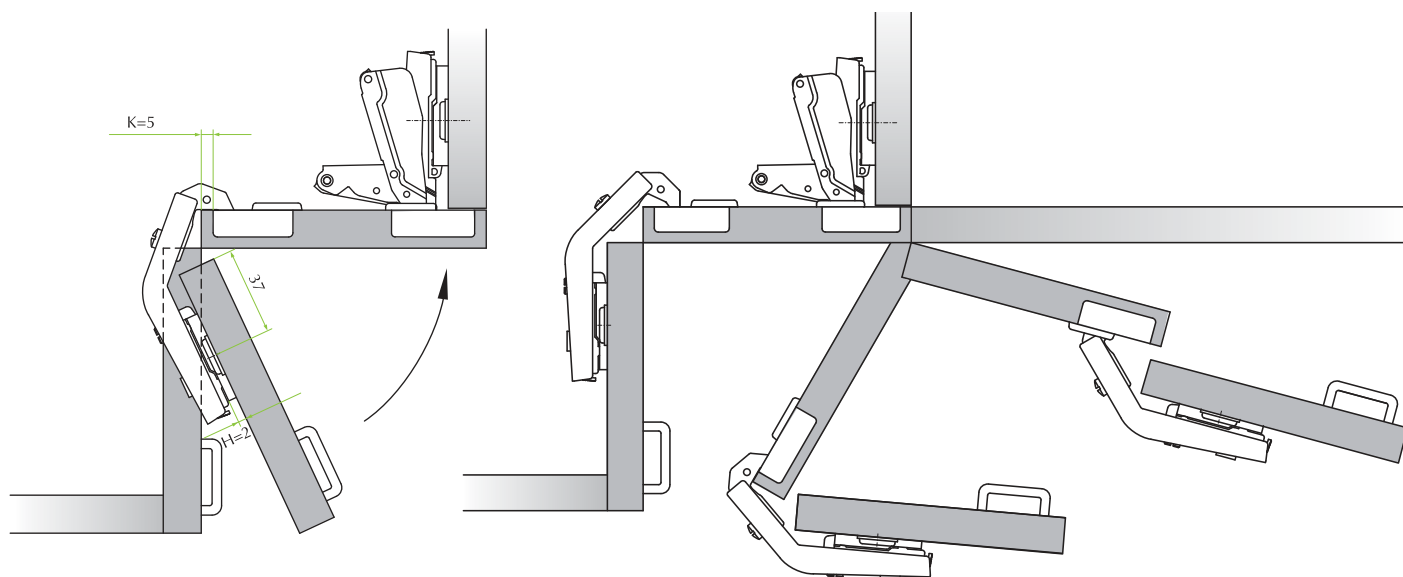
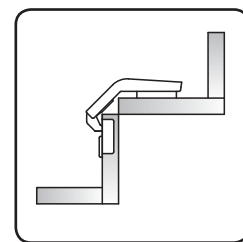
51.XH89.05.35.0

51.XH89.05.35.S

51.XH89.05.35.B



The mounting plates and fittings for this hinge series are shown from page 46 to page 59.



Optima Click 105° for doors with aluminium frame



Technical specifications:

- Depth of the zamak cup 9.9mm
- Cup drilling 28x7mm
- Opening 105°
- Aluminium frame from min. 19 to max 25 mm
- OneTouch solutions

FIXING FOR GROOVED PROFILE

CRANK 0



51.XS91.05.00.0 ●

CRANK 8



51.XS91.05.08.0 ●

CRANK 15

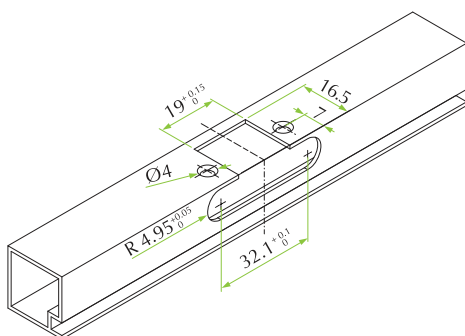


51.XS91.05.15.0 ●

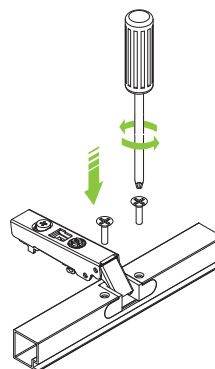
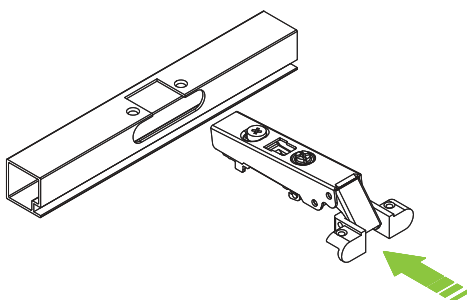
● = G / Genios Solution

Drilling holes:

The two laterals drillings are $\varnothing 4$ mm and are countersunk with 120°.
Screws $\varnothing 3.5 \times 12$ mm supplied on demand under code 1A05512105000.



Assembly instructions:



The mounting plates and fittings for this hinge series are shown from page 46 to page 59.

Optima Click 105° for doors with aluminium frame



Technical specifications:

- Depth of the zamak cup 9.9mm
- Opening 105°
- Aluminium frame from min. 19 to max 25 mm

LOCK FIXING

CRANK 0



51.XS81.05.00.0

CRANK 8



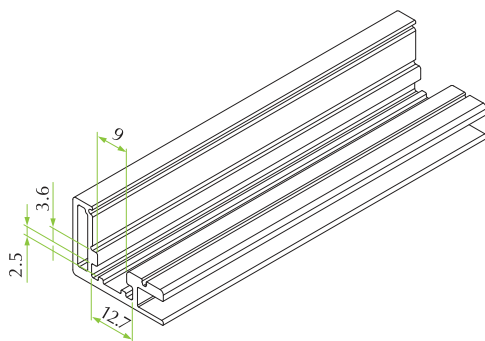
51.XS81.05.08.0

CRANK 15

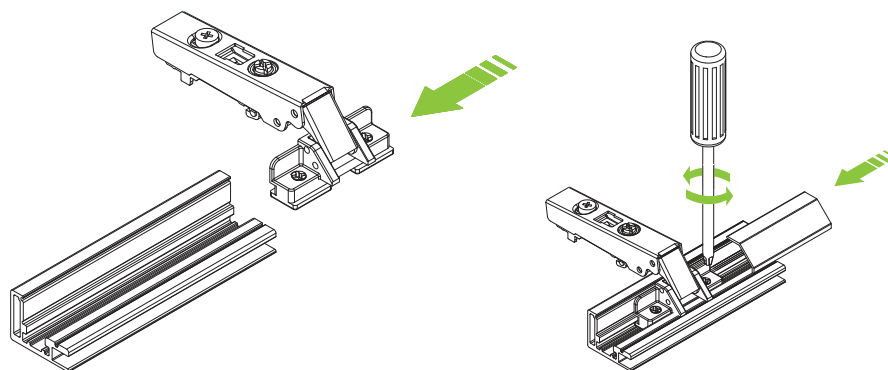


51.XS81.05.15.0

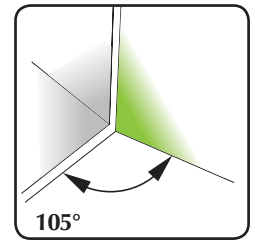
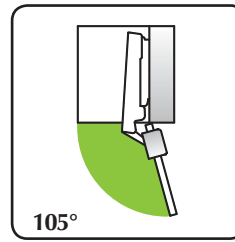
Aluminium frame:



Assembly instructions:



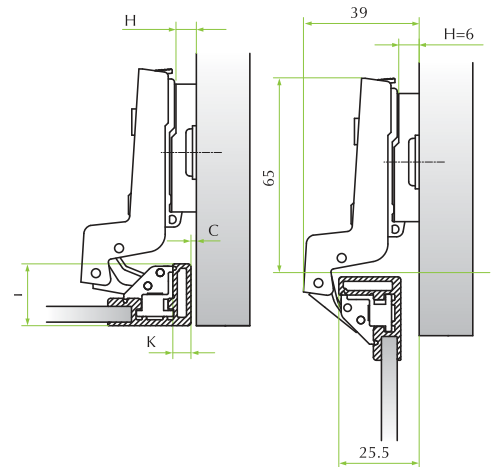
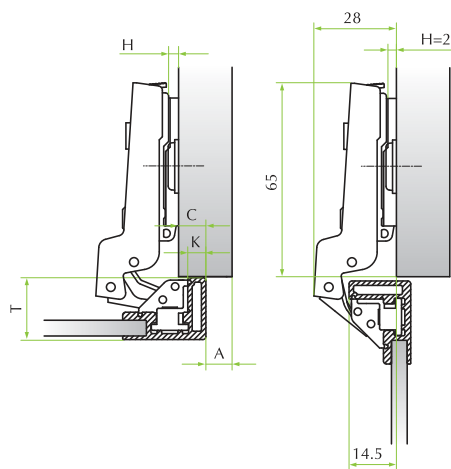
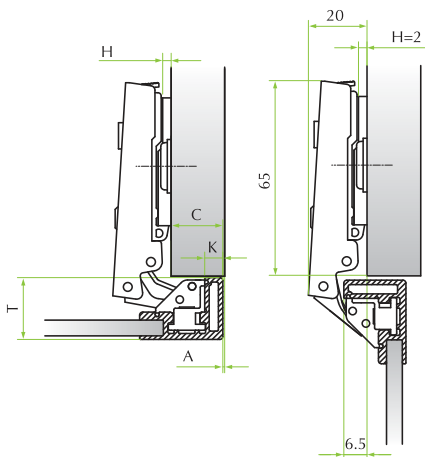
The mounting plates and fittings for this hinge series are shown from page 46 to page 59.



CRANK 0
For lay-on doors

CRANK 8
For partial lay-on doors

CRANK 15
For inset doors



		Drilling distance (K)						
		3	4	5	6	7		
Overlay (C)	19					2		
	18				2			
	17			2		4		
	16		2		4			
	15	2		4		6		
	14		4		6			
	13			4		6		
	12				6			
11	6							

Mounting plates (H)

		Drilling distance (K)						
		3	4	5	6	7		
Overlay (C)	11					2		
	10				2			
	9			2		4		
	8		2		4			
	7	2		4		6		
	6		4		6			
	5			4		6		
	4				6			
3	6							

Mounting plates (H)

		Drilling distance (K)						
		3	4	5	6	7		
Overlay (C)	0	2		4		6		
	1		4		6			
	2			4		6		
	3				4	6		
	4						4	6

Mounting plates (H)

Table to determine the minimum distance **A** so that a door with **T** thickness can open without protrusion from the cabinet and without interfering with adjacent doors.

T=		16	17	18	19	20	21	22	23	24	25	26
K=3	A=	0.55	0.75	1.10	1.45	1.80	2.40	3.10	3.90	4.70	6.70	6.50
K=4	A=	0.55	0.70	1.05	1.40	1.75	2.25	2.85	3.60	4.35	5.75	6.00
K=5	A=	0.53	0.70	1.00	1.35	1.65	2.10	2.65	3.30	4.00	4.75	5.55
K=6	A=	0.50	0.70	0.95	1.25	1.60	2.00	2.50	3.05	3.70	4.40	5.20
K=7	A=	0.50	0.65	0.85	1.20	1.55	1.90	2.35	2.85	3.45	4.10	4.80

Optima Click 90° Ø40 for thick doors



Technical specifications:

- Depth of the metal cup 12.8mm
- Cup diameter 40mm
- Opening 90°
- Possibility of door drilling (K) from 3 to 15 mm
- Thickness of the door (T) from 16 to 40 mm
- OneTouch solutions

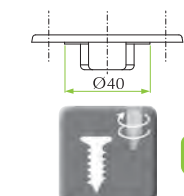
CRANK 0



CRANK 8



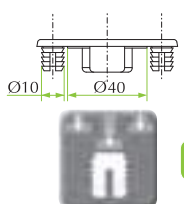
CRANKS 15, 22 TO PAGE 44 >>>



S

51.XH45.05.00.0

51.XH45.05.08.0

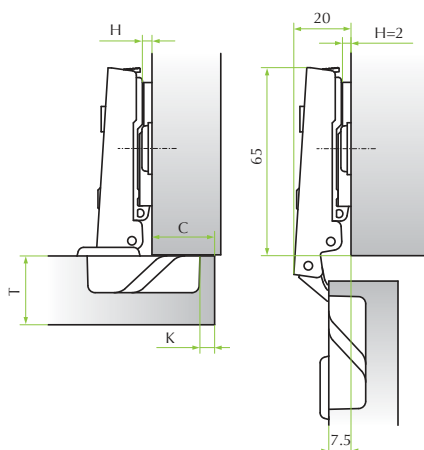


S

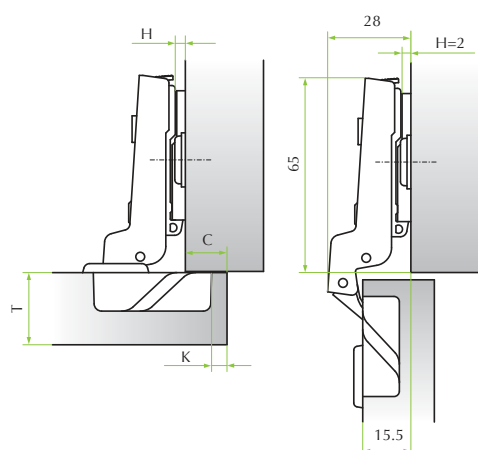
51.XH46.05.00.0

51.XH46.05.08.0

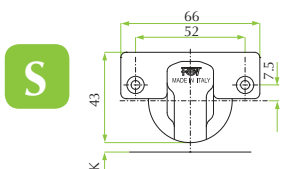
CRANK 0
For lay-on doors



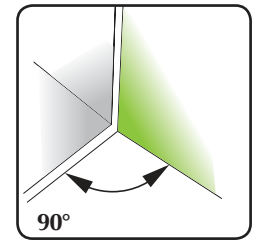
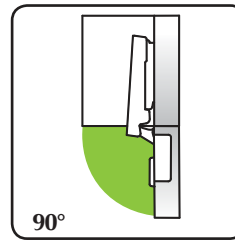
CRANK 8
For partial lay-on doors



CUP HOLE DISTANCE 52x7.5mm



The mounting plates and fittings for this hinge series are shown from page 46 to page 59.



CRANK 0
For lay-on doors

		Drilling distance (K)													
		4	5	6	7	8	9	10	11	12	13	14	15		
Overlay (C)	32										0		2		
	31									0		2			
	30								0		2		4		
	29							0		2		4			
	28					0		2		4		6			
	27				0		2		4		6				
	26			0		2		4		6					
	25		0		2		4		6						
	24	0		2		4		6							
	23	0	2		4		6								
	22	2		4		6									
	21	2	4		6										
	20	4		6											
	19	4	6												
	18	6													
17	6														
Mounting plates (H)															

CRANK 8
For partial lay-on doors

		Drilling distance (K)													
		4	5	6	7	8	9	10	11	12	13	14	15		
Overlay (C)	24										0		2		
	23									0		2			
	22								0		2		4		
	21							0		2		4			
	20					0		2		4		6			
	19				0		2		4		6				
	18			0		2		4		6					
	17		0		2		4		6						
	16	0		2		4		6							
	15	0	2		4		6								
	14	2		4		6									
	13	2	4		6										
	12	4		6											
	11	4	6												
	10	6													
9	6														
Mounting plates (H)															

Table to determinate the minimum distance **A** so that a door with **T** thickness can open without protrusion from the cabinet and without interfering with adjacent doors.

T=	20	21	22	23	24	25	26	27	28	29	30	31	32	33	34	35	36	37	38	39	40
K=3 A=	0.20	0.35	0.55	0.70	0.90	1.05	1.25	1.40	1.60	2.25	3.20	4.15	5.05	6.05	7.00	8.00	9.00	9.95	10.95	11.95	12.95
K=4 A=	0.20	0.35	0.50	0.70	0.85	1.05	1.20	1.40	1.55	1.75	2.55	3.45	4.40	5.35	6.30	7.25	8.15	9.15	10.15	11.10	12.10
K=5 A=	0.15	0.35	0.50	0.70	0.85	1.05	1.20	1.40	1.55	1.70	2.05	2.80	3.75	4.70	5.65	6.55	7.50	8.45	9.40	10.35	11.25
K=6 A=	0.15	0.30	0.50	0.65	0.85	1.00	1.20	1.35	1.55	1.70	2.00	2.30	3.10	4.05	4.95	5.90	6.85	7.80	8.75	9.65	10.60
K=7 A=	0.15	0.30	0.50	0.65	0.85	1.00	1.15	1.35	1.50	1.70	1.90	2.25	2.60	3.50	4.35	5.25	6.20	7.15	8.05	9.00	9.95
K=8 A=	0.10	0.30	0.45	0.65	0.80	1.00	1.15	1.35	1.50	1.70	1.85	2.20	2.55	3.00	3.85	4.70	5.60	6.50	7.40	8.35	9.30
K=9 A=	0.10	0.25	0.45	0.60	0.80	0.95	1.15	1.30	1.50	1.65	1.85	2.15	2.50	2.80	3.35	4.20	5.10	5.95	6.80	7.70	8.65
K=10 A=	0.10	0.25	0.45	0.60	0.80	0.95	1.15	1.30	1.50	1.65	1.85	2.10	2.40	2.75	3.10	3.70	4.60	5.45	6.30	7.20	8.05
K=11 A=	0.05	0.25	0.40	0.60	0.75	0.95	1.10	1.30	1.45	1.60	1.80	2.00	2.35	2.70	3.05	3.40	4.10	4.95	5.80	6.70	7.55
K=12 A=	0.05	0.25	0.40	0.60	0.75	0.90	1.10	1.25	1.45	1.60	1.80	1.95	2.30	2.65	3.00	3.35	3.75	4.50	5.30	6.20	7.05
K=13 A=	0.05	0.20	0.40	0.55	0.75	0.90	1.10	1.25	1.45	1.60	1.80	1.95	2.25	2.60	2.90	3.25	3.60	4.15	4.90	5.70	6.55
K=14* A=	0.05	0.20	0.40	0.55	0.70	0.90	1.05	1.25	1.40	1.60	1.75	1.95	2.10	2.50	2.85	3.20	3.55	3.90	4.55	5.35	6.05
K=15* A=	0.00	0.20	0.35	0.55	0.70	0.90	1.05	1.25	1.40	1.55	1.75	1.90	2.10	2.45	2.80	3.15	3.50	3.85	4.25	4.95	5.75

* L= 0,77 • L= 1,76

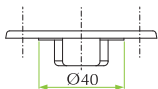
Optima Click 90° Ø40 for thick doors



<<< CRANK 0, 8
TO PAGE 42

CRANK 15

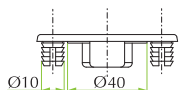
CRANK 22



S

51.XH45.05.15.0

51.XH45.05.22.0



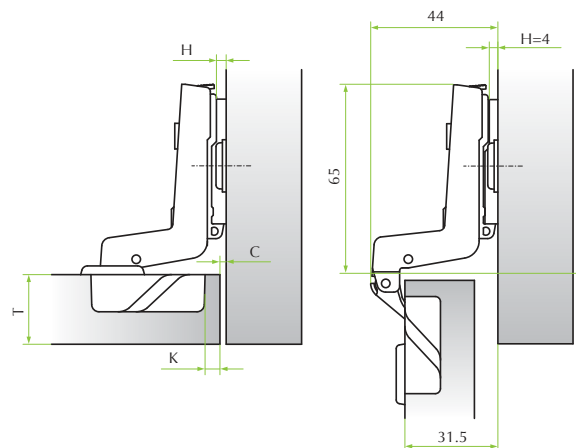
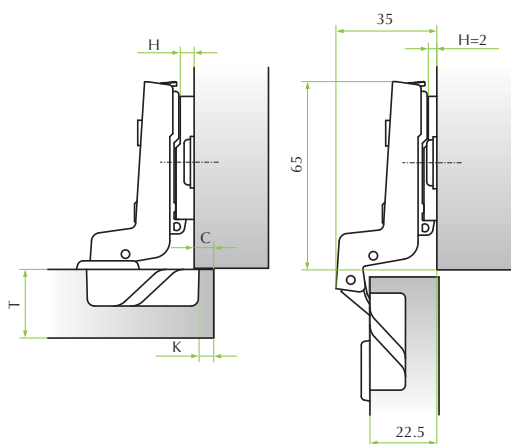
S

51.XH46.05.15.0

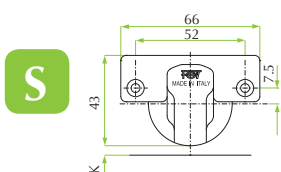
51.XH46.05.22.0

CRANK 15
For partial lay-on doors

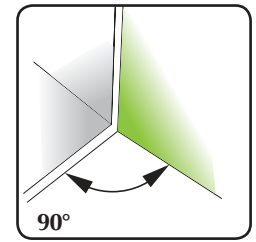
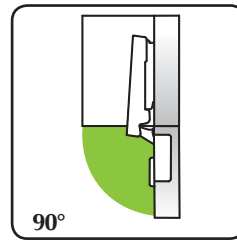
CRANK 22
For inset doors



CUP HOLE DISTANCE 52x7.5mm



The mounting plates and fittings for this hinge series are shown from page 46 to page 59.



CRANK 15
For partial lay-on doors

		Drilling distance (K)													
		4	5	6	7	8	9	10	11	12	13	14	15		
Overlay (C)	17										0	2			
	16									0	2				
	15								0	2	4				
	14							0	2	4	6				
	13					0	2	4	6						
	12				0	2	4	6							
	11			0	2	4	6								
	10		0	2	4	6									
	9	0	2	4	6										
	8	0	2	4	6										
	7	2	4	6											
	6	2	4	6											
	5	4	6												
	4	4	6												
	3	6													
2	6														

Mounting plates (H)

CRANK 22
For inset doors

		Drilling distance (K)											
		4	5	6	7	8	9	10	11	12			
Overlay (C)	0	2	4	6									
	1	2	4	6									
	2	4	6										
	3	4	6										
	4	6											
	5	6											
	6												
	7												

Mounting plates (H)

Table to determinate the minimum distance **A** so that a door with **T** thickness can open without protrusion from the cabinet and without interfering with adjacent doors.

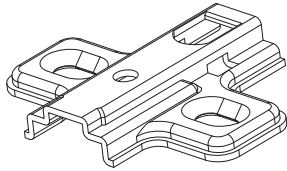
T=	20	21	22	23	24	25	26	27	28	29	30	31	32	33	34	35	36	37	38	39	40
K=3 A=	0.20	0.35	0.55	0.70	0.90	1.05	1.25	1.40	1.60	2.25	3.20	4.15	5.05	6.05	7.00	8.00	9.00	9.95	10.95	11.95	12.95
K=4 A=	0.20	0.35	0.50	0.70	0.85	1.05	1.20	1.40	1.55	1.75	2.55	3.45	4.40	5.35	6.30	7.25	8.15	9.15	10.15	11.10	12.10
K=5 A=	0.15	0.35	0.50	0.70	0.85	1.05	1.20	1.40	1.55	1.70	2.05	2.80	3.75	4.70	5.65	6.55	7.50	8.45	9.40	10.35	11.25
K=6 A=	0.15	0.30	0.50	0.65	0.85	1.00	1.20	1.35	1.55	1.70	2.00	2.30	3.10	4.05	4.95	5.90	6.85	7.80	8.75	9.65	10.60
K=7 A=	0.15	0.30	0.50	0.65	0.85	1.00	1.15	1.35	1.50	1.70	1.90	2.25	2.60	3.50	4.35	5.25	6.20	7.15	8.05	9.00	9.95
K=8 A=	0.10	0.30	0.45	0.65	0.80	1.00	1.15	1.35	1.50	1.70	1.85	2.20	2.55	3.00	3.85	4.70	5.60	6.50	7.40	8.35	9.30
K=9 A=	0.10	0.25	0.45	0.60	0.80	0.95	1.15	1.30	1.50	1.65	1.85	2.15	2.50	2.80	3.35	4.20	5.10	5.95	6.80	7.70	8.65
K=10 A=	0.10	0.25	0.45	0.60	0.80	0.95	1.15	1.30	1.50	1.65	1.85	2.10	2.40	2.75	3.10	3.70	4.60	5.45	6.30	7.20	8.05
K=11 A=	0.05	0.25	0.40	0.60	0.75	0.95	1.10	1.30	1.45	1.60	1.80	2.00	2.35	2.70	3.05	3.40	4.10	4.95	5.80	6.70	7.55
K=12 A=	0.05	0.25	0.40	0.60	0.75	0.90	1.10	1.25	1.45	1.60	1.80	1.95	2.30	2.65	3.00	3.35	3.75	4.50	5.30	6.20	7.05
K=13 A=	0.05	0.20	0.40	0.55	0.75	0.90	1.10	1.25	1.45	1.60	1.80	1.95	2.25	2.60	2.90	3.25	3.60	4.15	4.90	5.70	6.55
K=14*A=	0.05	0.20	0.40	0.55	0.70	0.90	1.05	1.25	1.40	1.60	1.75	1.95	2.10	2.50	2.85	3.20	3.55	3.90	4.55	5.35	6.05
K=15*A=	0.00	0.20	0.35	0.55	0.70	0.90	1.05	1.25	1.40	1.55	1.75	1.90	2.10	2.45	2.80	3.15	3.50	3.85	4.25	4.95	5.75

* L= 0,77 • L= 1,76

Series Optima Click

HOW TO CHOOSE YOUR MOUNTING PLATE

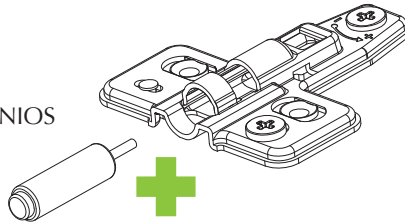
OPTIMA STANDARD MOUNTING PLATE



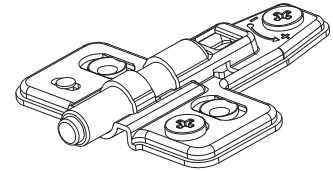
GENIOS R OPTIMA RETROFIT MOUNTING PLATE



OPTIMA GENIOS DAMPER



GENIOS G OPTIMA INTEGRATED MOUNTING PLATE



Genios Optima damper for Genios Optima Retrofit mounting plate.

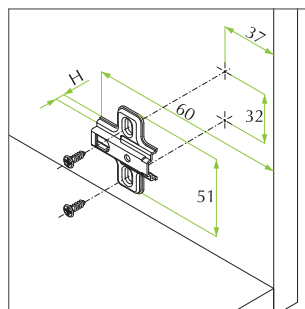


Code

4H.0LAM.GU.X5.0CF

Metal cruciform mounting plate. Selftapping screw fixing. Vertical adjustment.
Screws are provided on demand.

37



Height

H=2

H=4

H=6

Material

Steel

Steel

Steel

Code

52.0401.M5.02.0

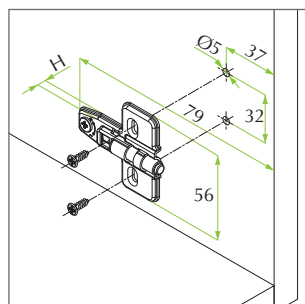
52.0401.M5.04.0

52.0401.M5.06.0

Metal cruciform mounting plate. Selftapping screw fixing. Vertical adjustment.
Screws are provided on demand.



37



Height

H=2

H=4

Material

Steel

Steel

Code

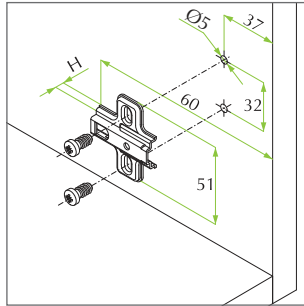
52.0401.M5.02.0 ●

52.0401.M5.04.0 ●

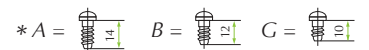
● = G / Genios Integrated Solution
R / Genios Retrofit Solution

Metal cruciform mounting plate. Euro screws premounted. Vertical adjustment.

37

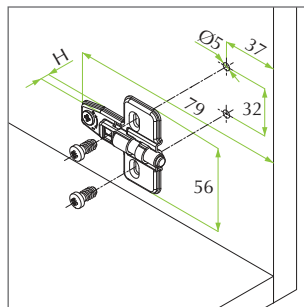


Height	Material	Code
H=2	Steel	52.0416.M5.02.*
H=4	Steel	52.0416.M5.04.*
H=6	Steel	52.0416.M5.06.*
H=10	Zamak	52.0416.05.10.*



Metal cruciform mounting plate. Euro screws premounted. Vertical adjustment.

37

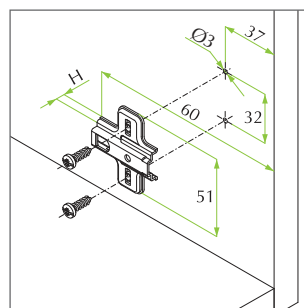


Height	Material	Code
H=2	Steel	52.0416.M5.02.*
H=4	Steel	52.0416.M5.04.*



Metal cruciform mounting plate. Premounted selftapping screws Ø4.7mm. Vertical adjustment.

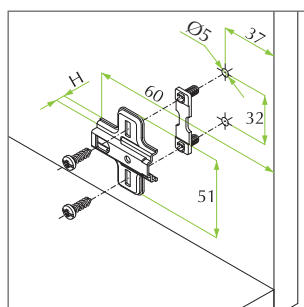
37



Height	Material	Code
H=2	Steel	52.04G5.M5.02.0
H=4	Steel	52.04G5.M5.04.0
H=6	Steel	52.04G5.M5.06.0

Metal cruciform mounting plate. Fixing by expanding X-Pando dowels Ø5mm. Vertical adjustment.

37

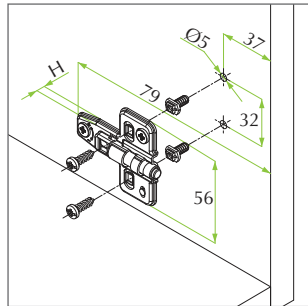


Height	Material	Code
H=2	Steel	52.04N5.M5.02.*
H=4	Steel	52.04N5.M5.04.*
H=6	Steel	52.04N5.M5.06.*



Series Optima Click

Metal cruciform mounting plate. Fixing by expanding X-Pando dowels Ø5mm. Vertical adjustment.



Height

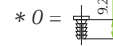
H=2
H=4

Material

Steel
Steel

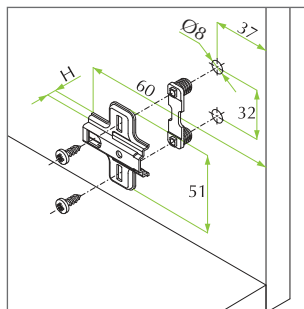
Code

52.04N5.M5.02.*
52.04N5.M5.04.*



● = G / Genios Integrated Solution
R / Genios Retrofit Solution

Metal cruciform mounting plate. Knock-in fixing with dowels Ø8mm. Vertical adjustment.



Height

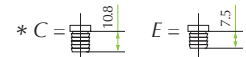
H=2
H=4
H=6

Material

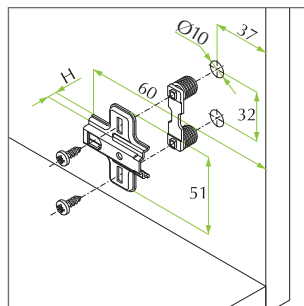
Steel
Steel
Steel

Code

52.04*5.M5.02.0
52.04*5.M5.04.0
52.04*5.M5.06.0



Metal cruciform mounting plate. Knock-in fixing with dowels Ø10mm. Vertical adjustment.



Height

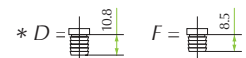
H=2
H=4
H=6

Material

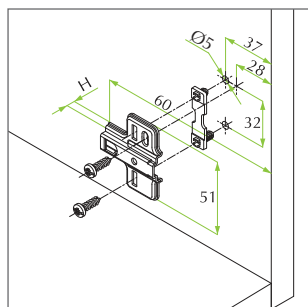
Steel
Steel
Steel

Code

52.04*5.M5.02.0
52.04*5.M5.04.0
52.04*5.M5.06.0



Asymmetric mounting plate for central panel. Fixing by dowels and premounted selftapping screws. Vertical adjustment.



Height

H=2
H=4

Material

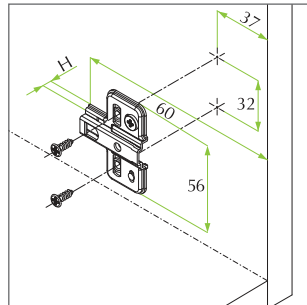
Steel
Steel

Code

52.54N7.M5.02.0
52.54N7.M5.04.0

Metal cruciform mounting plate. Selftapping screw fixing. Independent vertical adjustment with CAM.
Screws are provided on demand.

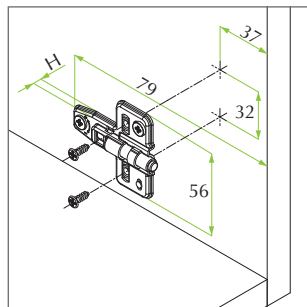
37



Height	Material	Code
H=2	Steel	52.R444.L5.02.0
H=4	Steel	52.R444.L5.04.0

Metal cruciform mounting plate. Selftapping screw fixing. Independent vertical adjustment with CAM.
Screws are provided on demand.

37

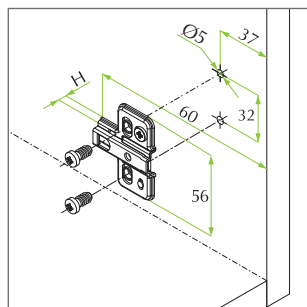


Height	Material	Code
H=2	Steel	52.R444.L5.02.0
H=4	Steel	52.R444.L5.04.0

= G / Genios Integrated Solution
R / Genios Retrofit Solution

Metal cruciform mounting plate. Euro screws premounted. Independent vertical adjustment with CAM.

37

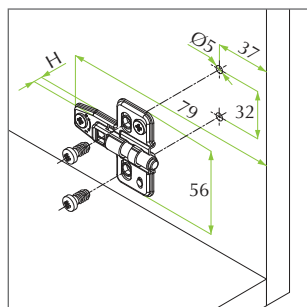


Height	Material	Code
H=2	Steel	52.R447.L5.02.*
H=4	Steel	52.R447.L5.04.*

* A = B = G =

Metal cruciform mounting plate. Euro screws premounted. Independent vertical adjustment with CAM.

37



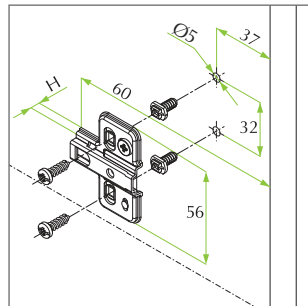
Height	Material	Code
H=2	Steel	52.R447.L5.02.*
H=4	Steel	52.R447.L5.04.*

* A = B = G = = G / Genios Integrated Solution
R / Genios Retrofit Solution

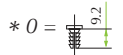
Series Optima Click

Metal cruciform mounting plate. Fixing by expanding X-Pando dowels Ø5mm. Independent vertical adjustment with CAM.

37



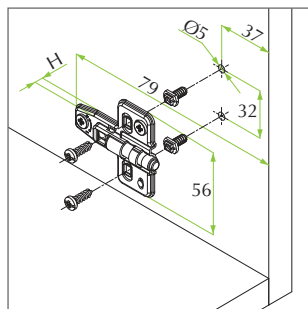
Height	Material	Code
H=2	Steel	52.R4N5.L5.02.*
H=4	Steel	52.R4N5.L5.04.*



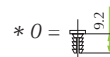
Metal cruciform mounting plate. Fixing by expanding X-Pando dowels Ø5mm. Independent vertical adjustment with CAM.



37



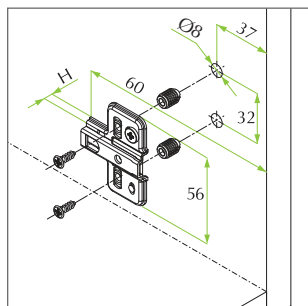
Height	Material	Code
H=2	Steel	52.R4N5.L5.02.* ●
H=4	Steel	52.R4N5.L5.04.* ●



● = G / Genios Integrated Solution
R / Genios Retrofit Solution

Metal cruciform mounting plate. Knock-in fixing with dowels Ø8mm. Independent vertical adjustment with CAM.

37

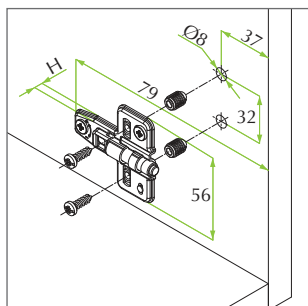


Height	Material	Code
H=2	Steel	52.R445.L5.02.0
H=4	Steel	52.R445.L5.04.0

Metal cruciform mounting plate. Knock-in fixing with dowels Ø8mm. Independent vertical adjustment with CAM.



37

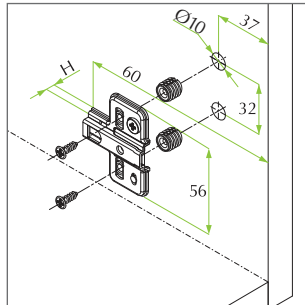


Height	Material	Code
H=2	Steel	52.R445.L5.02.0 ●
H=4	Steel	52.R445.L5.04.0 ●

● = G / Genios Integrated Solution
R / Genios Retrofit Solution

Metal cruciform mounting plate. Knock-in fixing with dowels Ø10mm. Independent vertical adjustment with CAM.

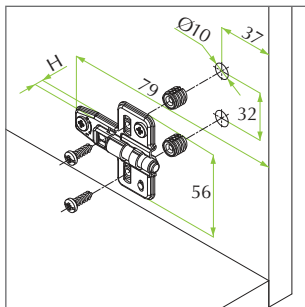
37



Height	Material	Code
H=2	Steel	52.R446.L5.02.0
H=4	Steel	52.R446.L5.04.0

Metal cruciform mounting plate. Knock-in fixing with dowels Ø10mm. Independent vertical adjustment with CAM.

37

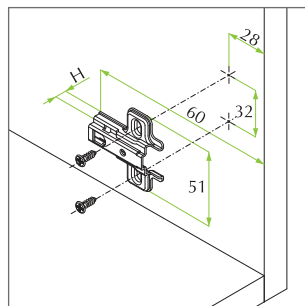


Height	Material	Code
H=2	Steel	52.R446.L5.02.0
H=4	Steel	52.R446.L5.04.0

= G / Genios Integrated Solution
R / Genios Retrofit Solution

Metal cruciform mounting plate. Selftapping screw fixing. Vertical adjustment. Screws are provided on demand.

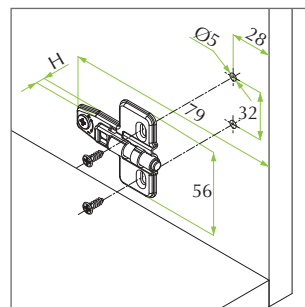
28



Height	Material	Code
H=4	Steel	52.0422.M5.04.0

Metal cruciform mounting plate. Selftapping screw fixing. Vertical adjustment. Screws are provided on demand.

28



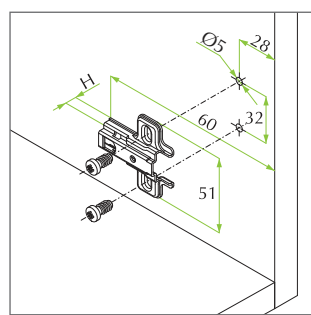
Height	Material	Code
H=2	Steel	52.0422.05.02.0
H=4	Steel	52.0422.05.04.0

= G / Genios Integrated Solution
R / Genios Retrofit Solution

Series Optima Click

Metal cruciform mounting plate. Euro screws premounted. Vertical adjustment.

28

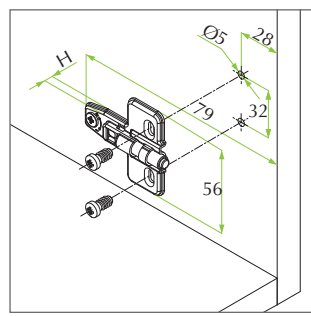


Height	Material	Code
H=4	Steel	52.0421.M5.04.*

* A = B = G =

Metal cruciform mounting plate. Euro screws premounted. Vertical adjustment.

28

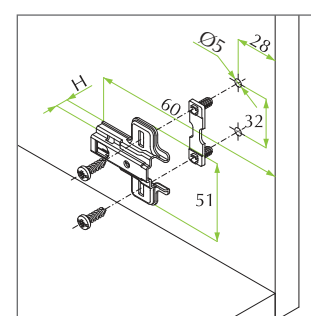


Height	Material	Code
H=2	Steel	52.0421.05.02.*
H=4	Steel	52.0421.05.04.*

* A = B = G = = G / Genios Integrated Solution
R / Genios Retrofit Solution

Metal cruciform mounting plate. Fixing by expanding X-Pando dowels Ø5mm. Vertical adjustment.

28

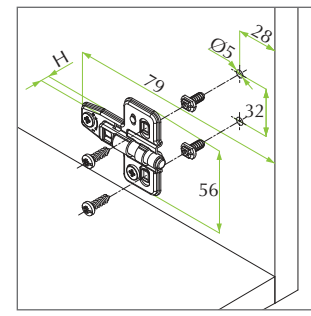


Height	Material	Code
H=4	Steel	52.04N1.M5.04.*

* 0 = 2 =

Metal cruciform mounting plate. Fixing by expanding X-Pando dowels Ø5mm. Vertical adjustment.

28

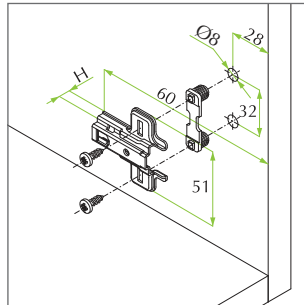


Height	Material	Code
H=2	Steel	52.04N1.05.02.*
H=4	Steel	52.04N1.05.04.*

* 0 = = G / Genios Integrated Solution
R / Genios Retrofit Solution

Metal cruciform mounting plate. Knock-in fixing with dowels Ø8mm. Vertical adjustment.
Not compatible with SlowMotion solutions.

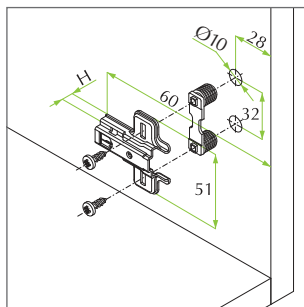
28



Height	Material	Code
H=4	Steel	52.04C1.M5.04.0

Metal cruciform mounting plate. Knock-in fixing with dowels Ø10mm. Vertical adjustment.

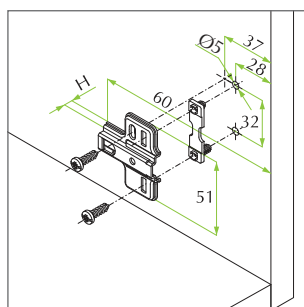
28



Height	Material	Code
H=4	Steel	52.04D1.M5.04.0

Asymmetric mounting plate for central panel. Fixing by dowels and premounted selftapping screws. Vertical adjustment.

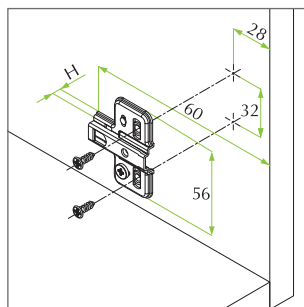
28



Height	Material	Code
H=2	Steel	52.54N3.M5.02.0
H=4	Steel	52.54N3.M5.04.0

Metal cruciform mounting plate. Selftapping screw fixing. Independent vertical adjustment with CAM.
Screws are provided on demand.

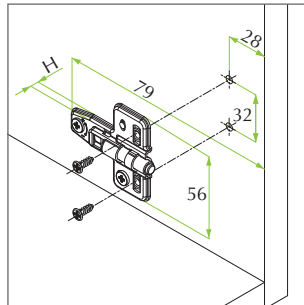
28



Height	Material	Code
H=2	Steel	52.R464.L5.02.0
H=4	Steel	52.R464.L5.04.0

Series Optima Click

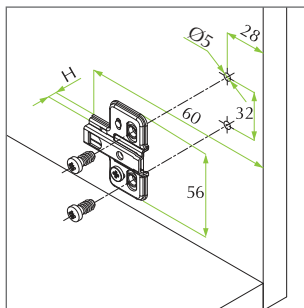
Metal cruciform mounting plate. Selftapping screw fixing. Independent vertical adjustment with CAM.
Screws are provided on demand.



Height	Material	Code
H=2	Steel	52.R464.L5.02.0
H=4	Steel	52.R464.L5.04.0

= G / Genios Integrated Solution
R / Genios Retrofit Solution

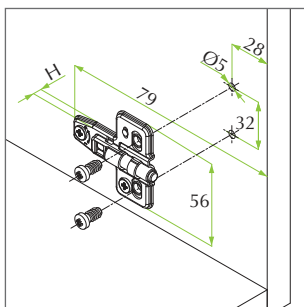
Metal cruciform mounting plate. Euro screws premounted. Independent vertical adjustment with CAM.



Height	Material	Code
H=2	Steel	52.R467.L5.02.*
H=4	Steel	52.R467.L5.04.*

* A = B = G =

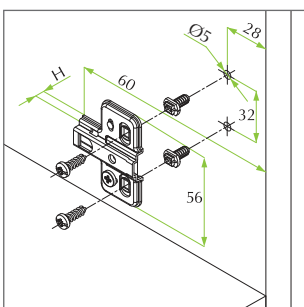
Metal cruciform mounting plate. Euro screws premounted. Independent vertical adjustment with CAM.



Height	Material	Code
H=2	Steel	52.R467.L5.02.*
H=4	Steel	52.R467.L5.04.*

* A = B = G = = G / Genios Integrated Solution
R / Genios Retrofit Solution

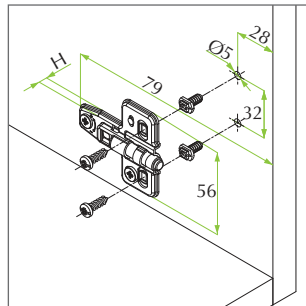
Metal cruciform mounting plate. Fixing by expanding X-Pando dowels Ø5mm. Independent vertical adjustment with CAM.



Height	Material	Code
H=2	Steel	52.R4N1.L5.02.*
H=4	Steel	52.R4N1.L5.04.*

* O =

Metal cruciform mounting plate. Fixing by expanding X-Pando dowels Ø5mm. Independent vertical adjustment with CAM.

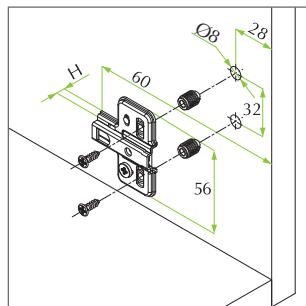


Height	Material	Code
H=2	Steel	52.R4N1.L5.02.* ●
H=4	Steel	52.R4N1.L5.04.* ●

* 0 = 9.2

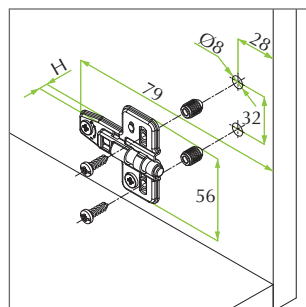
● = G / Genios Integrated Solution
R / Genios Retrofit Solution

Metal cruciform mounting plate. Knock-in fixing with dowels Ø8mm. Independent vertical adjustment with CAM.



Height	Material	Code
H=2	Steel	52.R465.L5.02.0
H=4	Steel	52.R465.L5.04.0

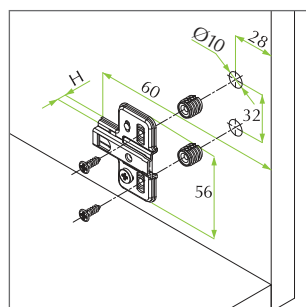
Metal cruciform mounting plate. Knock-in fixing with dowels Ø8mm. Independent vertical adjustment with CAM.



Height	Material	Code
H=2	Steel	52.R465.L5.02.0 ●
H=4	Steel	52.R465.L5.04.0 ●

● = G / Genios Integrated Solution
R / Genios Retrofit Solution

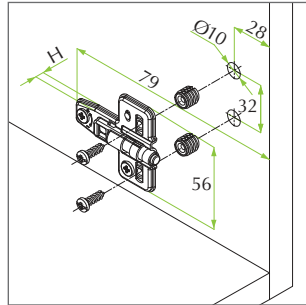
Metal cruciform mounting plate. Knock-in fixing with dowels Ø10mm. Independent vertical adjustment with CAM.



Height	Material	Code
H=2	Steel	52.R466.L5.02.0
H=4	Steel	52.R466.L5.04.0

Series Optima Click

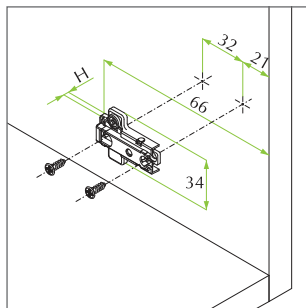
Metal cruciform mounting plate. Knock-in fixing with dowels Ø10mm. Independent vertical adjustment with CAM.



Height	Material	Code
H=2	Steel	52.R466.L5.02.0
H=4	Steel	52.R466.L5.04.0

= G / Genios Integrated Solution
 = R / Genios Retrofit Solution

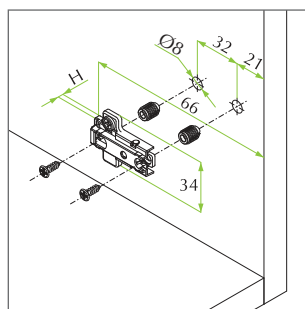
Zamak linear mounting plate. Selftapping screw fixing 3.5x15mm. Independent vertical adjustment with CAM.
 Screws are provided on demand (code 1A03050418000).



Height	Material	Code
H=3	Zamak	52.0448.R5.03.0
H=5	Zamak	52.0448.R5.05.0*

* Mounting plate provided on demand for minimum quantity ordered

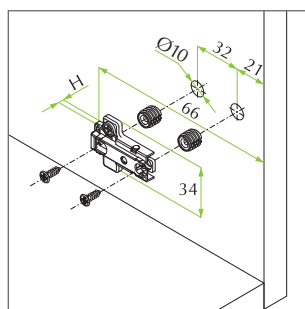
Zamak linear mounting plate. Knock-in fixing with dowels Ø8mm. Independent vertical adjustment with CAM.



Height	Material	Code
H=3	Zamak	52.0449.R5.03.0
H=5	Zamak	52.0449.R5.05.0*

* Mounting plate provided on demand for minimum quantity ordered

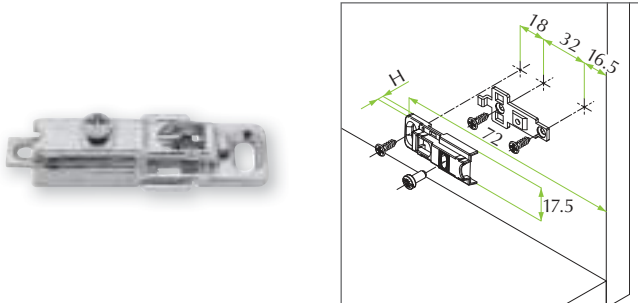
Zamak linear mounting plate. Knock-in fixing with dowels Ø10mm. Independent vertical adjustment with CAM.



Height	Material	Code
H=3	Zamak	52.0450.R5.03.0
H=5	Zamak	52.0450.R5.05.0*

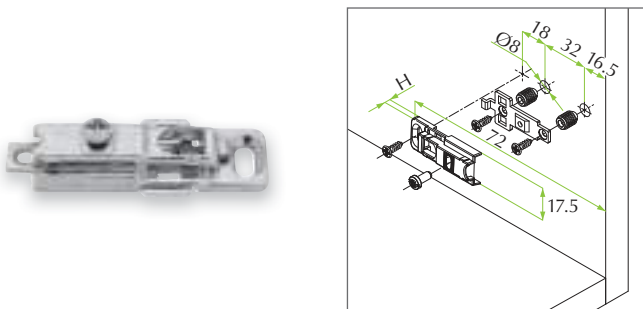
* Mounting plate provided on demand for minimum quantity ordered

Zamak linear mounting plate. Selftapping screw fixing 3.5x15mm. Vertical adjustment.
Screws are provided on demand (code 1A03050418000).



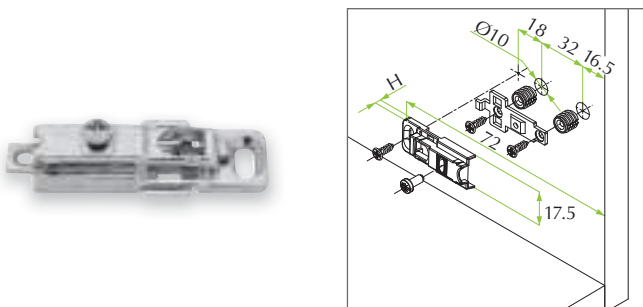
Height	Material	Code
H=2	Zamak	52.0408.05.02.000

Zamak linear mounting plate. Knock-in fixing with dowels Ø8mm. Vertical adjustment.



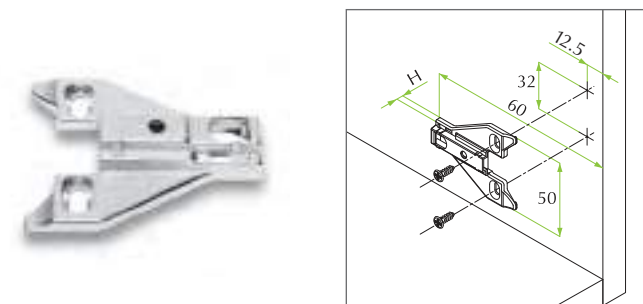
Height	Material	Code
H=2	Zamak	52.0409.05.02.000

Zamak linear mounting plate. Knock-in fixing with dowels Ø10mm. Vertical adjustment.



Height	Material	Code
H=2	Zamak	52.0410.05.02.000

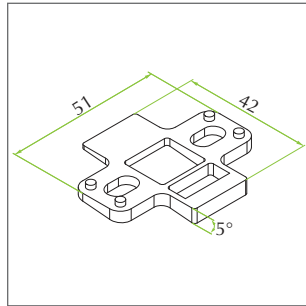
Zamak mounting plate. Selftapping screw fixing. Vertical adjustment.
Screws are provided on demand.



Height	Material	Code
H=2	Zamak	52.0432.05.02.0
H=5	Zamak	52.0432.05.05.0

Series Optima Click

Spacer for mounting plates.



Material	Code
Nylon	52.0SP6.06.05.000

Stackable to get multiples of 5°.

Hinge arm cover.



Material	Code
Plastic	51.0M.00010.0000
Steel	51.0Y.00050.00000N
Steel with FGV logo*	51.0YFGV.5.0000000

*Customer logo on demand.

Steel cover for hinge box.



Cup hole dist.	Material	Code
48-45	Steel	510C000500000
52	Steel	510C000500B00

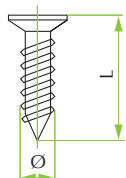
Ø35mm cover.



Material	Code
Nylon	5307C3**00000

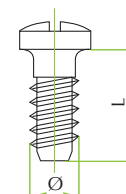
** Colour code: A1 = White RAL 9010 / A2 = Brown RAL 8016 / C6 = Grey RAL 7004 / 0I = Painted matt aluminium

Selftapping screws with Pozi drive head, nickel for hinge and mounting plate fixing.



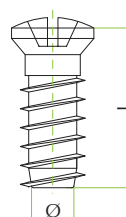
Ø	Length	Material	Code
4	12.5	Steel	1A035034150CF
4	15.5	Steel	1A035034250CF

Euro screws with Pozi drive head, nickel for mounting plate fixing.



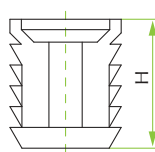
Ø	Length	Material	Code
6.3	10	Steel	1A075029350CF
6.3	12	Steel	1A075108250CF
6.3	14	Steel	1A075108150CF

Euro screws with Pozi drive head, nickel for hinge fixing.



Ø	Length	Material	Code
6.3	12	Steel	1A075130050CF

Dowel in nylon for hinge fixing.



Ø	Height	Material	Code
10	12	Nylon	2H011070530CF
8	11	Nylon	2H000449003CF