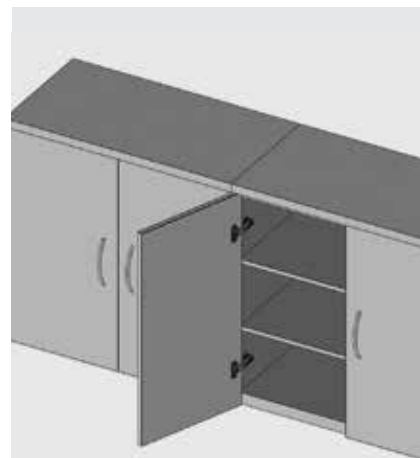


hinge systems

Star Track Push-Open Hinge without Spring






- Opening Angle : 110°
 - Cup Diameter : 35 mm
 - Cup Depth : 11,2 mm
 - Hinge Body : Steel
 - Hinge Cup : Steel
 - Crank Type : 0-9-18 mm
 - Finish : Nickel
 - Depth Adj. : ±3 mm
 - Packaging : 250 Pieces
- Tool free and simple assembling and disassembling of the cabinet doors. Only one touch on the Track mechanism is enough to release and fix the cabinet doors.



| Cranking Crank 0 | |
|---|-----------|
| Code List According to Cup Connection Types | |
| DEFINITION | CODE |
| 45 Axis | 10180041 |
| 45 Axis Ø8 Dowel | 101800411 |
| 45 Axis Ø10 Dowel | 101800412 |
| 45 Axis Euro Screw | 101800413 |
| 48 Axis | 10180042 |
| 48 Axis Ø8 Dowel | 101800421 |
| 48 Axis Ø10 Dowel | 101800422 |
| 48 Axis Euro Screw | 101800423 |
| 52 Axis | 10180043 |
| 52 Axis Ø8 Dowel | 101800431 |
| 52 Axis Ø10 Dowel | 101800432 |
| 52 Axis Euro Screw | 101800433 |

| Cranking Crank 9 | |
|---|-----------|
| Code List According to Cup Connection Types | |
| DEFINITION | CODE |
| 45 Axis | 10180051 |
| 45 Axis Ø8 Dowel | 101800511 |
| 45 Axis Ø10 Dowel | 101800512 |
| 45 Axis Euro Screw | 101800513 |
| 48 Axis | 10180052 |
| 48 Axis Ø8 Dowel | 101800521 |
| 48 Axis Ø10 Dowel | 101800522 |
| 48 Axis Euro Screw | 101800523 |
| 52 Axis | 10180053 |
| 52 Axis Ø8 Dowel | 101800531 |
| 52 Axis Ø10 Dowel | 101800532 |
| 52 Axis Euro Screw | 101800533 |

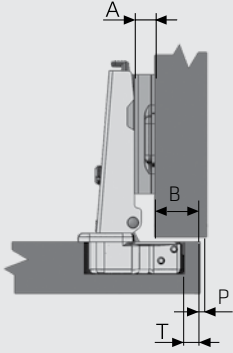
| Cranking Crank 18 | |
|---|-----------|
| Code List According to Cup Connection Types | |
| DEFINITION | CODE |
| 45 Axis | 10180061 |
| 45 Axis Ø8 Dowel | 101800611 |
| 45 Axis Ø10 Dowel | 101800612 |
| 45 Axis Euro Screw | 101800613 |
| 48 Axis | 10180062 |
| 48 Axis Ø8 Dowel | 101800621 |
| 48 Axis Ø10 Dowel | 101800622 |
| 48 Axis Euro Screw | 101800623 |
| 52 Axis | 10180063 |
| 52 Axis Ø8 Dowel | 101800631 |
| 52 Axis Ø10 Dowel | 101800632 |
| 52 Axis Euro Screw | 101800633 |

| Screw Options | |
|----------------------------|---|
| Ø3,5x16 mm Chipboard Screw |  |
| Euro Screw |  |
| Ø8-10 mm Plastic Dowel |  |

| Page Directions | |
|------------------------------|---------------|
| Mounting Plates | Page 156, 159 |
| Mechanisms | Page 169, 175 |
| Distances | Page 176, 177 |
| Decorative Covers | Page 178 |
| Assembly | Page 184 |
| Dimension Charts and Symbols | Page 186 |

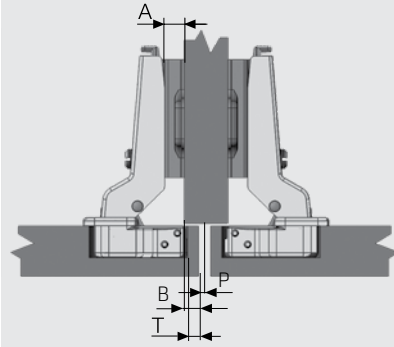
Cranking

Crank 0



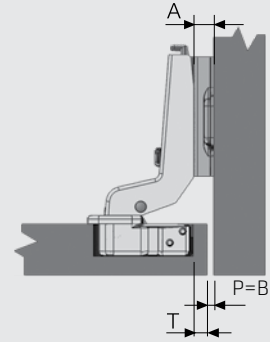
Cranking

Crank 9



Cranking

Crank 18



A - Mounting Plate

| | | 5 | 7 | 9 |
|-------------|----|---|------------------|---|
| B - Overlay | 12 | | | 3 |
| | 13 | | | 4 |
| | 14 | | 3 | 5 |
| | 15 | | 4 | 6 |
| | 16 | 3 | 5 | 7 |
| | 17 | 4 | 6 | |
| | 18 | 5 | 7 | |
| | 19 | 6 | | |
| | 20 | 7 | | |
| | | | T - Cup Distance | |

A - Mounting Plate

| | | 5 | 7 | 9 | |
|-------------|----|---|------------------|---|--|
| B - Overlay | 3 | | | 3 | |
| | 4 | | | 4 | |
| | 5 | | 3 | 5 | |
| | 6 | | 4 | 6 | |
| | 7 | 3 | 5 | 7 | |
| | 8 | 4 | 6 | | |
| | 9 | 5 | 7 | | |
| | 10 | 6 | | | |
| | 11 | 7 | | | |
| | | | T - Cup Distance | | |

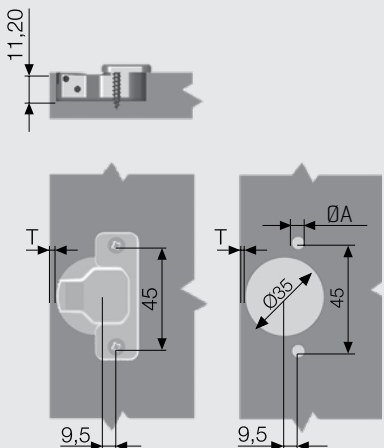
A - Mounting Plate

| | | 5 | 7 | 9 | |
|-------------|---|---|------------------|---|--|
| B - Overlay | 6 | | | 3 | |
| | 5 | | | 4 | |
| | 4 | | 3 | 5 | |
| | 3 | | 4 | 6 | |
| | 2 | 3 | 5 | 7 | |
| | 1 | 4 | 6 | | |
| | 0 | 5 | 7 | | |
| | | | T - Cup Distance | | |

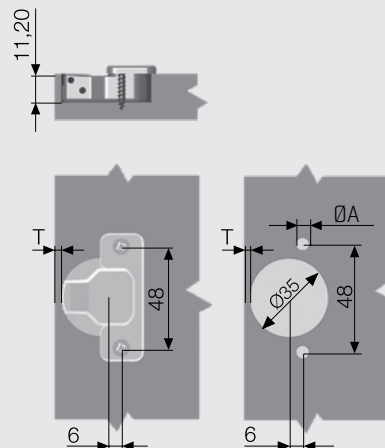
Min. Reveal for Doors [P]

| K | 16 | 17 | 18 | 19 | 20 | 21 | 22 | 23 | 24 | 25 | 26 |
|-----|------|------|------|------|------|------|------|------|------|------|------|
| T=3 | 0.72 | 0.98 | 1.29 | 1.65 | 2.08 | 2.59 | 3.21 | 3.93 | 4.72 | 5.54 | 6.39 |
| T=4 | 0.69 | 0.94 | 1.23 | 1.57 | 1.97 | 2.44 | 2.98 | 3.62 | 4.34 | 5.12 | 5.93 |
| T=5 | 0.67 | 0.91 | 1.18 | 1.51 | 1.88 | 2.31 | 2.81 | 3.39 | 4.04 | 4.76 | 5.52 |
| T=6 | 0.65 | 0.87 | 1.14 | 1.45 | 1.80 | 2.21 | 2.67 | 3.19 | 3.79 | 4.45 | 5.17 |
| T=7 | 0.62 | 0.84 | 1.10 | 1.40 | 1.73 | 2.11 | 2.55 | 3.04 | 3.59 | 4.20 | 4.87 |

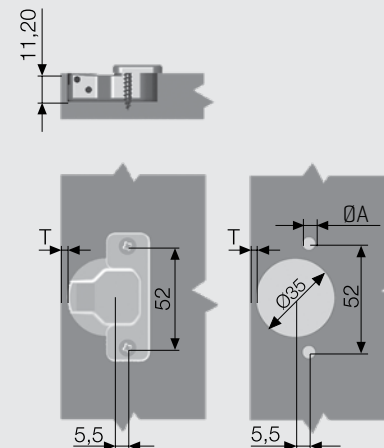
Cup Dimensions 45 mm



Cup Dimensions 48 mm



Cup Dimensions 52 mm



ØA [mm] = Chipboard Screw; Ø2,5x5 / Euro Screw; Ø5x12 / {Ø8-Ø10} Dowel; {Ø8-Ø10}x12