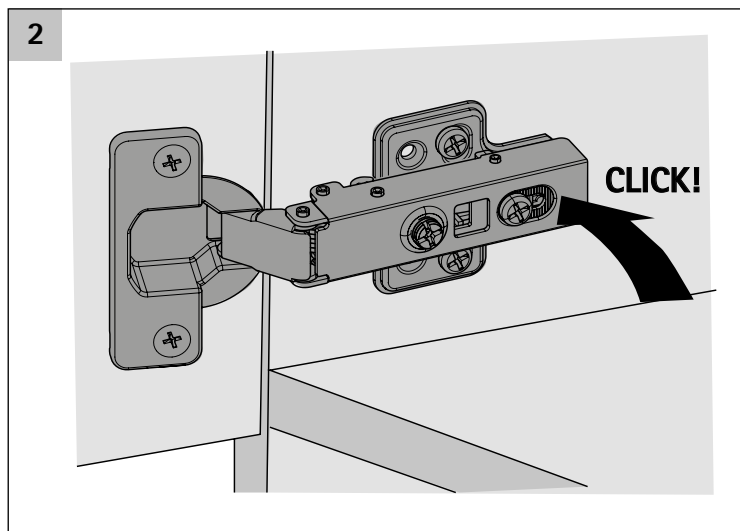
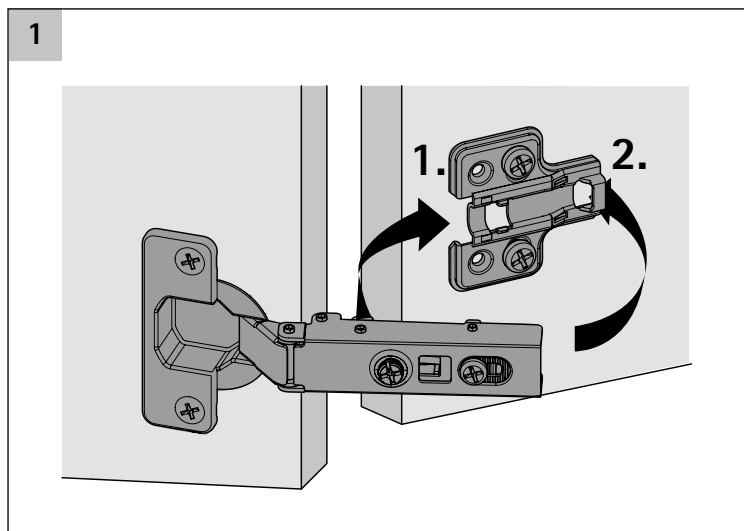
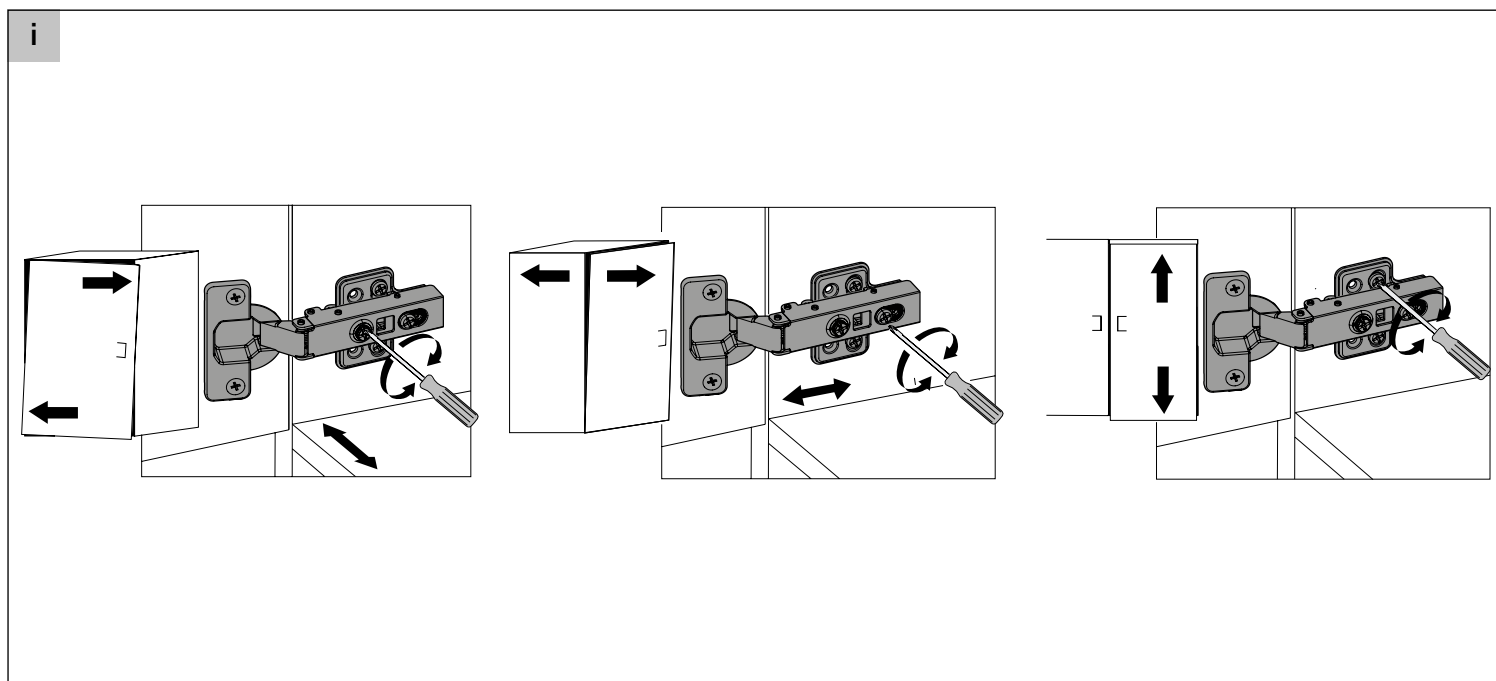
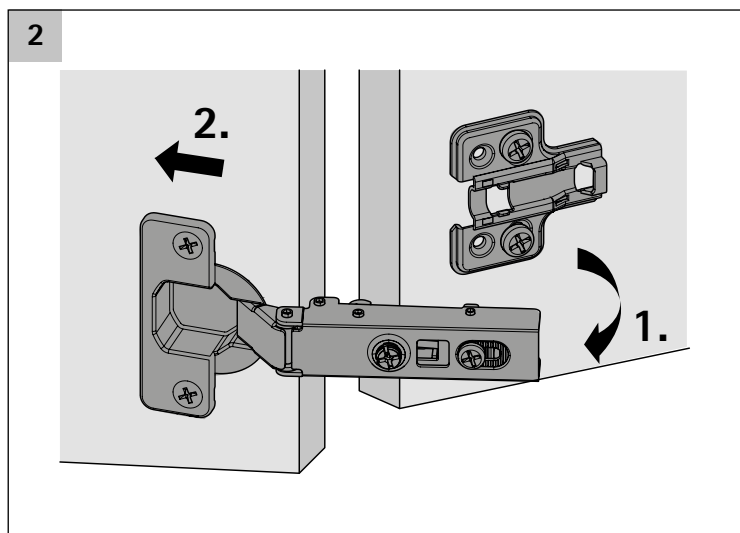
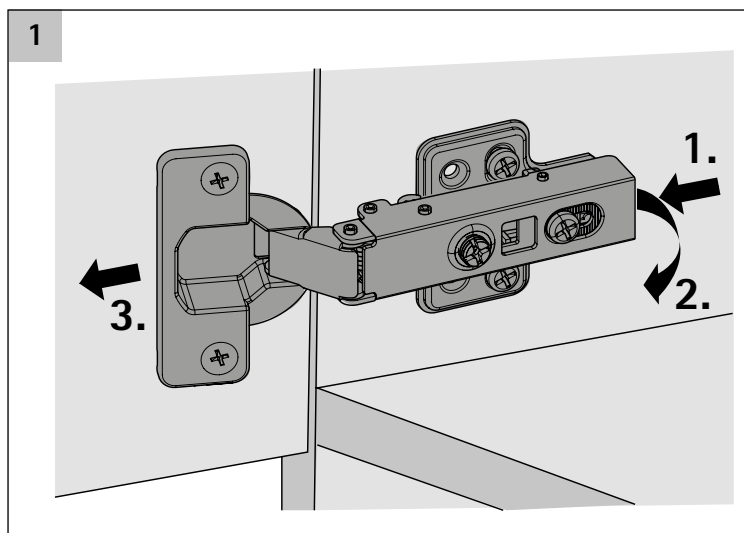
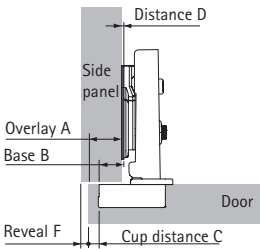


Installation



De-installation





$$\text{Distance D} = \text{C} + \text{B} - \text{A}$$

$$= \text{cup distance C} + 11.5 \text{ mm} - \text{overlay A}$$

Overlay mm	Cup distance C mm									
	3.0	4.0	5.0	6.0	7.0					
	Distance D mm									
10	4.5	5.5	6.5	7.5	8.5					
11	3.5	4.5	5.5	6.5	7.5					
12	2.5	3.5	4.5	5.5	6.5					
13	1.5	2.5	3.5	4.5	5.5					
14	0.5	1.5	2.5	3.5	4.5					
15		0.5	1.5	2.5	3.5					
16			0.5	1.5	2.5					
17				0.5	1.5					
18					0.5					

Number of hinges per door

Door width, height and weight as well as the material quality of the door are decisive factors determining the number of hinges required.

The factors encountered in practice differ widely from case to case. For this reason, the number of hinges specified in the diagram must be understood as a guide only. If in doubt, it is recommended to carry out a trial mounting and adjust the number of hinges as necessary. For reasons of stability, space X between the hinges must always be made as large as possible. Distance X must be at least 280 mm.

