



UNIBOX

Unihopper

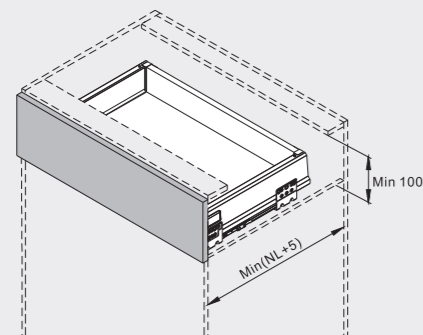


Full extension with self closing and soft closing

- Steel drawer side H=80mm
- Synchronized concealed slide
- Epoxy coated
- Load capacity of 35kgs
- Smooth rolling mechanism
- Quick assembly
- Up and down , left and right , 4 dimensional adjustment
- Mat: steel

Space required

NL: Nominal length

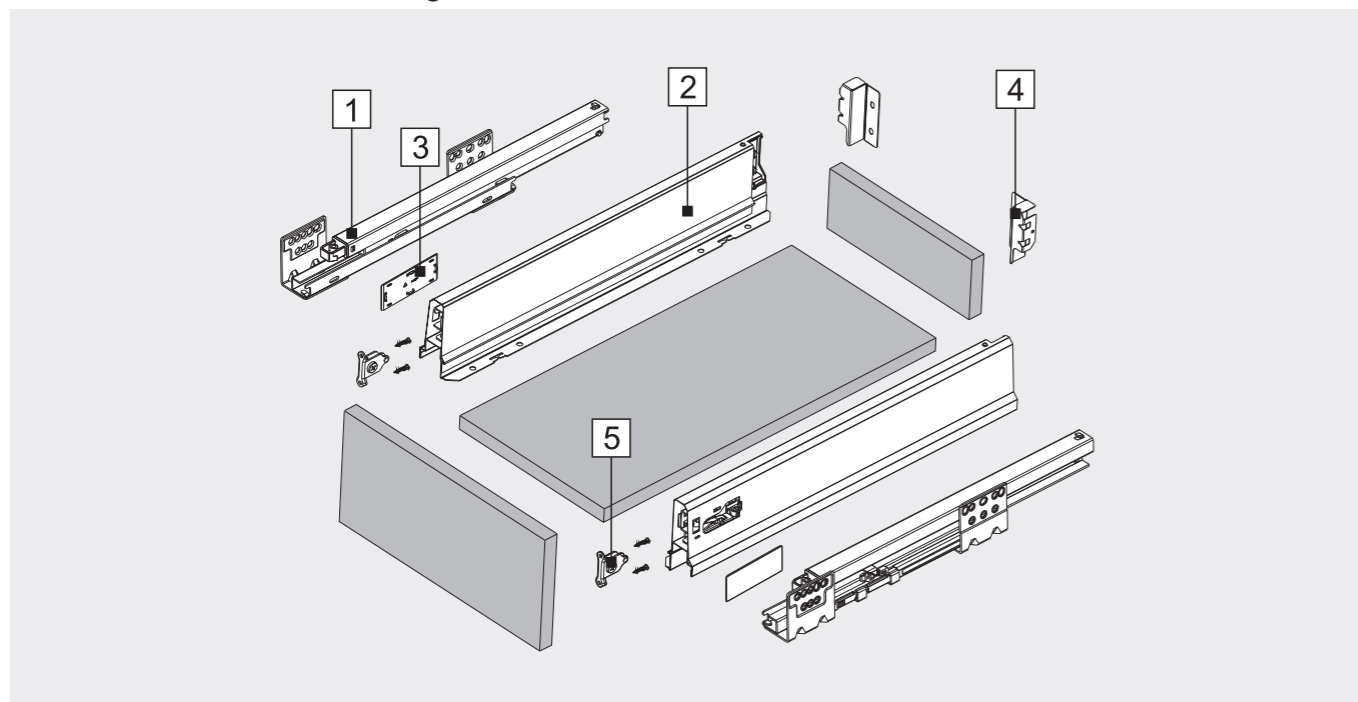


Order information

H80mm Deluxe Unibox		
Nominal length	Front fixing bracket Left/Right	The complete set basic components includes
	Metal	1.Concealed runners Left/Right
270 mm	DBD1.270A.(*)	2.Drawer side Left/Right
300 mm	DBD1.300A.(*)	3.Plastic covers 1*2pcs
350 mm	DBD1.350A.(*)	4.Back panel adapters Left/Right
400 mm	DBD1.400A.(*)	5.Front fixing brackets 1*2pcs
450 mm	DBD1.450A.(*)	
500 mm	DBD1.500A.(*)	
550 mm	DBD1.550A.(*)	

Remarks: (*)Color: White (WT) /Dark grey(DG)

Product breakdown drawing



1.Concealed runners Left/Right

Description	Concealed runners Left/Right
	DBD.(*)SL.ZP
Remarks:(*):Nominal length:270/300/350/400/450/500/550	

2.Drawer side Left/Right

Description	Drawer side Left/Right
	DBD.(*)AW.(*)
Remarks:(*):Nominal length:270/300/350/400/450/500/550 (*)Color: White (WT) / Dark grey(DG)	

3.Plastic covers

Description	Plastic covers
	DA1101D1.(*)
Remarks:(*):Color: White (WT) / Dark grey(DG)	

4.Back panel adapters Left/Right

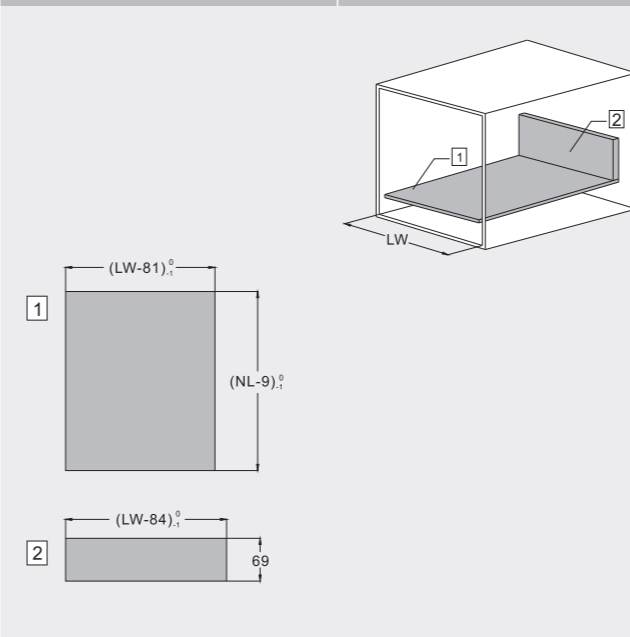
Description	Back panel adapters Left/Right
	DA1103D1.80.(*)
Remarks:(*):Color: White (WT) / Dark grey(DG)	

5.Front fixing brackets Left/Right

Description	Front fixing brackets Left/Right
Metal (32mm)	Metal
	DA1102D1.ZP

Cutting size

Bottom and back panel measurement 16mm density panel
NL: Nominal length LW: Inner Cabinet Width



Runner Installation

Nominal length

