

M

SERIES

SIMPLE DESIGN
ADVANCED TECHNIQUE



KEA
Sliding Door
System



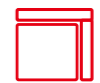
ANTI-JUMPING



SUPER MUTE



EXTREME SMOOTH



PRECISION CLOSED



SOFT CLOSE



SOLID PULLY



AUTO ADJUSTMENT



AUTO RESET

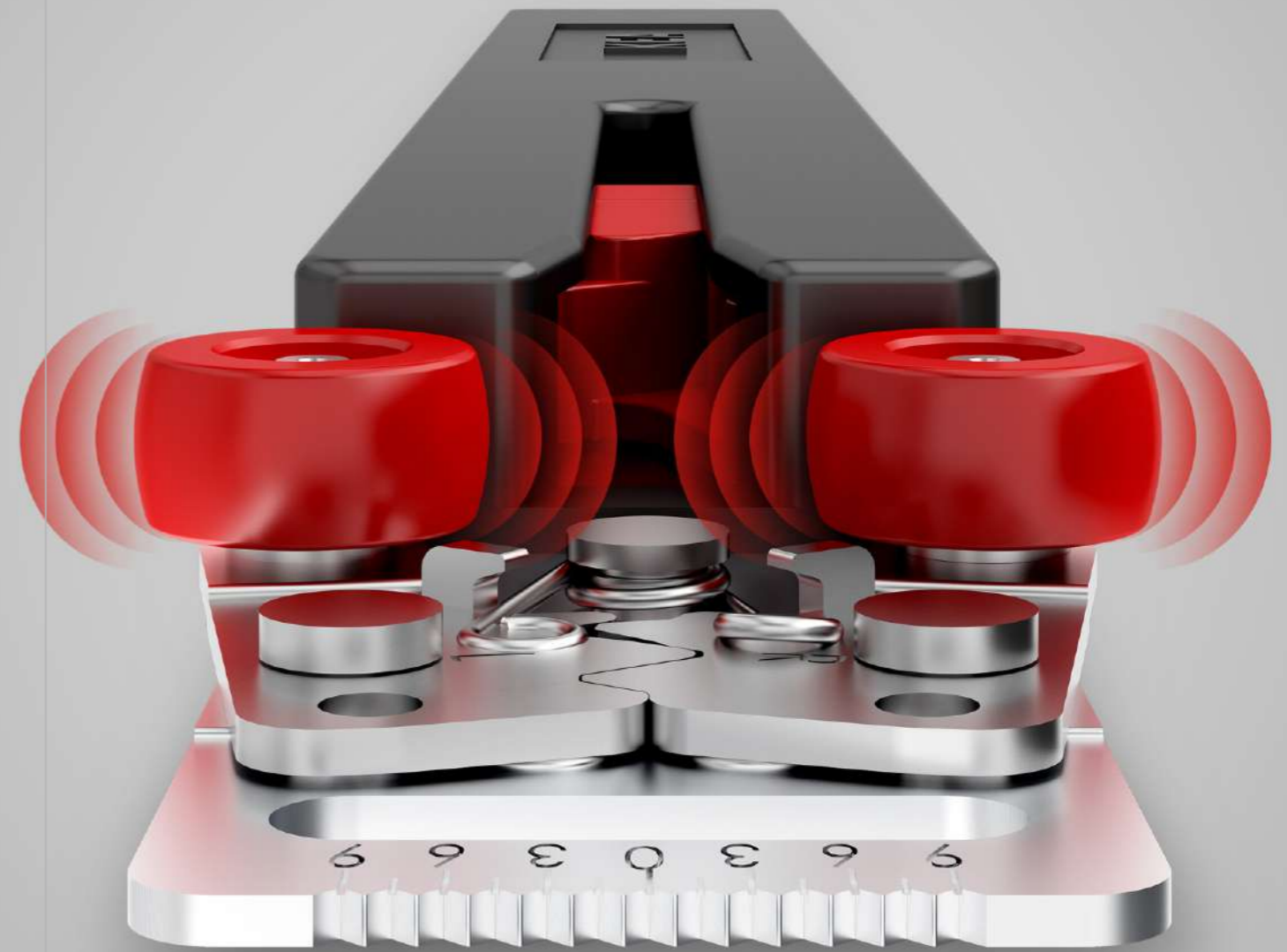
KEA

Sliding Door
System

Skywalker

AUTO ADJUSTMENT
EASY INSTALLATION

ACCORDING TO DIFFERENCE ALUMINUM WIDTH, HORIZONTAL
WHEEL CAN ADJUST AUTOMATICALLY BY MOVING APRING, TO
IMPROVE THE INSTALLATION CONVENIENCE.

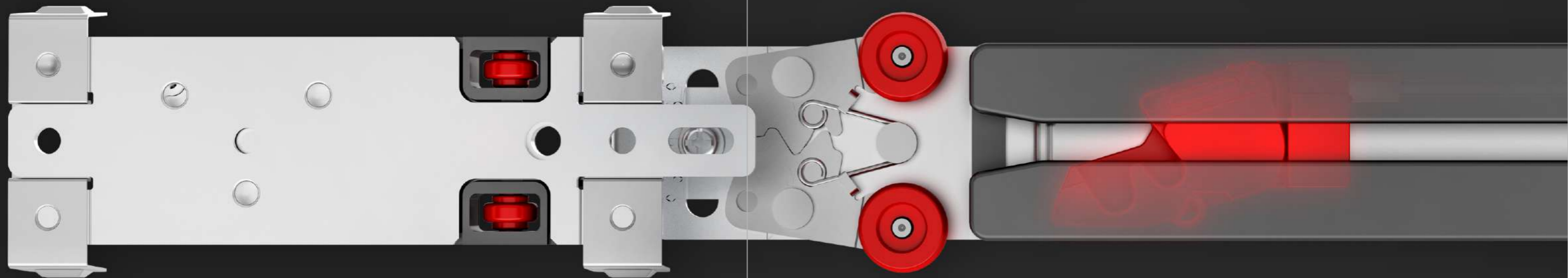


AUTO ADJUSTMENT

AUTO RESET PRECISION CLOSED

Automatic reset function, if there is a decoupling situation, it can automatically reset during the push back process, so that the buffer continues working smoothly. At the same time, the clamping of the firing pin gets closer, so that the closing gap is close to zero, and the dust and dirt are better protected.

Skywalker



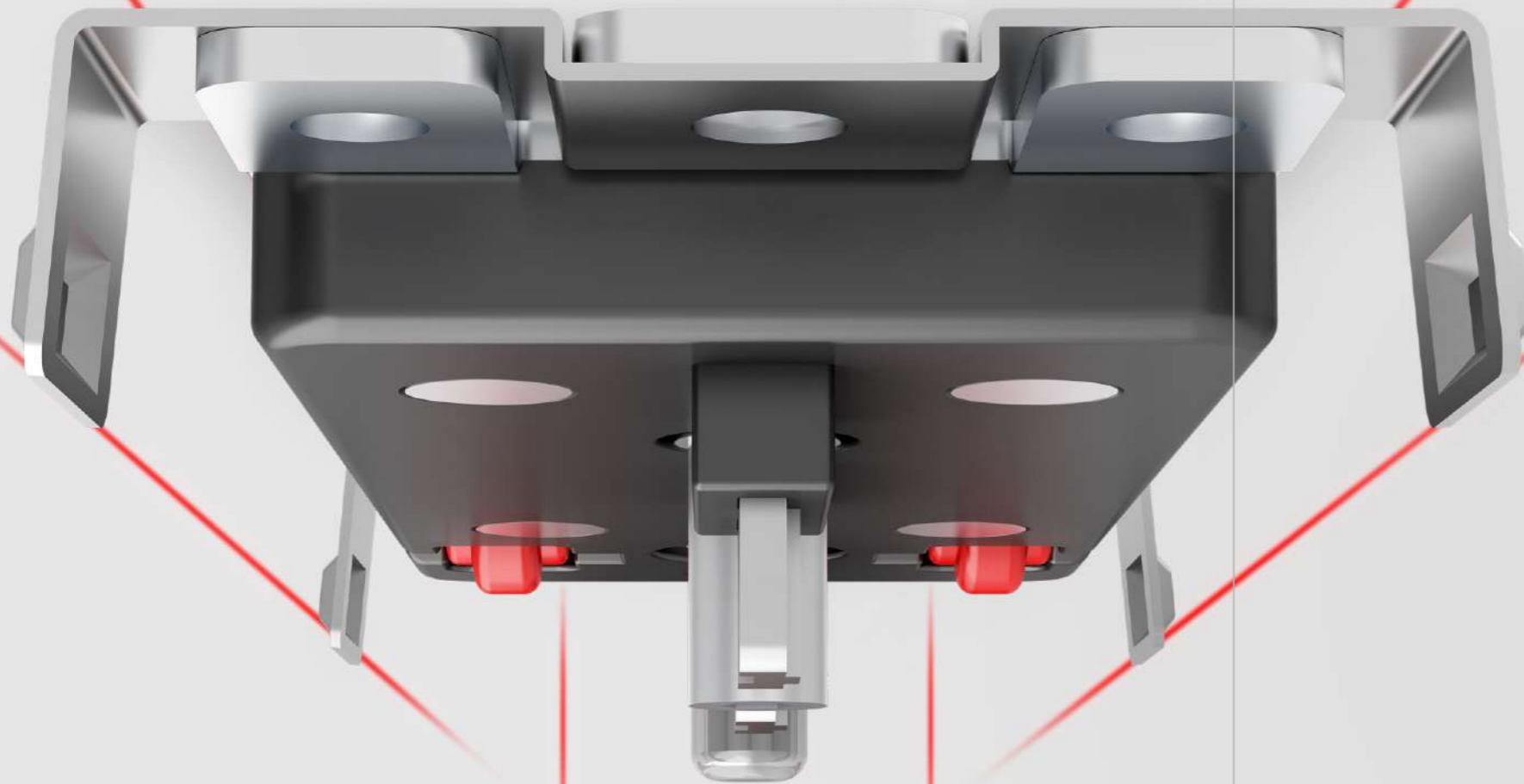
KEA
Sliding Door
System



PRECISION CLOSED AUTO RESET

KEA

Sliding Door
System



Skywalker

SOLID PULLEY

The design of the three side solid pulley strengthens the closing of the door and makes it smooth and unimpeded. It can effectively reduce noise and improve comfort



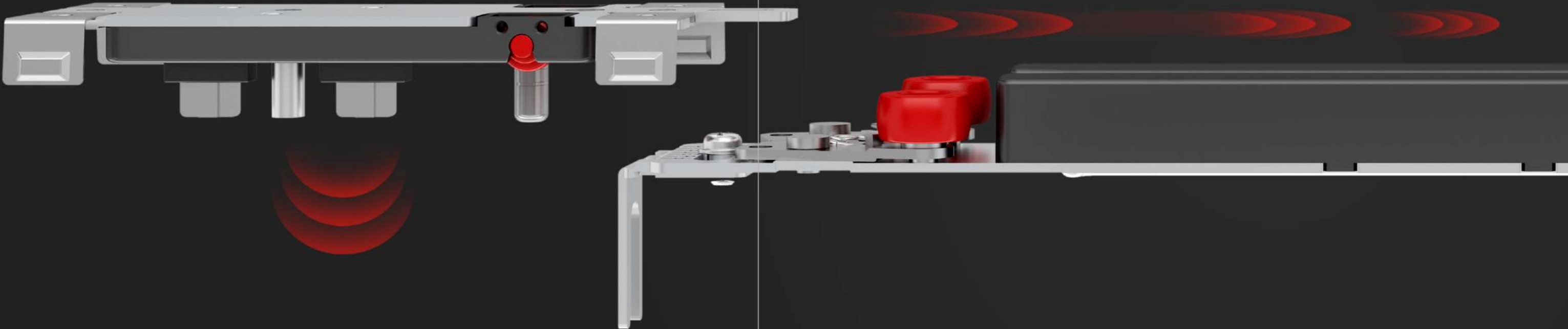
EXTREME SMOOTH



EXTREME SMOOTH

UP & DOWN ADJUSTMENT ANTI-JUMPING AND COLLISION

Block parts according to the use requirements can be adjusted freely up and down 5 mm, to prevent the door jumping. Closed front firing pin add cases at the same time, effectively reduce the noise, and linked to reduce phantom, less friction, promote close closely.



Skywalker

KEA
Sliding Door
System



ANTI-JUMPING



EXTREME SMOOTH

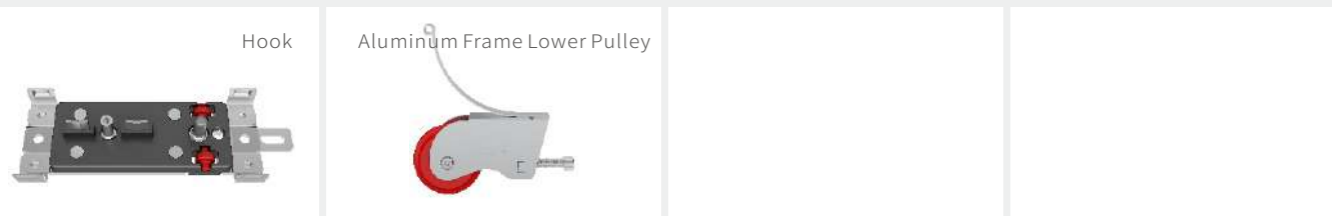


PRECISION



SOFT CLOSE

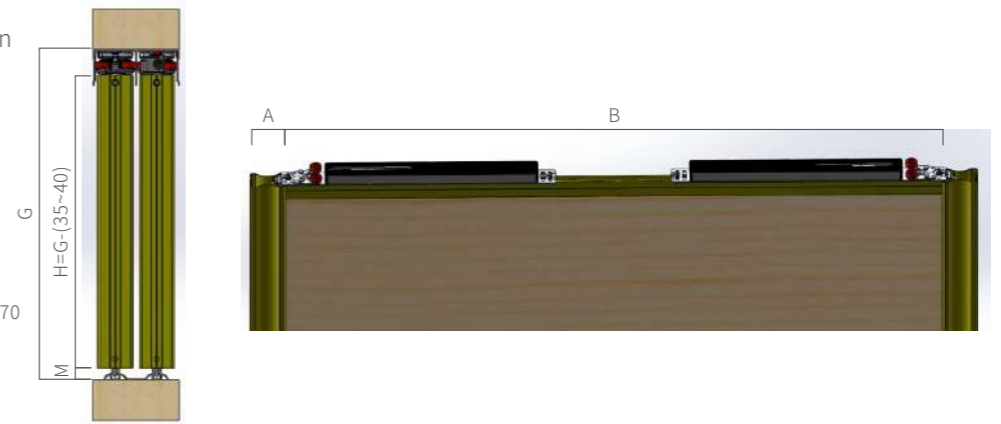
- M10-D10A Aluminum Frame Soft Close Damper (Light Weight) Weight Capacity under 15KGS
- M10-D10B Aluminum Frame Soft Close Damper (Universal)
- M10-D10C Aluminum Frame Soft Close Damper (Heavy Weight)



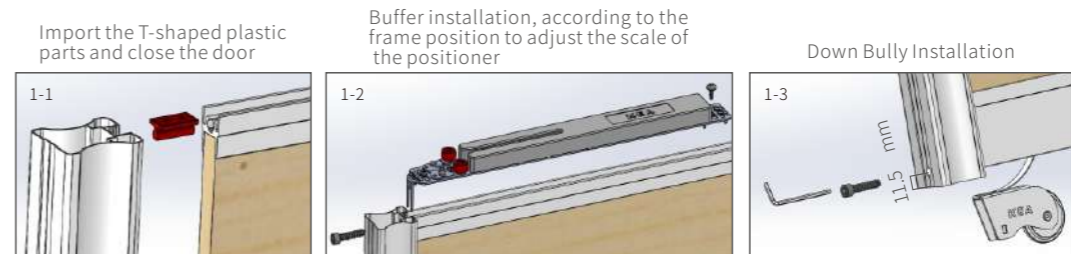
Accessories Item	Name	Quantity	Accessories Item	Name	Quantity
M10-02 Single Door Double Soft close (Universal)					
M10-D10B	Aluminum Frame Soft Close Damper (Universal)	2	M10-DR01	Aluminum Frame Lower Pulley	2
M10-BD01	Hook	2			
M10-T01	Aluminum Frame T shape Plastic Parts	2	M10-XM4*18	4*18 screw	4
M10-LM6*30	6*30 socket head self-drilling screw	2	M10-MM4*16	4*16 chipboard screws	2

Parameter Specification

- G=Cabinet Inner Height
- H=Door Height
- A=The buffer fork to mullion edge distance
- W=Door Width
- M=Lower Slide Height, if double way soft close, then $B > \text{or} = 670$

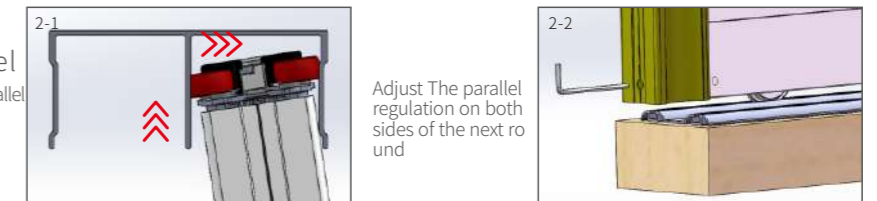


1-Install the up and down pulley accessories and combine the frame



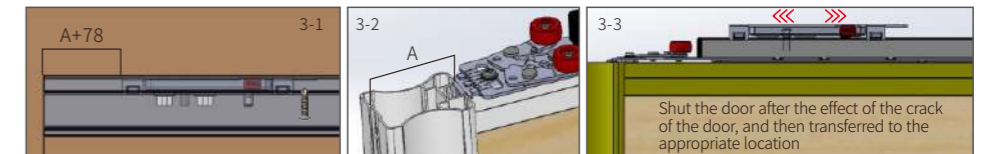
2-Put on cupboard door and adjust to make them parallel

Put on cupboard door and adjust to make them parallel. Along the direction of arrow tightening wheel track. According to the arrow direction again, push the door into the orbit. To budge the Allen screw in the next round.

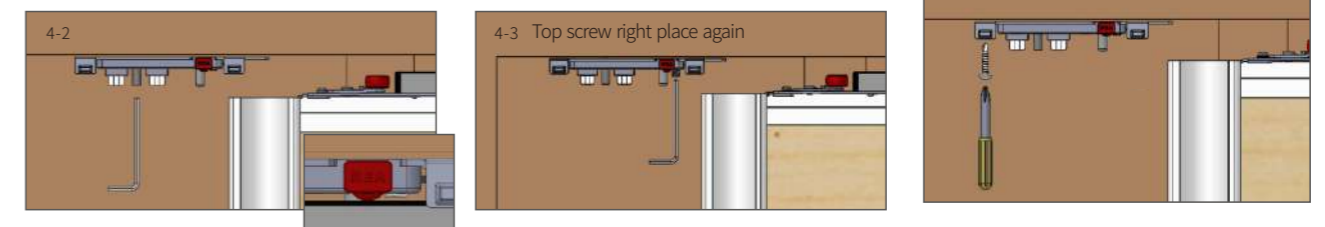


3-The Top hook device Installation

Distance side panel A + 78 cm will dial the hook in the card on the steady track, in the middle of the long waist after lock into the screw.



4-Dial the hook device to do the best height adjustment



Screw adjustment and dial hook device context level. Note: Soft close period come into contact with a pulley block for appropriate height.

- Summary:**
- In twisted round of hexagonal screw, adjust the door the appropriate level, such as the steps as shown in figure 1-4 after all the steps above installed.
 - Pull the door to check the effect of damping and the jumping, if the effect is not satisfied, see again the steps shown in figure 3-3.
 - Hook damping device of hexagonal screw to make satisfaction.