



# *MS Slide-On*

## *The right function*

---

Cost-effective Slide-On mechanism

---

Wide range 3D door adjustment

---

Large program of cup-fixing methods

---

Genios Compatible

---

Option OneTouch

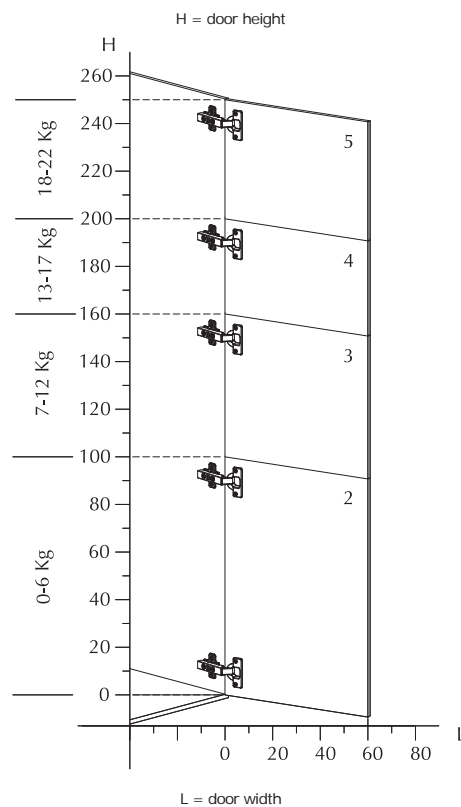
---

Complete range of solutions

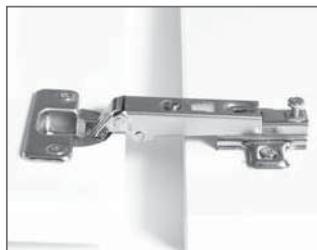
---

The **MS Slide-On** hinges represent the perfect synthesis between functional needs and right value of the product. The complete range allows to cover all the applications with a specific solution, adjustable to the needs of the user through easy and strong adjustments. The rapid (Velofix and X-Pando) or no-tool (Zip) door fixings allow assembly in a short time and in a safe way. The MS Slide-On hinges are available in push-open version for use with the OneTouch device for handleless cabinet design. They are available in Genios configuration, and compatible with SlowMotion Alfa and SlowMotion Delta add-on damper solutions as well.

# MS Slide-On



## Mounting System



**1** Place the rear part of the hinge on the front side of the mounting plate.

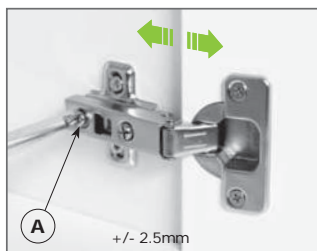


**2** Let the hinge slide on the mounting plate until it stops.

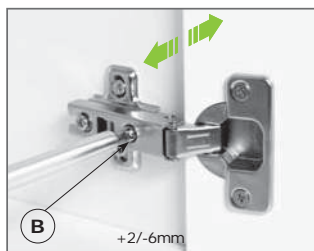


**3** Tighten the connecting screw.

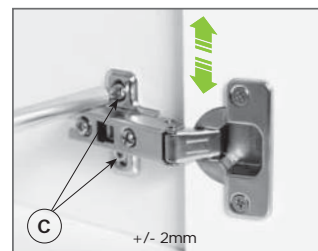
## Adjusting System



**Front adjustment**  
Acting on the "A" screw it is possible to adjust the distance between the side of the cabinet and the door.














**Independent side adjustment**  
Acting on the "B" screw it is possible to change the amount of the door covering on the side of the cabinet.

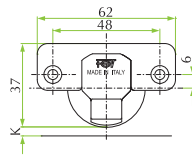


**Vertical adjustment**  
Acting on the "C" screw of the mounting plate it is possible to adjust the door vertically.

# INDEX

<b>OPENING 110°</b>		<b>Summary table</b>	p. 64
		<b>Product detail</b>	p. 68
<b>OPENING 125°</b>		<b>Summary table</b>	p. 64
		<b>Product detail</b>	p. 72
<b>OPENING 175°</b>		<b>Summary table</b>	p. 64
		<b>Product detail</b>	p. 74
<b>FOR THICK DOORS 95° Ø35</b>		<b>Summary table</b>	p. 64
		<b>Product detail</b>	p. 76
<b>FOR CORNER DOORS 110°</b>		<b>Summary table</b>	p. 64
		<b>Product detail</b>	p. 80
<b>FOR CORNER CABINET 90°</b>		<b>Summary table</b>	p. 64
		<b>Product detail</b>	p. 84
<b>SPECIAL SOLUTIONS</b>			
<b>FOR THICK DOORS 90° Ø40</b>		<b>Summary table</b>	p. 67
		<b>Product detail</b>	p. 86
<b>FOR WOOD AND/OR GLASS DOORS 90° Ø26</b>		<b>Summary table</b>	p. 67
		<b>Product detail</b>	p. 90
<b>FOR DOORS WITH ALUMINIUM FRAME 105°</b>		<b>Summary table</b>	p. 67
		<b>Product detail</b>	p. 94
<b>FLAP DOORS</b>		<b>Summary table</b>	p. 67
		<b>Product detail</b>	p. 98
<b>ZIP FIXING SYSTEM</b>		<b>Summary table</b>	p. 67

# Cup hole distance 48x6mm



## OPENING 110°



Crank 0		p. 68	p. 68	p. 68	p. 68	p. 68
Crank 4		p. 68	p. 68	p. 68	p. 68	p. 68
Crank 8		p. 70	p. 70	p. 70	p. 70	p. 70
Crank 15		p. 70	p. 70	p. 70	p. 70	p. 70

## OPENING 125°



Crank 0		p. 72	p. 72	p. 72	p. 72	
Crank 8		p. 72	p. 72	p. 72	p. 72	

## OPENING 175°



Crank 0		p. 74	p. 74	p. 74	p. 74	
Crank 8		p. 74	p. 74	p. 74	p. 74	

## FOR THICK DOORS STANDARD OPENING 95° Ø35



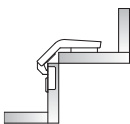
Crank 0		p. 76	p. 76	p. 76	p. 76	
Crank 4		p. 76	p. 76	p. 76	p. 76	
Crank 8		p. 78	p. 78	p. 78	p. 78	
Crank 15		p. 78	p. 78	p. 78	p. 78	

## FOR CORNER DOORS 110°



Angle -25°		p. 80	p. 80	p. 80	p. 80	
Angle +25°		p. 80	p. 80	p. 80	p. 80	
Angle 24°±30°		p. 82	p. 82	p. 82	p. 82	p. 82
Angle 45°		p. 82	p. 82	p. 82	p. 82	p. 82
Angle 90°		p. 82	p. 82	p. 82	p. 82	p. 82

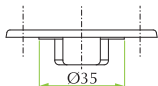
## FOR CORNER CABINET 90°



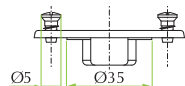
	p. 84	p. 84	p. 84	p. 84
--	-------	-------	-------	-------



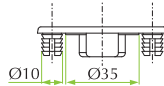
SELFTAPPING  
SCREW



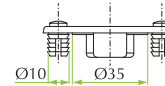
EURO  
SCREW



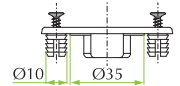
DOWEL



VELOFIX  
DOWEL

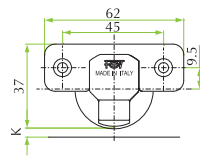


X-PANDO  
DOWEL



**Cup hole distance  
45x9.5mm**

**A**



**OPENING 110°**



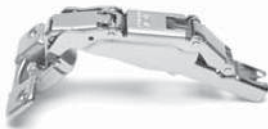
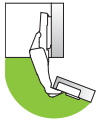
Crank 0		p. 68	p. 68	p. 68	p. 68	p. 68
Crank 4		p. 68	p. 68	p. 68	p. 68	p. 68
Crank 8		p. 70	p. 70	p. 70	p. 70	p. 70
Crank 15		p. 70	p. 70	p. 70	p. 70	p. 70

**OPENING 125°**



Crank 0		p. 72	p. 72	p. 72	p. 72	
Crank 8		p. 72	p. 72	p. 72	p. 72	

**OPENING 175°**



Crank 0		p. 74	p. 74	p. 74	p. 74	
Crank 8		p. 74	p. 74	p. 74	p. 74	

**FOR THICK DOORS  
STANDARD OPENING 95° Ø35**



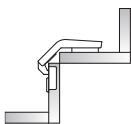
Crank 0		p. 76	p. 76	p. 76	p. 76	
Crank 4		p. 76	p. 76	p. 76	p. 76	
Crank 8		p. 78	p. 78	p. 78	p. 78	
Crank 15		p. 78	p. 78	p. 78	p. 78	

**FOR CORNER DOORS 110°**



Angle -25°		p. 80	p. 80	p. 80	p. 80	
Angle +25°		p. 80	p. 80	p. 80	p. 80	
Angle 24°±30°		p. 82	p. 82	p. 82	p. 82	p. 82
Angle 45°		p. 82	p. 82	p. 82	p. 82	p. 82
Angle 90°		p. 82	p. 82	p. 82	p. 82	p. 82

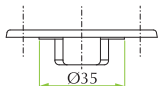
**FOR CORNER CABINET 90°**



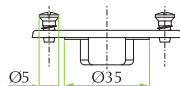
		p. 84	p. 84	p. 84	p. 84	
--	--	-------	-------	-------	-------	--



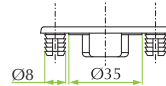
**SELFTAPPING  
SCREW**



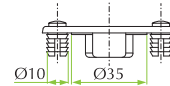
**EURO  
SCREW**



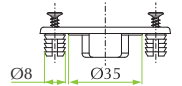
**DOWEL**



**VELOFIX  
DOWEL**

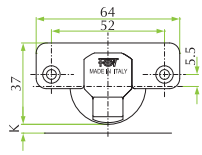


**X-PANDO  
DOWEL**



# Cup hole distance 52x5.5mm

**D**



## OPENING 110°



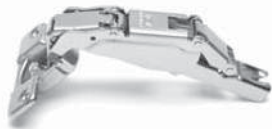
Crank 0		p. 68	p. 68	p. 68	p. 68	p. 68
Crank 4		p. 68	p. 68	p. 68	p. 68	p. 68
Crank 8		p. 70	p. 70	p. 70	p. 70	p. 70
Crank 15		p. 70	p. 70	p. 70	p. 70	p. 70

## OPENING 125°



Crank 0		p. 72	p. 72	p. 72	p. 72	
Crank 8		p. 72	p. 72	p. 72	p. 72	

## OPENING 175°



Crank 0		p. 74	p. 74	p. 74	p. 74	
Crank 8		p. 74	p. 74	p. 74	p. 74	

## FOR THICK DOORS STANDARD OPENING 95° Ø35



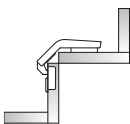
Crank 0		p. 76	p. 76	p. 76	p. 76	
Crank 4		p. 76	p. 76	p. 76	p. 76	
Crank 8		p. 78	p. 78	p. 78	p. 78	
Crank 15		p. 78	p. 78	p. 78	p. 78	

## FOR CORNER DOORS 110°



Angle -25°		p. 80	p. 80	p. 80	p. 80	
Angle +25°		p. 80	p. 80	p. 80	p. 80	
Angle 24°±30°		p. 82	p. 82	p. 82	p. 82	p. 82
Angle 45°		p. 82	p. 82	p. 82	p. 82	p. 82
Angle 90°		p. 82	p. 82	p. 82	p. 82	p. 82

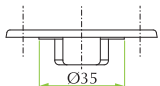
## FOR CORNER CABINET 90°



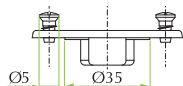
		p. 84	p. 84	p. 84	p. 84	
--	--	-------	-------	-------	-------	--



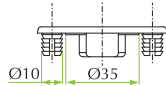
SELFTAPPING  
SCREW



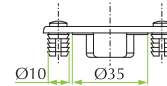
EURO  
SCREW



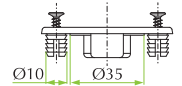
DOWEL



VELOFIX  
DOWEL

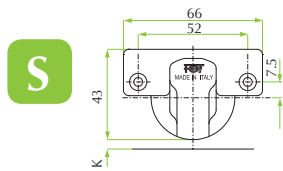


X-PANDO  
DOWEL

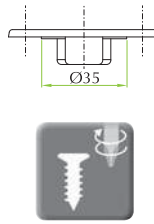


# SPECIAL SOLUTIONS

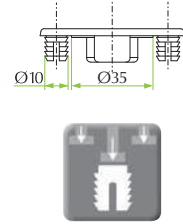
CUP HOLE DISTANCE 52x7.5mm



SELFTAPPING SCREW



DOWEL



## FOR THICK DOORS OPENING 90° Ø40



Crank 0	
Crank 8	
Crank 15	
Crank 22	

p. 86

p. 86

p. 86

p. 86

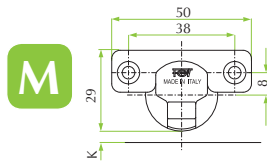
p. 88

p. 88

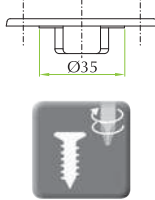
p. 88

p. 88

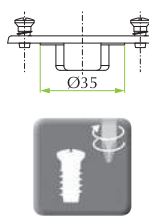
CUP HOLE DISTANCE 38x8mm



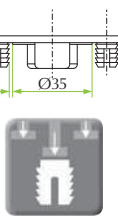
SELFTAPPING SCREW



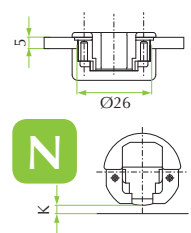
EURO SCREW



DOWEL



NYLON (glass)



## FOR WOOD AND/OR GLASS DOORS 90° Ø26



Crank 0	
Crank 8	
Crank 15	

p. 90

p. 90

p. 90

p. 92

p. 90

p. 90

p. 90

p. 92

p. 90

p. 90

p. 90

p. 92

GROOVED PROFILE

LOCK FIXING

## FOR DOORS WITH ALUMINIUM FRAME OPENING 105°



Crank 0	
Crank 8	
Crank 15	

p. 94

p. 96

p. 94

p. 96

p. 94

p. 96

## FOR FLAP DOORS



LEFT

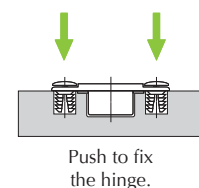
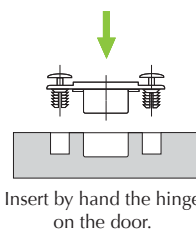
RIGHT

p. 98

p. 98

## ZIP FIXING SYSTEM

The Zip dowels allow a no-tool mounting of the hinge.



The hinges with Zip fixing system are available on demand. Please contact the FGV Customer Service.



# MS Slide-On 110°



## Technical specifications:

- Depth of the metal cup 11.3mm
- Cup diameter 35mm
- Opening 110° with (K) max 4mm e (T) max 18mm
- Possibility of door drilling (K) from 3 to 7 mm
- Thickness of the door (T) from 16 to 26 mm
- Genios, SlowMotion Alfa and OneTouch solutions

CRANK 0



CRANK 4



CRANKS 8, 15 TO PAGE 70 >>>



I  
A  
D

51.MS15.05.00.0 ●  
51.MS15.05.00.C ●  
51.MS15.05.00.B ●

Available with premounted selftapping screws

51.MS15.05.04.0 ●  
51.MS15.05.04.C ●  
51.MS15.05.04.B ●



I  
A  
D

51.MS16.05.00.M ●  
51.MS16.05.00.N ●  
51.MS16.05.00.E ●

51.MS16.05.04.M ●  
51.MS16.05.04.N ●  
51.MS16.05.04.E ●



I  
A  
D

51.MS16.05.00.\* ●  
51.MS16.05.00.S ●  
51.MS16.05.00.B ●

\* 0 = dowels Ø10mm / D = dowels Ø8mm

51.MS16.05.04.\* ●  
51.MS16.05.04.S ●  
51.MS16.05.04.B ●



I  
A  
D

51.MS18.05.00.V ●  
51.MS18.05.00.U ●  
51.MS18.05.00.Z ●

51.MS18.05.04.V ●  
51.MS18.05.04.U ●  
51.MS18.05.04.Z ●

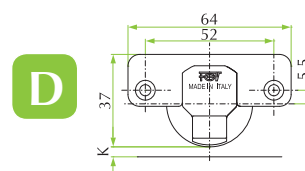
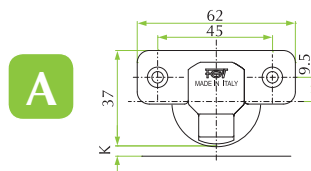
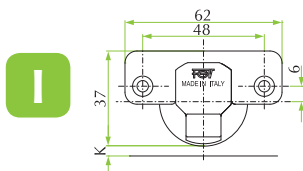


I  
A  
D

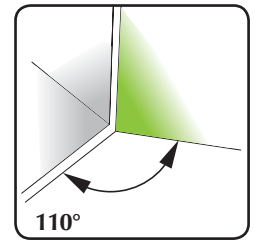
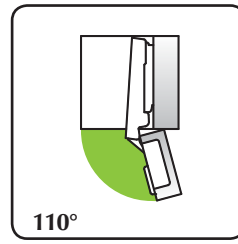
51.MS19.05.00.0 ●  
51.MS19.05.00.S ●  
51.MS19.05.00.B ●

51.MS19.05.04.0 ●  
51.MS19.05.04.S ●  
51.MS19.05.04.B ●

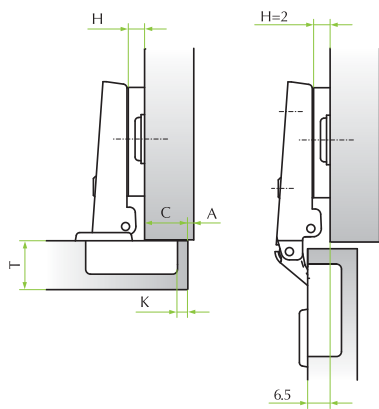
● = G / Genios Solution



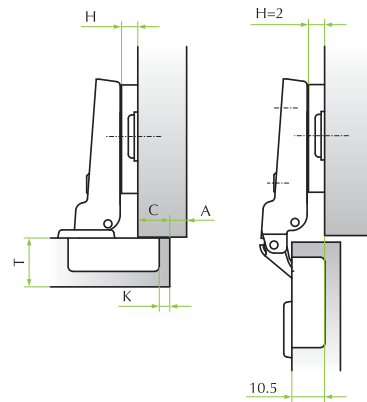
The mounting plates and fittings for this hinge series are shown from page 100 to page 107.



**CRANK 0**  
For lay-on doors



**CRANK 4**  
For partial lay-on doors



		Drilling distance (K)						
		3	4	5	6	7		
Overlay (C)	19			0	2			
	18		0		2			
	17	0		2	4			
	16	2		4				
	15	2		4	6			
	14	4		6				
	13	4		6				
	12	6						
11	6						Mounting plates (H)	

		Drilling distance (K)						
		3	4	5	6	7		
Overlay (C)	15			0	2			
	14		0		2			
	13	0		2	4			
	12	2		4				
	11	2		4	6			
	10	4		6				
	9	4		6				
	8	6						
7	6						Mounting plates (H)	

Table to determine the minimum distance **A** so that a door with **T** thickness can open without protrusion from the cabinet and without interfering with adjacent doors.

T=	16	17	18	19	20	21	22	23	24	25	26
K=3 A=	0.55	0.75	1.10	1.45	1.80	2.40	3.10	3.90	4.70	6.70	6.50
K=4 A=	0.55	0.70	1.05	1.40	1.75	2.25	2.85	3.60	4.35	5.75	6.00
K=5 A=	0.55	0.70	1.00	1.35	1.65	2.10	2.65	3.30	4.00	4.75	5.55
K=6 A=	0.50	0.70	0.95	1.25	1.60	2.00	2.50	3.05	3.70	4.40	5.20
K=7 A=	0.50	0.65	0.85	1.20	1.55	1.90	2.35	2.85	3.45	4.10	4.80

# MS Slide-On 110°



<<< CRANK 0, 4 TO PAGE 68

CRANK 8

CRANK 15



I  
A  
D

51.MS15.05.08.0 ●  
51.MS15.05.08.C ●  
51.MS15.05.08.B ●

Available with premounted selftapping screws

51.MS15.05.15.0 ●  
51.MS15.05.15.C ●  
51.MS15.05.15.B ●



I  
A  
D

51.MS16.05.08.M ●  
51.MS16.05.08.N ●  
51.MS16.05.08.E ●

51.MS16.05.15.M ●  
51.MS16.05.15.N ●  
51.MS16.05.15.E ●



I  
A  
D

51.MS16.05.08.\* ●  
51.MS16.05.08.S ●  
51.MS16.05.08.B ●

\* 0 = dowels Ø10mm / D = dowels Ø8mm

51.MS16.05.15.\* ●  
51.MS16.05.15.S ●  
51.MS16.05.15.B ●



I  
A  
D

51.MS18.05.08.V ●  
51.MS18.05.08.U ●  
51.MS18.05.08.Z ●

51.MS18.05.15.V ●  
51.MS18.05.15.U ●  
51.MS18.05.15.Z ●

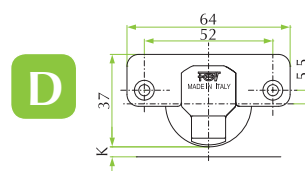
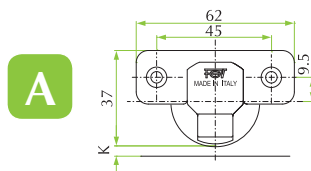
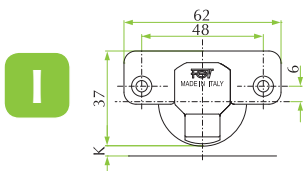


I  
A  
D

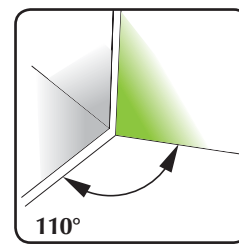
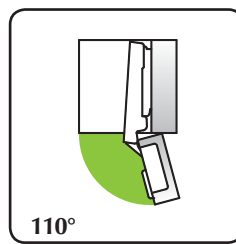
51.MS19.05.08.0 ●  
51.MS19.05.08.S ●  
51.MS19.05.08.B ●

51.MS19.05.15.0 ●  
51.MS19.05.15.S ●  
51.MS19.05.15.B ●

● = G / Genios Solution

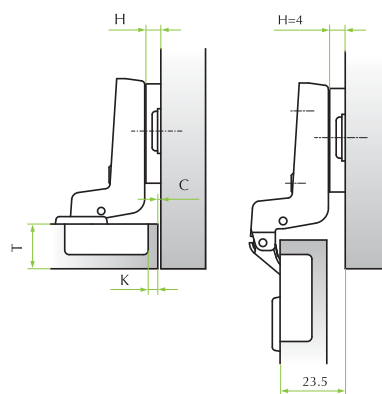
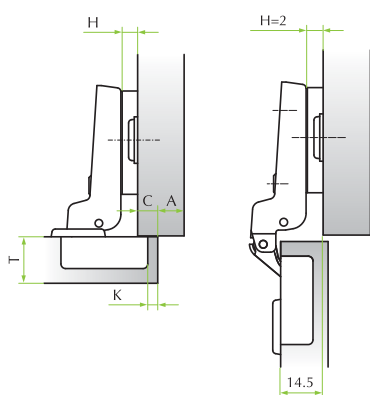


The mounting plates and fittings for this hinge series are shown from page 100 to page 107.



**CRANK 8**  
For partial lay-on doors

**CRANK 15**  
For inset doors



		Drilling distance (K)						
		3	4	5	6	7		
Overlay (C)	11			0	2			
	10		0		2			
	9	0		2	4			
	8		2		4			
	7	2		4	6			
	6		4		6			
	5	4		6				
	4		6					
3	6							
		Mounting plates (H)						

		Drilling distance (K)				
		3	4	5	6	7
Overlay (C)	0	2		4	6	
	1		4		6	
	2	4		6		
	3		6			
	4	6				
		Mounting plates (H)				

Table to determine the minimum distance **A** so that a door with **T** thickness can open without protrusion from the cabinet and without interfering with adjacent doors.

T=	16	17	18	19	20	21	22	23	24	25	26
K=3 A=	0.55	0.75	1.10	1.45	1.80	2.40	3.10	3.90	4.70	6.70	6.50
K=4 A=	0.55	0.70	1.05	1.40	1.75	2.25	2.85	3.60	4.35	5.75	6.00
K=5 A=	0.55	0.70	1.00	1.35	1.65	2.10	2.65	3.30	4.00	4.75	5.55
K=6 A=	0.50	0.70	0.95	1.25	1.60	2.00	2.50	3.05	3.70	4.40	5.20
K=7 A=	0.50	0.65	0.85	1.20	1.55	1.90	2.35	2.85	3.45	4.10	4.80

# MS Slide-On 125°



## Technical specifications:

- Depth of the metal cup 12.3mm
- Cup diameter 35mm
- Opening 125° with (K) max 4mm e (T) max 18mm
- Possibility of door drilling (K) from 3 to 5 mm
- Thickness of the door (T) from 16 to 26 mm

CRANK 0



CRANK 8



I  
A  
D

51.MK15.M5.00.0

51.MK15.M5.00.C

51.MK15.M5.00.B

Available with premounted selftapping screws

51.MK15.M5.08.0

51.MK15.M5.08.C

51.MK15.M5.08.B



I  
A  
D

51.MK16.M5.00.M

51.MK16.M5.00.N

51.MK16.M5.00.E

51.MK16.M5.08.M

51.MK16.M5.08.N

51.MK16.M5.08.E



I  
A  
D

51.MK16.M5.00.\*

51.MK16.M5.00.S

51.MK16.M5.00.B

\* 0 = dowels Ø10mm / D = dowels Ø8mm

51.MK16.M5.08.\*

51.MK16.M5.08.S

51.MK16.M5.08.B



I  
A  
D

51.MK18.M5.00.V

51.MK18.M5.00.U

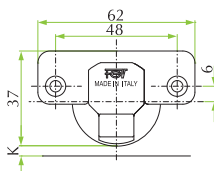
51.MK18.M5.00.Z

51.MK18.M5.08.V

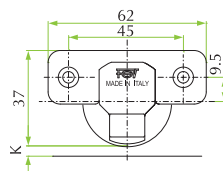
51.MK18.M5.08.U

51.MK18.M5.08.Z

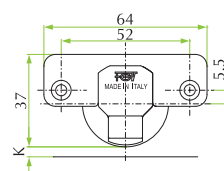
I



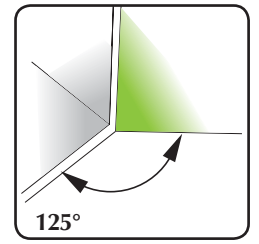
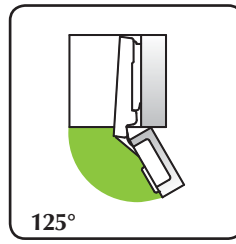
A



D

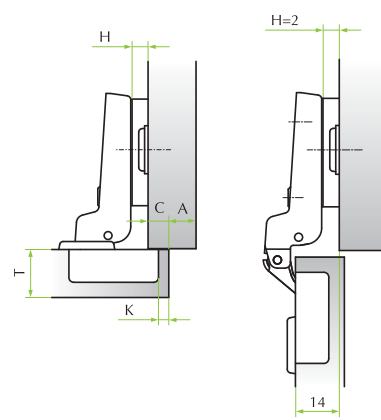
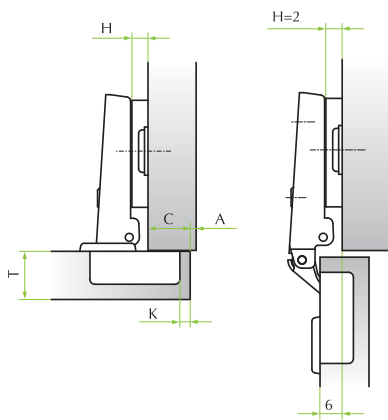


The mounting plates and fittings for this hinge series are shown from page 100 to page 107.



**CRANK 0**  
For lay-on doors

**CRANK 8**  
For partial lay-on doors



		Drilling distance (K)						
		3	4	5	6	7		
Overlay (C)	19			0		2		
	18		0		2			
	17	0		2		4		
	16		2		4			
	15	2		4		6		
	14		4		6			
	13	4		6				
	12		6					
11	6						Mounting plates (H)	

		Drilling distance (K)						
		3	4	5	6	7		
Overlay (C)	11			0		2		
	10		0		2			
	9	0		2		4		
	8		2		4			
	7	2		4		6		
	6		4		6			
	5	4		6				
	4		6					
3	6						Mounting plates (H)	

Table to determinate the minimum distance **A** so that a door with **T** thickness can open without protrusion from the cabinet and without interfering with adjacent doors.

T=	16	17	18	19	20	21	22	23	24	25	26
K=3 A=	0.90	1.40	1.90	2.40	3.00	3.60	4.25	4.90	5.55	6.20	6.80
K=4 A=	0.85	1.25	1.75	2.25	2.75	3.35	4.00	4.65	5.30	5.95	6.60
K=5 A=	0.80	1.10	1.60	2.10	2.55	3.15	3.75	4.45	5.05	5.70	6.35

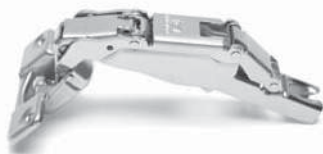
# MS Slide-On 175°



## Technical specifications:

- Depth of the metal cup 11.3mm
- Cup diameter 35mm
- Opening 175°
- Possibility of door drilling (K) from 3 to 7 mm
- Thickness of the door (T) from 16 to 26 mm
- SlowMotion Delta solutions

CRANK 0



CRANK 8



I  
A  
D

51.MW15.S5.00.0

51.MW15.S5.00.C

51.MW15.S5.00.B

Available with premounted selftapping screws

51.MW15.M5.08.0

51.MW15.M5.08.C

51.MW15.M5.08.B



I  
A  
D

51.MW16.S5.00.M

51.MW16.S5.00.N

51.MW16.S5.00.E

51.MW16.M5.08.M

51.MW16.M5.08.N

51.MW16.M5.08.E



I  
A  
D

51.MW16.S5.00.\*

51.MW16.S5.00.S

51.MW16.S5.00.B

\* 0 = dowels Ø10mm / D = dowels Ø8mm

51.MW16.M5.08.\*

51.MW16.M5.08.S

51.MW16.M5.08.B



I  
A  
D

51.MW18.S5.00.V

51.MW18.S5.00.U

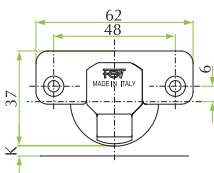
51.MW18.S5.00.Z

51.MW18.M5.08.V

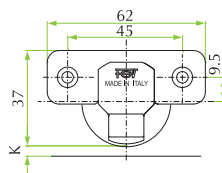
51.MW18.M5.08.U

51.MW18.M5.08.Z

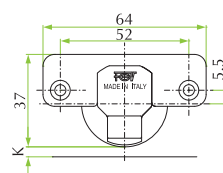
I



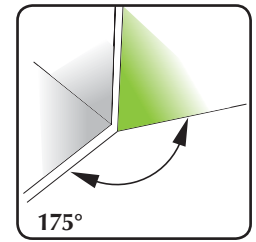
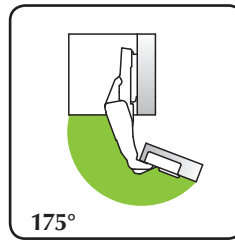
A



D

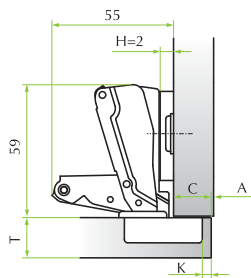


The mounting plates and fittings for this hinge series are shown from page 100 to page 107.



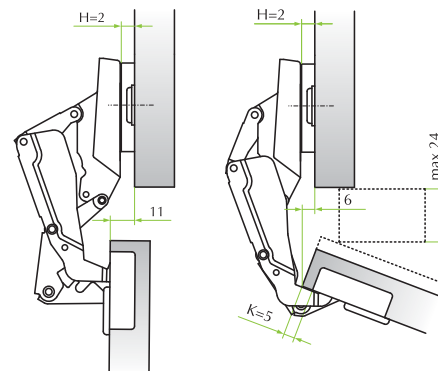
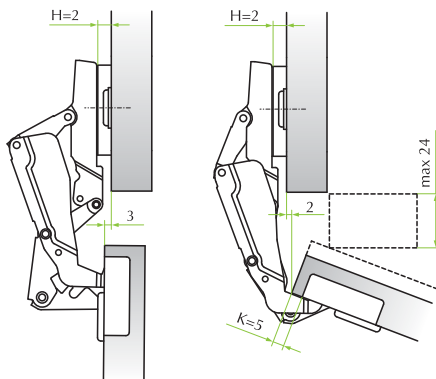
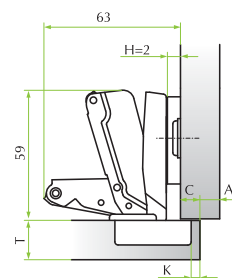
**CRANK 0**

For lay-on doors



**CRANK 8**

For partial lay-on doors



		Drilling distance (K)						
		3	4	5	6	7		
Overlay (C)	19			0		2		
	18		0		2			
	17	0		2		4		
	16		2		4			
	15	2		4		6		
	14		4		6			
	13	4		6				
12		6						
11	6							
		<b>Mounting plates (H)</b>						

		Drilling distance (K)						
		3	4	5	6	7		
Overlay (C)	11			0		2		
	10		0		2			
	9	0		2		4		
	8		2		4			
	7	2		4		6		
	6		4		6			
	5	4		6				
4		6						
3	6							
		<b>Mounting plates (H)</b>						

Table to determine the minimum distance **A** so that a door with **T** thickness can open without protrusion from the cabinet and without interfering with adjacent doors.

T=	16	17	18	19	20	21	22	23	24	25	26
K=3 A=	0.00	0.00	0.00	0.00	0.00	0.00	0.20	0.55	6.80	8.10	13.55
K=4 A=	0.00	0.00	0.00	0.00	0.00	0.05	0.30	3.50	5.85	7.25	12.55
K=5 A=	0.00	0.00	0.00	0.00	0.00	0.05	0.30	3.55	4.90	6.25	11.55
K=6 A=	0.00	0.00	0.00	0.00	0.00	0.05	0.40	3.00	3.90	5.25	10.55
K=7 A=	0.00	0.00	0.00	0.00	0.00	0.05	1.20	2.20	3.15	4.25	9.55



# MS Slide-On 95° Ø35 for thick doors



## Technical specifications:

- Depth of the metal cup 11.3mm standard, 12.3mm Genios
- Cup diameter 35mm
- Opening 95°
- Possibility of door drilling (K) from 3 to 7 mm
- Thickness of the door (T) from 16 to 30 mm
- Genios and SlowMotion Alfa solutions

CRANK 0



CRANK 4



CRANKS 8, 15  
TO PAGE 78 >>>



I  
A  
D

51.MT15.05.00.0

51.MZ15.05.00.0 ●

51.MT15.05.04.0

51.MZ15.05.04.0 ●

51.MT15.05.00.C

51.MZ15.05.00.C ●

51.MT15.05.04.C

51.MZ15.05.04.C ●

51.MT15.05.00.B

51.MZ15.05.00.B ●

51.MT15.05.04.B

51.MZ15.05.04.B ●

Available with premounted selftapping screws



I  
A  
D

51.MT16.05.00.M

51.MZ16.05.00.M ●

51.MT16.05.04.M

51.MZ16.05.04.M ●

51.MT16.05.00.N

51.MZ16.05.00.N ●

51.MT16.05.04.N

51.MZ16.05.04.N ●

51.MT16.05.00.E

51.MZ16.05.00.E ●

51.MT16.05.04.E

51.MZ16.05.04.E ●



I  
A  
D

51.MT16.05.00.\*

51.MZ16.05.00.0 ●

51.MT16.05.04.\*

51.MZ16.05.04.0 ●

51.MT16.05.00.S

51.MZ16.05.00.S ●

51.MT16.05.04.S

51.MZ16.05.04.S ●

51.MT16.05.00.B

51.MZ16.05.00.B ●

51.MT16.05.04.B

51.MZ16.05.04.B ●

\* 0 = dowels Ø10mm / D = dowels Ø8mm



I  
A  
D

51.MT18.05.00.V

51.MZ18.05.00.V ●

51.MT18.05.04.V

51.MZ18.05.04.V ●

51.MT18.05.00.U

51.MZ18.05.00.U ●

51.MT18.05.04.U

51.MZ18.05.04.U ●

51.MT18.05.00.Z

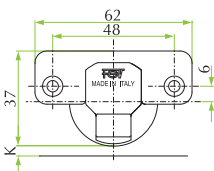
51.MZ18.05.00.Z ●

51.MT18.05.04.Z

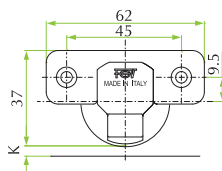
51.MZ18.05.04.Z ●

● = G / Genios Solution

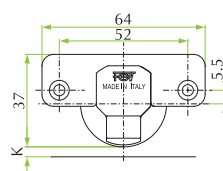
I



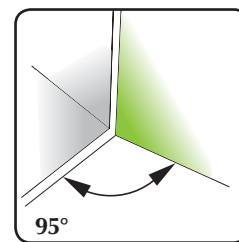
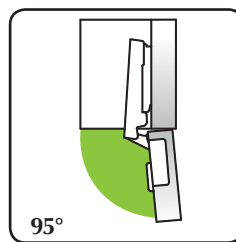
A



D

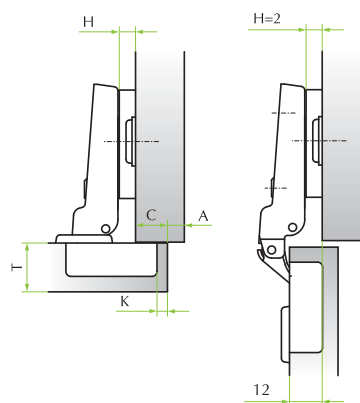
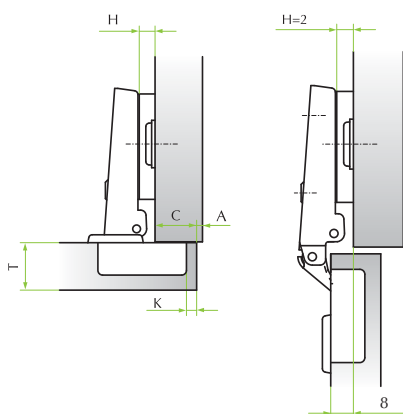


The mounting plates and fittings for this hinge series are shown from page 100 to page 107.



**CRANK 0**  
For lay-on doors

**CRANK 4**  
For partial lay-on doors



		Drilling distance (K)						
		3	4	5	6	7		
Overlay (C)	19			0		2		
	18		0		2			
	17	0		2		4		
	16		2		4			
	15	2		4		6		
	14		4		6			
	13	4		6				
	12		6					
11	6						Mounting plates (H)	

		Drilling distance (K)						
		3	4	5	6	7		
Overlay (C)	15			0		2		
	14		0		2			
	13	0		2		4		
	12		2		4			
	11	2		4		6		
	10		4		6			
	9	4		6				
	8		6					
7	6						Mounting plates (H)	

Table to determine the minimum distance **A** so that a door with **T** thickness can open without protrusion from the cabinet and without interfering with adjacent doors.

T=	A=	16	17	18	19	20	21	22	23	24	25	26	27	28	29	30
K=3	A=	0.00	0.15	0.35	0.50	0.70	0.85	1.15	1.65	2.55	3.40	4.30	5.20	6.15	7.10	8.00
K=4	A=	0.00	0.15	0.30	0.50	0.65	0.85	1.10	1.40	2.10	2.90	3.80	4.65	5.50	6.45	7.40
K=5	A=	0.00	0.15	0.30	0.50	0.65	0.80	1.00	1.35	1.75	2.50	3.30	4.15	5.00	5.90	6.75
K=6	A=	0.00	0.10	0.30	0.45	0.65	0.80	1.00	1.30	1.65	2.15	2.90	3.65	4.50	5.40	6.05
K=7	A=	0.00	0.10	0.30	0.45	0.60	0.80	0.95	1.25	1.60	1.90	2.55	3.30	4.05	4.90	5.75

# MS Slide-On 95° Ø35 for thick doors



<<<CRANKS 0, 4 TO PAGE 76

CRANK 8

CRANK 15



I  
A  
D

51.MT15.05.08.0

51.MZ15.05.08.0 ●

51.MT15.05.15.0

51.MZ15.05.15.0 ●

51.MT15.05.08.C

51.MZ15.05.08.C ●

51.MT15.05.15.C

51.MZ15.05.15.C ●

51.MT15.05.08.B

51.MZ15.05.08.B ●

51.MT15.05.15.B

51.MZ15.05.15.B ●

Available with premounted selftapping screws



I  
A  
D

51.MT16.05.08.M

51.MZ16.05.08.M ●

51.MT16.05.15.M

51.MZ16.05.15.M ●

51.MT16.05.08.N

51.MZ16.05.08.N ●

51.MT16.05.15.N

51.MZ16.05.15.N ●

51.MT16.05.08.E

51.MZ16.05.08.E ●

51.MT16.05.15.E

51.MZ16.05.15.E ●



I  
A  
D

51.MT16.05.08.\*

51.MZ16.05.08.0 ●

51.MT16.05.15.\*

51.MZ16.05.15.0 ●

51.MT16.05.08.S

51.MZ16.05.08.S ●

51.MT16.05.15.S

51.MZ16.05.15.S ●

51.MT16.05.08.B

51.MZ16.05.08.B ●

51.MT16.05.15.B

51.MZ16.05.15.B ●

\* 0 = dowels Ø10mm / D = dowels Ø8mm



I  
A  
D

51.MT18.05.08.V

51.MZ18.05.08.V ●

51.MT18.05.15.V

51.MZ18.05.15.V ●

51.MT18.05.08.U

51.MZ18.05.08.U ●

51.MT18.05.15.U

51.MZ18.05.15.U ●

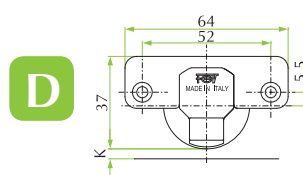
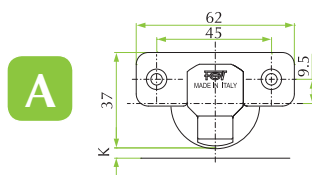
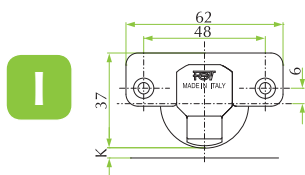
51.MT18.05.08.Z

51.MZ18.05.08.Z ●

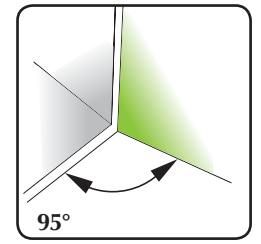
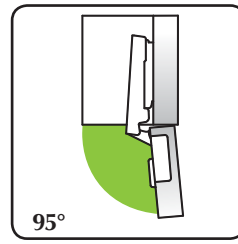
51.MT18.05.15.Z

51.MZ18.05.15.Z ●

● = G / Genios Solution

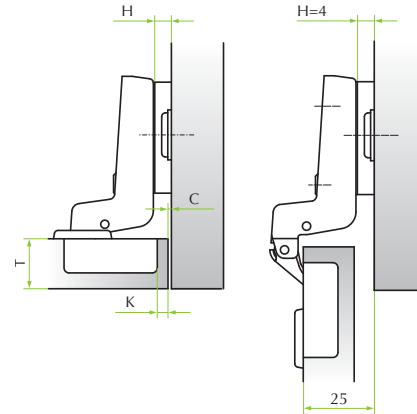
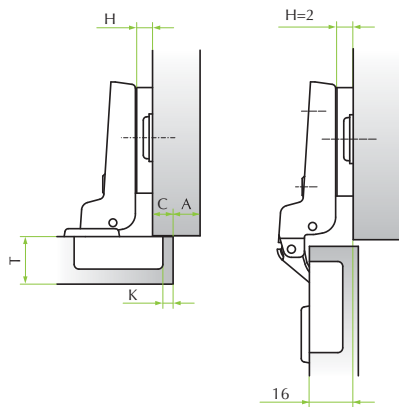


The mounting plates and fittings for this hinge series are shown from page 100 to page 107.



**CRANK 8**  
For partial lay-on doors

**CRANK 15**  
For inset doors



		Drilling distance (K)						
		3	4	5	6	7		
Overlay (C)	11			0		2		
	10		0		2			
	9	0		2		4		
	8		2		4			
	7	2		4		6		
	6		4		6			
	5	4		6				
	4		6					
3	6							
		Mounting plates (H)						

		Drilling distance (K)						
		3	4	5	6	7		
Overlay (C)	0	2		4		6		
	1		4		6			
	2	4		6				
	3		6					
	4	6						
		Mounting plates (H)						

Table to determinate the minimum distance **A** so that a door with **T** thickness can open without protrusion from the cabinet and without interfering with adjacent doors.

T=	16	17	18	19	20	21	22	23	24	25	26	27	28	29	30
K=3 A=	0.00	0.15	0.35	0.50	0.70	0.85	1.15	1.65	2.55	3.40	4.30	5.20	6.15	7.10	8.00
K=4 A=	0.00	0.15	0.30	0.50	0.65	0.85	1.10	1.40	2.10	2.90	3.80	4.65	5.50	6.45	7.40
K=5 A=	0.00	0.15	0.30	0.50	0.65	0.80	1.00	1.35	1.75	2.50	3.30	4.15	5.00	5.90	6.75
K=6 A=	0.00	0.10	0.30	0.45	0.65	0.80	1.00	1.30	1.65	2.15	2.90	3.65	4.50	5.40	6.05
K=7 A=	0.00	0.10	0.30	0.45	0.60	0.80	0.95	1.25	1.60	1.90	2.55	3.30	4.05	4.90	5.75

# MS Slide-On 110° for corner doors



## Technical specifications:

- Depth of the metal cup 11.3mm
- Cup diameter 35mm
- Opening 110°
- Possibility of door drilling (K) from 3 to 7 mm
- Thickness of the door (T) from 16 to 26 mm

ANGLE -25°



ANGLE +25°



ANGLES 24°÷30°, 45°, 90° TO PAGE 82 >>>



I  
A  
D

51.MK85.M5.25.0  
51.MK85.M5.25.C  
51.MK85.M5.25.B

51.MS85.05.25.0  
51.MS85.05.25.C  
51.MS85.05.25.B

Available with premounted selftapping screws



I  
A  
D

51.MK86.M5.25.M  
51.MK86.M5.25.N  
51.MK86.M5.25.E

51.MS86.05.25.M  
51.MS86.05.25.N  
51.MS86.05.25.E



I  
A  
D

51.MK86.M5.25.\*  
51.MK86.M5.25.S  
51.MK86.M5.25.B

51.MS86.05.25.\*  
51.MS86.05.25.S  
51.MS86.05.25.B

\* 0 = dowels Ø10mm / D = dowels Ø8mm

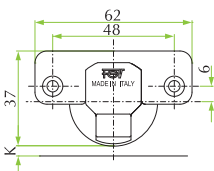


I  
A  
D

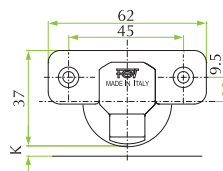
51.MK88.M5.25.V  
51.MK88.M5.25.U  
51.MK88.M5.25.Z

51.MS88.05.25.V  
51.MS88.05.25.U  
51.MS88.05.25.Z

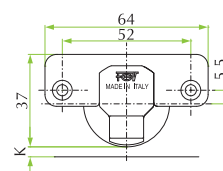
I



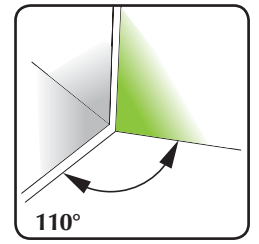
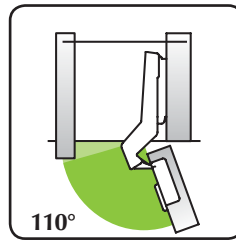
A



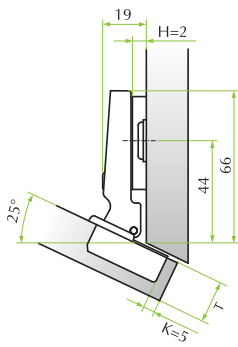
D



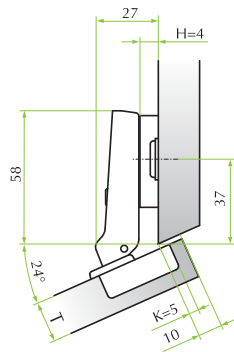
The mounting plates and fittings for this hinge series are shown from page 100 to page 107.



ANGLE -25°



ANGLE +25°



# MS Slide-On 110° for corner doors



## Technical specifications:

- Depth of the metal cup 11.3mm
- Cup diameter 35mm
- Opening 110°
- Possibility of door drilling (K) from 3 to 7 mm
- Thickness of the door (T) from 16 to 26 mm
- Genios, SlowMotion Alfa and OneTouch solutions

<<< ANGLES -25°, +25°  
TO PAGE 80

ANGLE 24° ± 30°

ANGLE 45°

ANGLE 90°



I  
A  
D

51.MS85.05.30.0 ●  
51.MS85.05.30.C ●  
51.MS85.05.30.B ●

51.MS85.M5.45.0 ●  
51.MS85.M5.45.C ●  
51.MS85.M5.45.B ●

51.MS85.M5.90.0 ●  
51.MS85.M5.90.C ●  
51.MS85.M5.90.B ●

Available with premounted selftapping screws



I  
A  
D

51.MS86.05.30.M ●  
51.MS86.05.30.N ●  
51.MS86.05.30.E ●

51.MS86.M5.45.M ●  
51.MS86.M5.45.N ●  
51.MS86.M5.45.E ●

51.MS86.M5.90.M ●  
51.MS86.M5.90.N ●  
51.MS86.M5.90.E ●



I  
A  
D

51.MS86.05.30.\* ●  
51.MS86.05.30.S ●  
51.MS86.05.30.B ●

51.MS86.M5.45.\* ●  
51.MS86.M5.45.S ●  
51.MS86.M5.45.B ●

51.MS86.M5.90.\* ●  
51.MS86.M5.90.S ●  
51.MS86.M5.90.B ●

\* 0 = dowels Ø10mm / D = dowels Ø8mm



I  
A  
D

51.MS88.05.30.V ●  
51.MS88.05.30.U ●  
51.MS88.05.30.Z ●

51.MS88.M5.45.V ●  
51.MS88.M5.45.U ●  
51.MS88.M5.45.Z ●

51.MS88.M5.90.V ●  
51.MS88.M5.90.U ●  
51.MS88.M5.90.Z ●



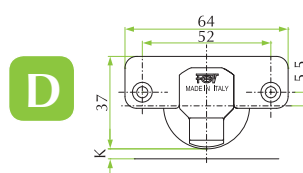
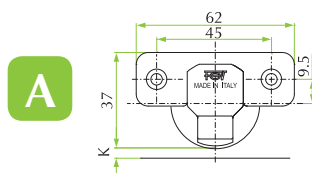
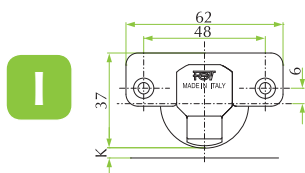
I  
A  
D

51.MS89.05.30.0 ●  
51.MS89.05.30.S ●  
51.MS89.05.30.B ●

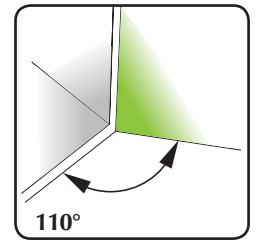
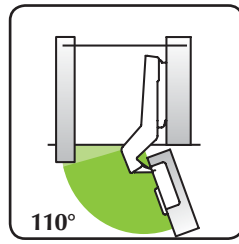
51.MS89.M5.45.0 ●  
51.MS89.M5.45.S ●  
51.MS89.M5.45.B ●

51.MS89.M5.90.0 ●  
51.MS89.M5.90.S ●  
51.MS89.M5.90.B ●

● = G / Genios Solution



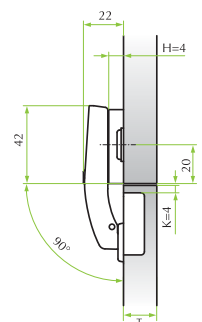
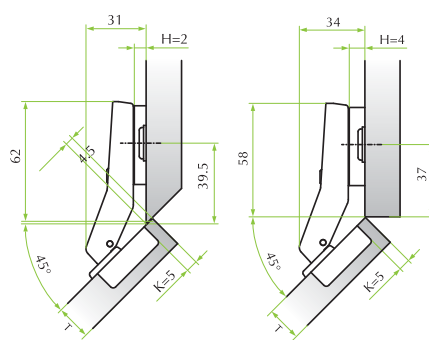
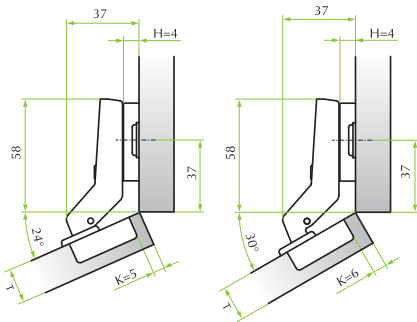
The mounting plates and fittings for this hinge series are shown from page 100 to page 107.



ANGLE 24°÷30°

ANGLE 45°

ANGLE 90°





# MS Slide-On for corner cabinet



## Technical specifications:

- Depth of the metal cup 11.3mm
- Cup diameter 35mm
- Opening 110° with (K) max 4mm and (T) max 18mm
- Possibility of door drilling (K) from 3 to 7 mm
- Thickness of the door (T) from 16 to 26 mm



I  
A  
D

51.MS83.M5.35.0

51.MS83.M5.35.C

51.MS83.M5.35.B

Available with premounted selftapping screws



I  
A  
D

51.MS84.M5.35.M

51.MS84.M5.35.N

51.MS84.M5.35.E



I  
A  
D

51.MS84.M5.35.\*

51.MS84.M5.35.S

51.MS84.M5.35.B

\* 0 = dowels Ø10mm / D = dowels Ø8mm



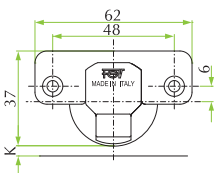
I  
A  
D

51.MS88.M5.35.V

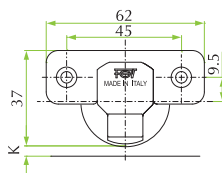
51.MS88.M5.35.U

51.MS88.M5.35.Z

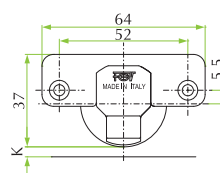
I



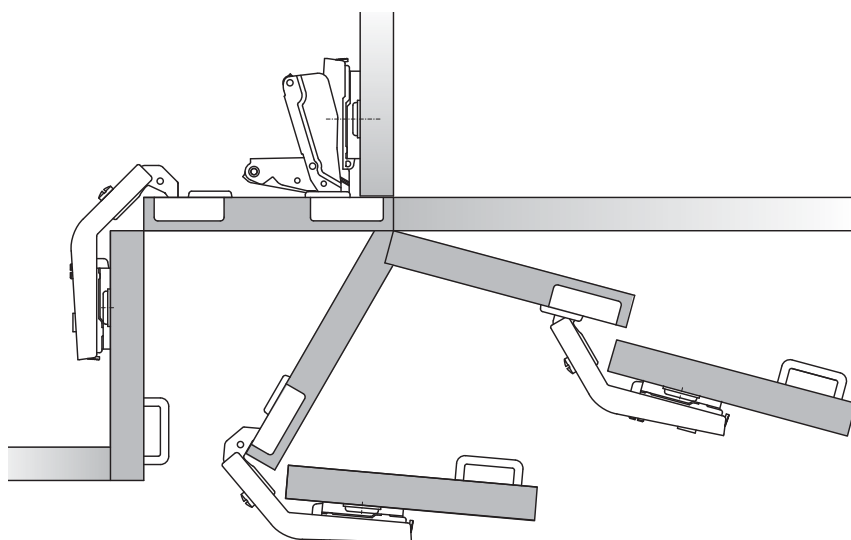
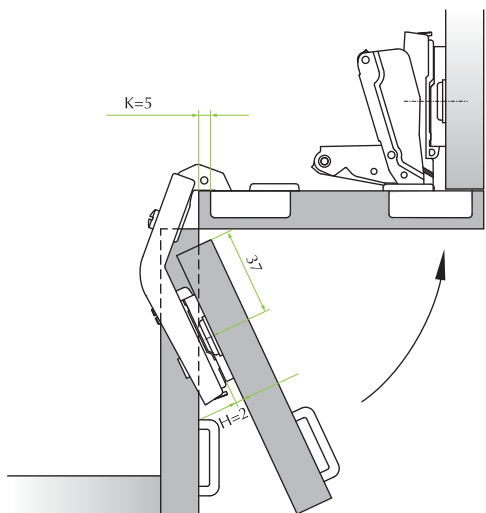
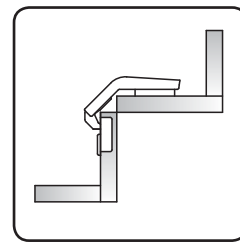
A



D



The mounting plates and fittings for this hinge series are shown from page 100 to page 107.



# MS Slide-On 90° Ø40 for thick doors



## Technical specifications:

- Depth of the metal cup 12.8mm
- Cup diameter 40mm
- Opening 90°
- Possibility of door drilling (K) from 3 to 15 mm
- Thickness of the door (T) from 16 to 40 mm
- OneTouch solutions

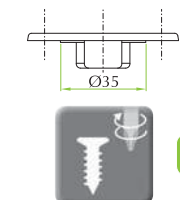
CRANK 0



CRANK 8

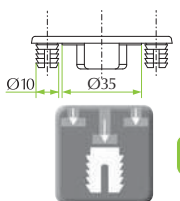


CRANKS 15, 22 TO PAGE 88 >>>



51.MN45.05.00.0

51.MN45.05.08.0



51.MN46.05.00.0

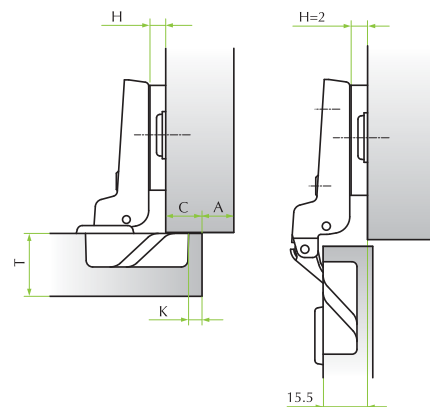
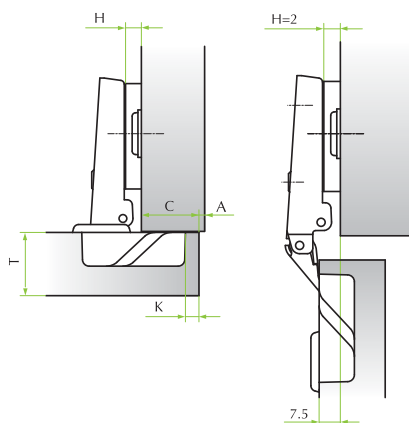
51.MN46.05.08.0

CRANK 0

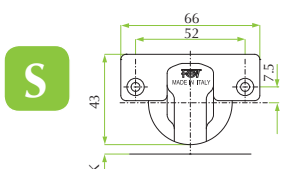
For lay-on doors

CRANK 8

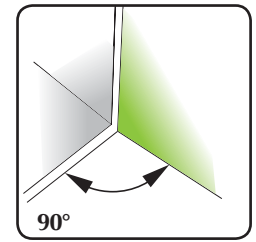
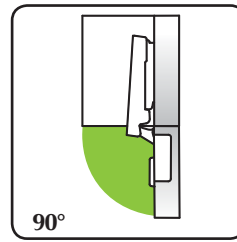
For partial lay-on doors



CUP HOLE DISTANCE 52x7.5mm



The mounting plates and fittings for this hinge series are shown from page 100 to page 107.



**CRANK 0**  
For lay-on doors

		Drilling distance (K)													
		4	5	6	7	8	9	10	11	12	13	14	15		
Overlay (C)	32										0		2		
	31									0		2			
	30								0		2		4		
	29							0		2		4			
	28					0		2		4		6			
	27				0		2		4		6				
	26			0		2		4		6					
	25		0		2		4		6						
	24	0		2		4		6							
	23	0	2		4		6								
	22	2		4		6									
	21	2	4		6										
	20	4		6											
	19	4	6												
	18	6													
17	6														

Mounting plates (H)

**CRANK 8**  
For partial lay-on doors

		Drilling distance (K)													
		4	5	6	7	8	9	10	11	12	13	14	15		
Overlay (C)	24										0		2		
	23									0		2			
	22								0		2		4		
	21							0		2		4			
	20					0		2		4		6			
	19				0		2		4		6				
	18			0		2		4		6					
	17		0		2		4		6						
	16	0		2		4		6							
	15	0	2		4		6								
	14	2		4		6									
	13	2	4		6										
	12	4		6											
	11	4	6												
	10	6													
9	6														

Mounting plates (H)

Table to determinate the minimum distance **A** so that a door with **T** thickness can open without protrusion from the cabinet and without interfering with adjacent doors.

T=	20	21	22	23	24	25	26	27	28	29	30	31	32	33	34	35	36	37	38	39	40
K=3 A=	0.20	0.35	0.55	0.70	0.9	1.05	1.25	1.40	1.60	2.25	3.20	4.15	5.05	6.05	7.00	8.00	9.00	9.95	10.95	11.95	12.95
K=4 A=	0.20	0.35	0.50	0.70	0.85	1.05	1.20	1.40	1.55	1.75	2.55	3.45	4.40	5.35	6.30	7.25	8.15	9.15	10.15	11.10	12.10
K=5 A=	0.15	0.35	0.50	0.70	0.85	1.05	1.20	1.40	1.55	1.70	2.05	2.80	3.75	4.70	5.65	6.55	7.50	8.45	9.40	10.35	11.25
K=6 A=	0.15	0.30	0.50	0.65	0.85	1.00	1.20	1.35	1.55	1.70	2.00	2.30	3.10	4.05	4.95	5.90	6.85	7.80	8.75	9.65	10.60
K=7 A=	0.15	0.30	0.50	0.65	0.85	1.00	1.15	1.35	1.50	1.70	1.90	2.25	2.60	3.50	4.35	5.25	6.20	7.15	8.05	9.00	9.95
K=8 A=	0.10	0.30	0.45	0.65	0.8	1.00	1.15	1.35	1.50	1.70	1.85	2.20	2.55	3.00	3.85	4.70	5.60	6.50	7.40	8.35	9.30
K=9 A=	0.10	0.25	0.45	0.60	0.8	0.95	1.15	1.30	1.50	1.65	1.85	2.15	2.50	2.80	3.35	4.20	5.10	5.95	6.80	7.70	8.65
K=10 A=	0.10	0.25	0.45	0.60	0.8	0.95	1.15	1.30	1.50	1.65	1.85	2.10	2.40	2.75	3.10	3.70	4.60	5.45	6.30	7.20	8.05
K=11 A=	0.05	0.25	0.40	0.60	0.75	0.95	1.10	1.30	1.45	1.60	1.80	2.00	2.35	2.70	3.05	3.40	4.10	4.95	5.80	6.70	7.55
K=12 A=	0.05	0.25	0.40	0.60	0.75	0.90	1.10	1.25	1.45	1.60	1.80	1.95	2.30	2.65	3.00	3.35	3.75	4.50	5.30	6.20	7.05
K=13 A=	0.05	0.20	0.40	0.55	0.75	0.90	1.10	1.25	1.45	1.60	1.80	1.95	2.25	2.60	2.90	3.25	3.60	4.15	4.90	5.70	6.55
K=14* A=	0.05	0.20	0.40	0.55	0.70	0.90	1.05	1.25	1.40	1.60	1.75	1.95	2.10	2.50	2.85	3.20	3.55	3.90	4.55	5.35	6.05
K=15* A=	0.00	0.02	0.35	0.55	0.70	0.90	1.05	1.25	1.40	1.55	1.75	1.90	2.10	2.45	2.80	3.15	3.50	3.85	4.25	4.95	5.75

\* L= 0,77 • L= 1,76

# MS Slide-On 90° Ø40 for thick doors

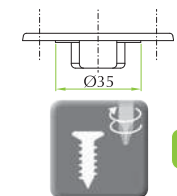


<<< CRANKS 0, 8  
TO PAGE 86

**CRANK 15**



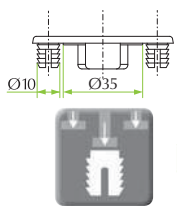
**CRANK 22**



**S**

51.MN45.05.15.0

51.MN45.05.22.0

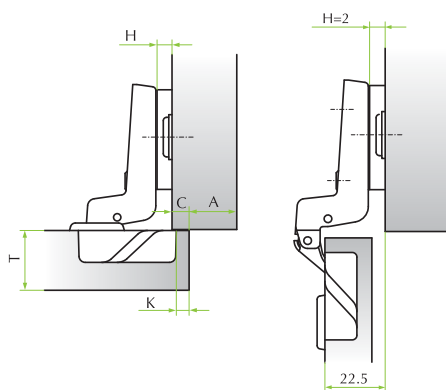


**S**

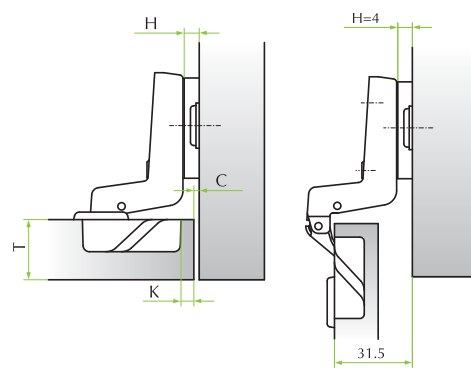
51.MN46.05.15.0

51.MN46.05.22.0

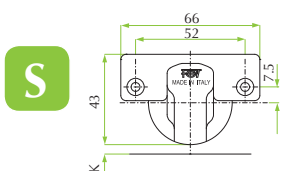
**CRANK 15**  
For lay-on doors



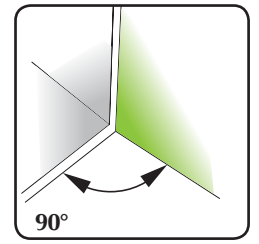
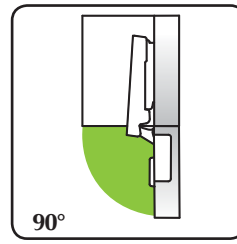
**CRANK 22**  
For partial lay-on doors



CUP HOLE DISTANCE 52x7.5mm



The mounting plates and fittings for this hinge series are shown from page 100 to page 107.



**CRANK 15**  
For lay-on doors

		Drilling distance (K)															
		4	5	6	7	8	9	10	11	12	13	14	15				
Overlay (C)	17										0	2					
	16									0	2						
	15								0	2	4						
	14							0	2	4	6						
	13					0	2	4	6								
	12				0	2	4	6									
	11			0	2	4	6										
	10		0	2	4	6											
	9	0	2	4	6												
	8	0	2	4	6												
	7	2	4	6													
	6	2	4	6													
	5	4	6														
	4	4	6														
	3	6															
2	6																

Mounting plates (H)

**CRANK 22**  
For partial lay-on doors

		Drilling distance (K)															
		4	5	6	7	8	9	10									
Overlay (C)	0		2	4	6												
	1	2	4	6													
	2	4	6														
	3	4	6														
	4	6															
	5	6															
	6																

Mounting plates (H)

Table to determinate the minimum distance **A** so that a door with **T** thickness can open without protrusion from the cabinet and without interfering with adjacent doors.

T=	20	21	22	23	24	25	26	27	28	29	30	31	32	33	34	35	36	37	38	39	40
K=3 A=	0.20	0.35	0.55	0.70	0.9	1.05	1.25	1.40	1.60	2.25	3.20	4.15	5.05	6.05	7.00	8.00	9.00	9.95	10.95	11.95	12.95
K=4 A=	0.20	0.35	0.50	0.70	0.85	1.05	1.20	1.40	1.55	1.75	2.55	3.45	4.40	5.35	6.30	7.25	8.15	9.15	10.15	11.10	12.10
K=5 A=	0.15	0.35	0.50	0.70	0.85	1.05	1.20	1.40	1.55	1.70	2.05	2.80	3.75	4.70	5.65	6.55	7.50	8.45	9.40	10.35	11.25
K=6 A=	0.15	0.30	0.50	0.65	0.85	1.00	1.20	1.35	1.55	1.70	2.00	2.30	3.10	4.05	4.95	5.90	6.85	7.80	8.75	9.65	10.60
K=7 A=	0.15	0.30	0.50	0.65	0.85	1.00	1.15	1.35	1.50	1.70	1.90	2.25	2.60	3.50	4.35	5.25	6.20	7.15	8.05	9.00	9.95
K=8 A=	0.10	0.30	0.45	0.65	0.8	1.00	1.15	1.35	1.50	1.70	1.85	2.20	2.55	3.00	3.85	4.70	5.60	6.50	7.40	8.35	9.30
K=9 A=	0.10	0.25	0.45	0.60	0.8	0.95	1.15	1.30	1.50	1.65	1.85	2.15	2.50	2.80	3.35	4.20	5.10	5.95	6.80	7.70	8.65
K=10 A=	0.10	0.25	0.45	0.60	0.8	0.95	1.15	1.30	1.50	1.65	1.85	2.10	2.40	2.75	3.10	3.70	4.60	5.45	6.30	7.20	8.05
K=11 A=	0.05	0.25	0.40	0.60	0.75	0.95	1.10	1.30	1.45	1.60	1.80	2.00	2.35	2.70	3.05	3.40	4.10	4.95	5.80	6.70	7.55
K=12 A=	0.05	0.25	0.40	0.60	0.75	0.90	1.10	1.25	1.45	1.60	1.80	1.95	2.30	2.65	3.00	3.35	3.75	4.50	5.30	6.20	7.05
K=13 A=	0.05	0.20	0.40	0.55	0.75	0.90	1.10	1.25	1.45	1.60	1.80	1.95	2.25	2.60	2.90	3.25	3.60	4.15	4.90	5.70	6.55
K=14* A=	0.05	0.20	0.40	0.55	0.70	0.90	1.05	1.25	1.40	1.60	1.75	1.95	2.10	2.50	2.85	3.20	3.55	3.90	4.55	5.35	6.05
K=15* A=	0.00	0.02	0.35	0.55	0.70	0.90	1.05	1.25	1.40	1.55	1.75	1.90	2.10	2.45	2.80	3.15	3.50	3.85	4.25	4.95	5.75

\* L= 0,77 • L= 1,76

# MS Slide-On 90° Ø26 for wood doors



## Technical specifications:

- Depth of the metal cup 11.7mm
- Cup diameter 26mm
- Opening 90°
- Possibility of door drilling (K) from 3 to 5 mm
- Thickness of the door (T) from 16 to 26 mm

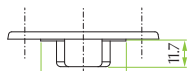
CRANK 0



CRANK 8



CRANK 15



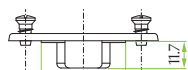
M

51.MG15.05.00.0

51.MG15.05.08.0

51.MG15.05.15.0

Available with premounted selftapping screws

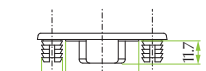


M

51.MG16.05.00.M

51.MG16.05.08.M

51.MG16.05.15.M



M

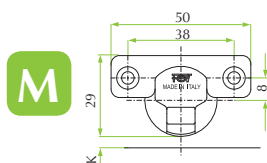
51.MG16.05.00.\*

51.MG16.05.08.\*

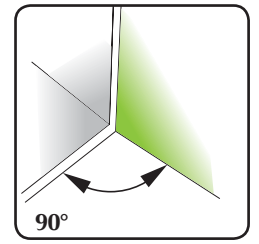
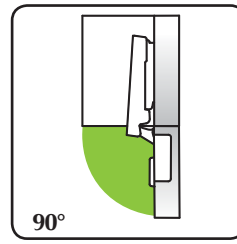
51.MG16.05.15.\*

\* 0 = dowels Ø10mm / D = dowels Ø8mm

CUP HOLE DISTANCE 38x8mm



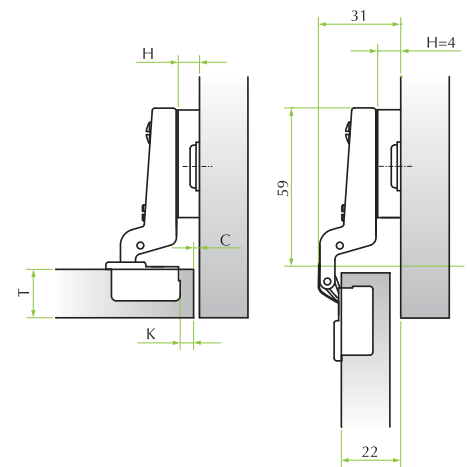
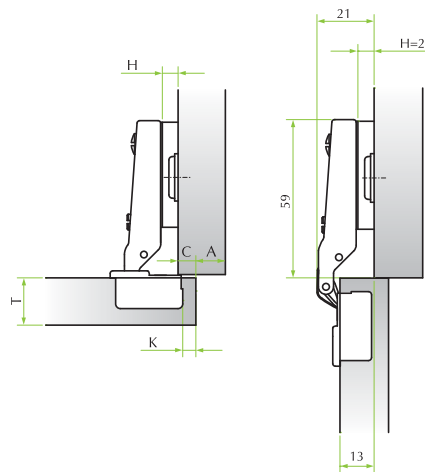
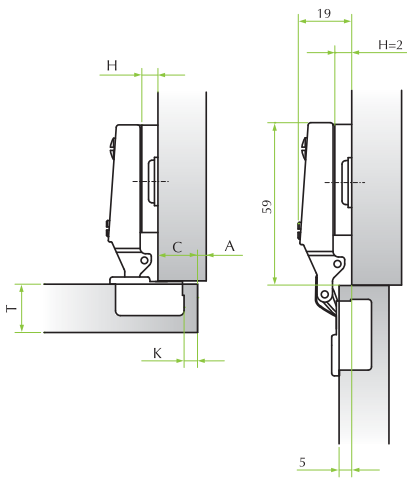
The mounting plates and fittings for this hinge series are shown from page 100 to page 107.



**CRANK 0**  
For lay-on doors

**CRANK 8**  
For partial lay-on doors

**CRANK 15**  
For inset doors



		Drilling distance (K)									
		3	4	5	6						
Overlay (C)	19				0						
	18			0							
	17		0		2						
	16	0		2							
	15		2		4						
	14		2		4						
	13		4		6						
	12		4		6						
	11		6								
10	6										
<b>Mounting plates (H)</b>											

		Drilling distance (K)									
		3	4	5	6						
Overlay (C)	11				0						
	10				0						
	9		0		2						
	8	0		2							
	7		2		4						
	6		2		4						
	5		4		6						
	4		4		6						
	3		6								
2	6										
<b>Mounting plates (H)</b>											

		Drilling distance (K)									
		3	4	5	6						
Overlay (C)	0		2		4						
	1	2		4							
	2		4		6						
	3		4		6						
	4		6								
	5		6								
<b>Mounting plates (H)</b>											

Table to determinate the minimum distance **A** so that a door with **T** thickness can open without protrusion from the cabinet and without interfering with adjacent doors.

	T=	16	17	18	19	20	21	22	23	24	25	26
K=3	A=	0.80	1.45	2.15	3.10	3.90	4.85	5.75	6.70	7.65	8.60	9.55
K=4	A=	0.75	1.25	1.75	2.55	3.30	4.20	5.10	6.05	7.00	7.95	8.85
K=5	A=	0.65	1.05	1.40	2.20	2.95	3.75	4.55	5.45	6.35	7.25	8.20



# MS Slide-On 90° Ø26 for glass doors



## Technical specifications:

- Nylon cup
- Cup diameter 26mm
- Opening 90°
- Possibility of door drilling (K) from 3 to 5 mm
- Thickness of the glass doors (T) from 4 to 5 mm

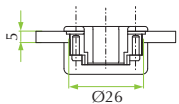
CRANK 0



CRANK 8



CRANK 15



NYLON  
(glass)



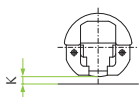
51.MG11.2\*.00.0

51.MG11.2\*.08.0

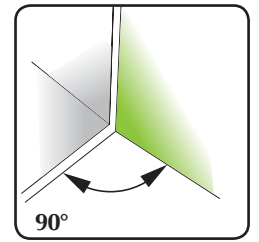
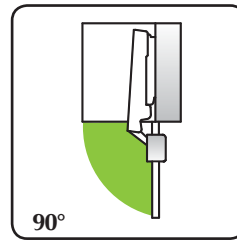
51.MG11.2\*.15.0

\* 1 = White / 3 = Black

NYLON (glass)



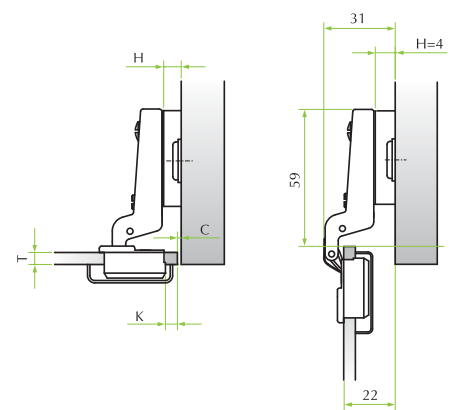
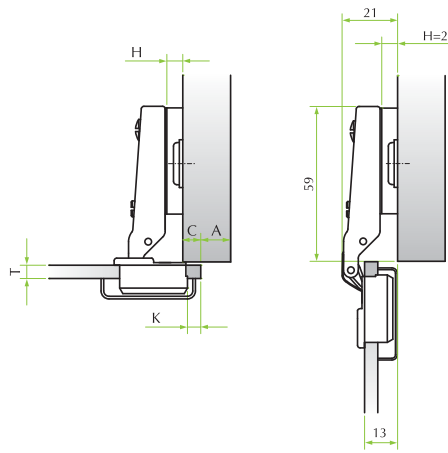
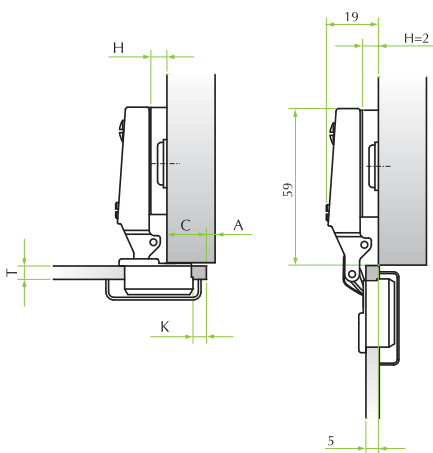
The mounting plates and fittings for this hinge series are shown from page 100 to page 107.



**CRANK 0**  
For lay-on doors

**CRANK 8**  
For partial lay-on doors

**CRANK 15**  
For inset doors



		Drilling distance (K)							
		3	4	5	6				
Overlay (C)	19				0				
	18			0					
	17		0	2					
	16	0	2						
	15	2	4						
	14	4	6						
	13	6							
	12								
	11								
10									
					Mounting plates (H)				

		Drilling distance (K)							
		3	4	5	6				
Overlay (C)	11				0				
	10			0					
	9		0	2					
	8	0	2						
	7	2	4						
	6	4	6						
	5	6							
	4								
	3								
	2								
						Mounting plates (H)			

		Drilling distance (K)							
		3	4	5	6				
Overlay (C)	0		2	4					
	1	2	4						
	2	4	6						
	3	6							
	4								
	5								
					Mounting plates (H)				

Table to determinate the minimum distance **A** so that a door with **T** thickness can open without protrusion from the cabinet and without interfering with adjacent doors.

	T=	16	17	18	19	20	21	22	23	24	25	26
K=3	A=	0.80	1.45	2.15	3.10	3.90	4.85	5.75	6.70	7.65	8.60	9.55
K=4	A=	0.75	1.25	1.75	2.55	3.30	4.20	5.10	6.05	7.00	7.95	8.85
K=5	A=	0.65	1.05	1.40	2.20	2.95	3.75	4.55	5.45	6.35	7.25	8.20

# MS Slide-On 105° for doors with aluminium frame



## Technical specifications:

- Depth of the zamak cup 9.9mm
- Cup drilling 28x7mm
- Opening 105°
- Aluminium frame from min. 19 to max 25 mm
- Genios and OneTouch solutions

## FIXING FOR GROOVED PROFILE

CRANK 0



51.MS41.05.00.0 ●

CRANK 8



51.MS41.05.08.0 ●

CRANK 15

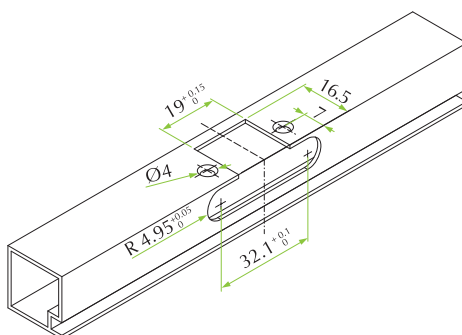


51.MS41.05.15.0 ●

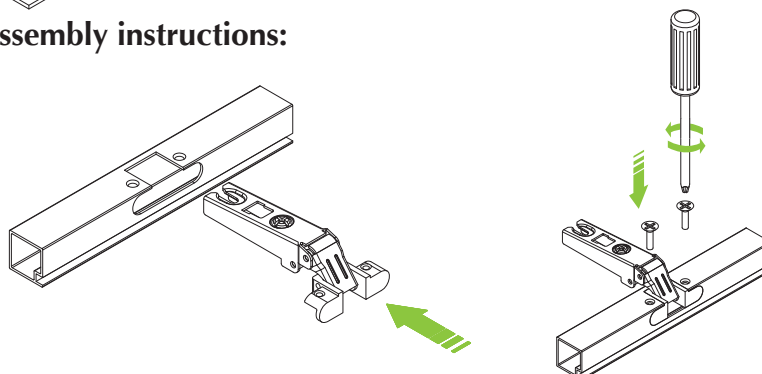
● = G / Genios Solution

## Drilling holes:

The two laterals drillings are  $\varnothing 4$ mm and are countersunk with 120°. Screws 3.5x12mm supplied on demand under code 1A05512105000.



## Assembly instructions:



The mounting plates and fittings for this hinge series are shown from page 100 to page 107.



# MS Slide-On 105° for doors with aluminium frame



## Technical specifications:

- Depth of the zamak cup 9.9mm
- Opening 105°
- Aluminium frame from min. 19 to max 25 mm

## LOCK FIXING

CRANK 0



51.MS31.05.00.0

CRANK 8



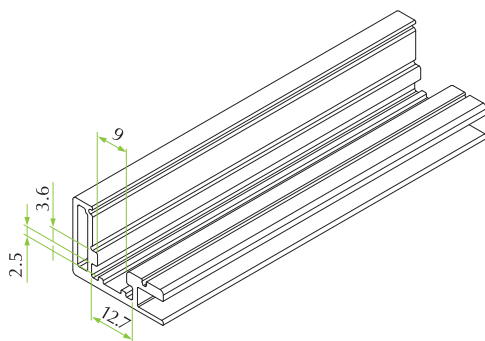
51.MS31.05.08.0

CRANK 15

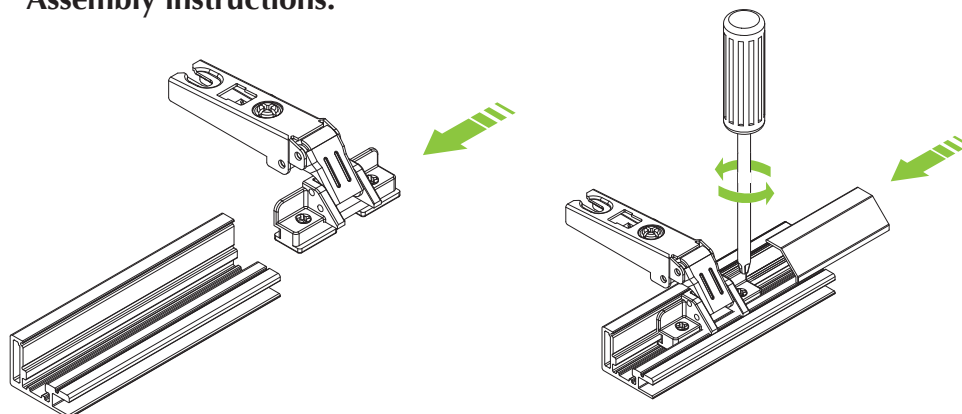


51.MS31.05.15.0

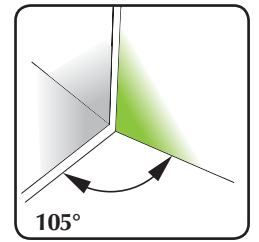
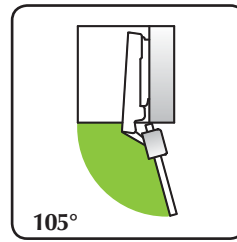
## Aluminium frame:



## Assembly instructions:

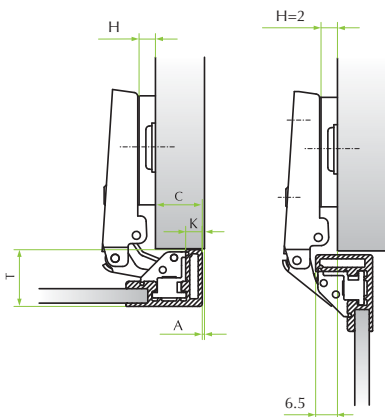


The mounting plates and fittings for this hinge series are shown from page 100 to page 107.



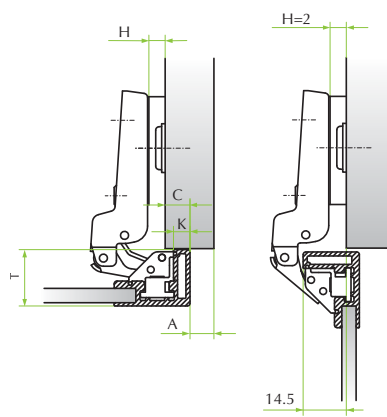
**CRANK 0**

For lay-on doors



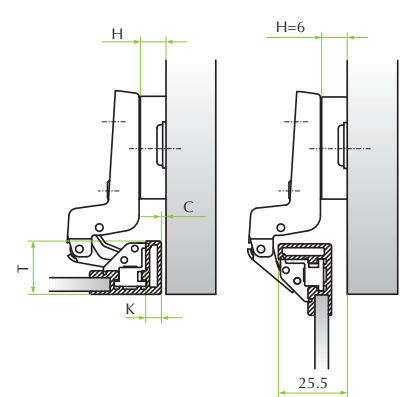
**CRANK 8**

For partial lay-on doors



**CRANK 15**

For inset doors



		Drilling distance (K)						
		3	4	5	6	7		
Overlay (C)	19					2		
	18				2			
	17			2	4			
	16		2	4				
	15	2	4	6				
	14	4	6					
	13	4	6					
	12	6						
11	6							

Mounting plates (H)

		Drilling distance (K)						
		3	4	5	6	7		
Overlay (C)	11					2		
	10				2			
	9			2	4			
	8		2	4				
	7	2	4	6				
	6	4	6					
	5	4	6					
	4	6						
3	6							

Mounting plates (H)

		Drilling distance (K)						
		3	4	5	6	7		
Overlay (C)	0	2	4	6				
	1	4	6					
	2	4	6					
	3	6						
	4	6						

Mounting plates (H)

Table to determine the minimum distance A so that a door with T thickness can open without protrusion from the cabinet and without interfering with adjacent doors.

T=	16	17	18	19	20	22	23	24	25	26	27
K=3 A=	0.55	0.75	1.10	1.45	1.80	2.40	3.10	3.90	4.70	6.70	6.50
K=4 A=	0.55	0.70	1.05	1.40	1.75	2.25	2.85	3.60	4.35	5.75	6.00
K=5 A=	0.53	0.70	1.00	1.35	1.65	2.10	2.65	3.30	4.00	4.75	5.55
K=6 A=	0.50	0.70	0.95	1.25	1.60	2.00	2.50	3.05	3.70	4.40	5.20
K=7 A=	0.50	0.65	0.85	1.20	1.55	1.90	2.35	2.85	3.45	4.10	4.80

# MS Slide-On 95° for flap doors



## Technical specifications:

- Depth of the metal cup 11.3mm
- Cup diameter 35mm
- Possibility of door drilling (K) from 3 to 7 mm
- Thickness of the door (T) from 16 to 26 mm

LEFT



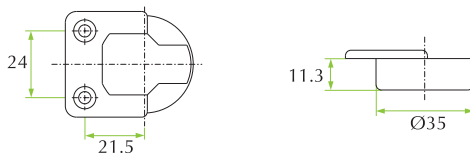
51.MN57.L9.00000

RIGHT

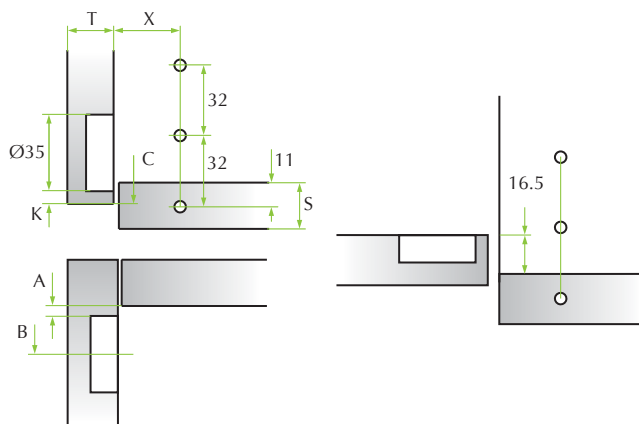


51.MN57.R9.00000

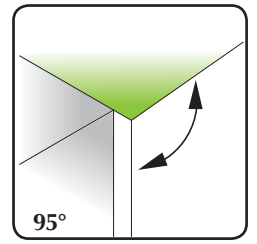
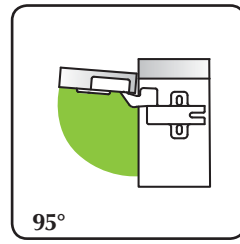
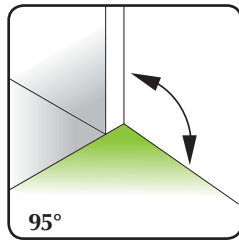
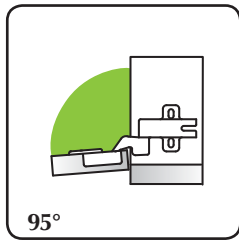
## Drilling holes:



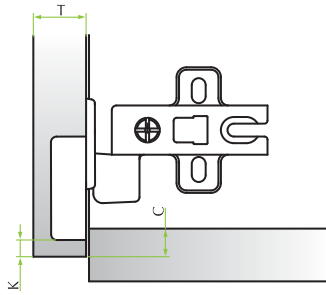
## Assembly instructions:



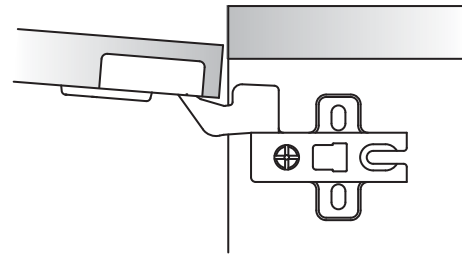
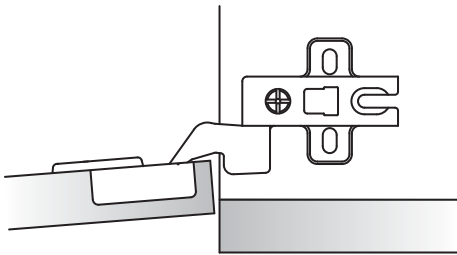
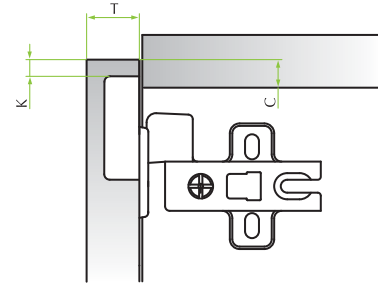
The mounting plates and fittings for this hinge series are shown from page 100 to page 107.



DOWN SOLUTION



UP SOLUTION



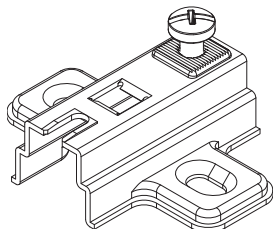
K	C	H	A	B
3	4.5	2	2.5	20
4	5.5	4	4.5	22
5	6.5	6	6.5	24
6	7.5			
7	8.5			



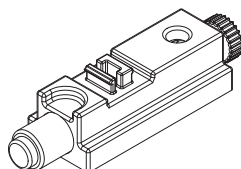
# Series MS Slide-On

## HOW TO CHOOSE YOUR MOUNTING PLATE

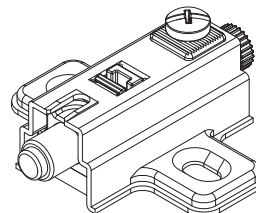
GENIOS **R**  SLIDE-ON RETROFIT MOUNTING PLATE



SLIDE-ON GENIOS DAMPER 



GENIOS **G** SLIDE-ON  INTEGRATED MOUNTING PLATE

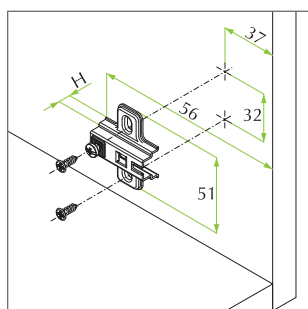





Genios Slide-On damper for Genios Slide-On Retrofit mounting plate.


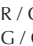


Height	Code
H=2	59.050G.10.02.00000
H=4	59.050G.10.04.00000
H=6	59.050G.10.06.00000

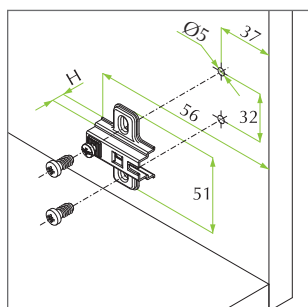
Metal cruciform mounting plate. Selftapping screw fixing. Vertical adjustment. Screws are provided on demand.






Height	Material	Code
H=0	Steel	52.C201.M5.00.1
H=2	Steel	52.0201.M5.02.1 
H=4	Steel	52.0201.M5.04.1 
H=6	Steel	52.0201.M5.06.1 
H=10	Zamak	52.0201.05.10.1

 = R / Genios Retrofit Solution  
 = G / Genios Integrated Solution

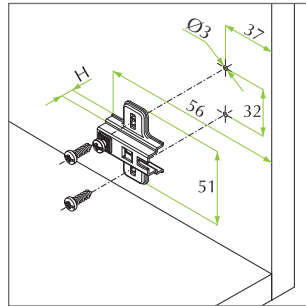
Metal cruciform mounting plate. Euro screws premounted. Vertical adjustment.



Height	Material	Code
H=0	Steel	52.C216.M5.00.*
H=2	Steel	52.0216.M5.02.* 
H=4	Steel	52.0216.M5.04.* 
H=6	Steel	52.0216.M5.06.* 
H=10	Zamak	52.0216.05.10.*
H=24	Zamak	52.0216.05.24.*

\* C =  D =  H =   = R / Genios Retrofit Solution  
 = G / Genios Integrated Solution

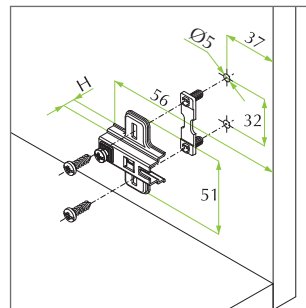
Metal cruciform mounting plate. Premounted selftapping screws Ø4.7mm. Vertical adjustment.



Height	Material	Code
H=0	Steel	52.C2G5.M5.00.1
H=2	Steel	52.02G5.M5.02.1 ●
H=4	Steel	52.02G5.M5.04.1 ●
H=6	Steel	52.02G5.M5.06.1 ●

● = R / Genios Retrofit Solution  
G / Genios Integrated Solution

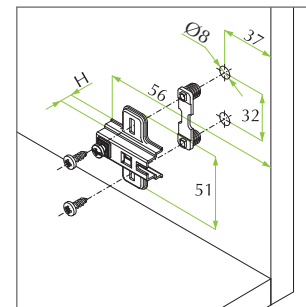
Metal cruciform mounting plate. Fixing by expanding X-Pando dowels Ø5mm. Vertical adjustment.



Height	Material	Code
H=0	Steel	52.C2N5.M5.00.*
H=2	Steel	52.02N5.M5.02.* ●
H=4	Steel	52.02N5.M5.04.* ●
H=6	Steel	52.02N5.M5.06.* ●
H=10	Zamak	52.02N5.05.10.*

\* 1 = 9.2    3 = 7.5    ● = R / Genios Retrofit Solution  
G / Genios Integrated Solution  
Available only for dowel 9.2

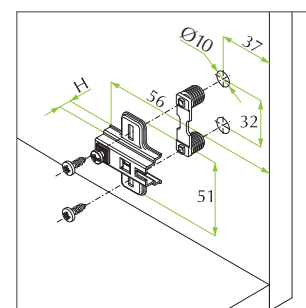
Metal cruciform mounting plate. Knock-in fixing with dowels Ø8mm. Vertical adjustment.



Height	Material	Code
H=0	Steel	52.C2*5.M5.00.1
H=2	Steel	52.02*5.M5.02.1 ●
H=4	Steel	52.02*5.M5.04.1 ●
H=6	Steel	52.02*5.M5.06.1 ●
H=10	Zamak	52.02*5.05.10.1

\* C = 10.8    E = 7.5    ● = R / Genios Retrofit Solution  
G / Genios Integrated Solution  
Available only for dowel 10.8

Metal cruciform mounting plate. Knock-in fixing with dowels Ø10mm. Vertical adjustment.



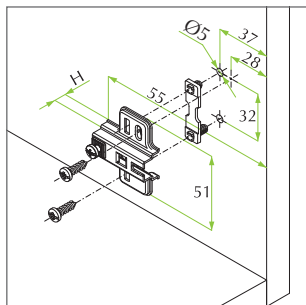
Height	Material	Code
H=0	Steel	52.C2*5.M5.00.1
H=2	Steel	52.02*5.M5.02.1 ●
H=4	Steel	52.02*5.M5.04.1 ●
H=6	Steel	52.02*5.M5.06.1 ●
H=10	Zamak	52.02*5.05.10.1

\* D = 10.8    F = 8.5    ● = R / Genios Retrofit Solution  
G / Genios Integrated Solution  
Available only for dowel 10.8

# Series MS Slide-On

Asymmetric mounting plate for central panel. Fixing by dowels and selftapping screws. Vertical adjustment.

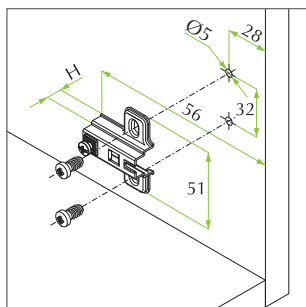
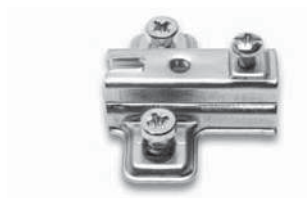
37



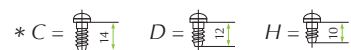
Height	Material	Code
H=2	Steel	52.52N7.M5.02.1
H=4	Steel	52.52N7.M5.04.1

Metal cruciform mounting plate. Euro screws premounted. Vertical adjustment.

28

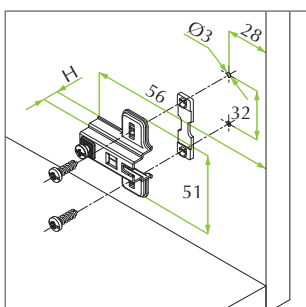


Height	Material	Code
H=4	Steel	52.0221.M5.04.*



Metal cruciform mounting plate. Premounted selftapping screws Ø4.7mm. Vertical adjustment.

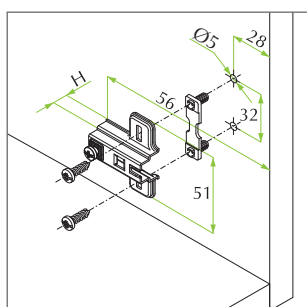
28



Height	Material	Code
H=4	Steel	52.02G1.M5.04.1

Metal cruciform mounting plate. Fixing by expanding X-Pando dowels Ø5mm. Vertical adjustment.

28

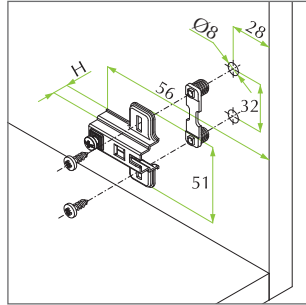


Height	Material	Code
H=4	Steel	52.02N1.M5.04.*



Metal cruciform mounting plate. Knock-in fixing with dowels Ø8mm. Vertical adjustment.

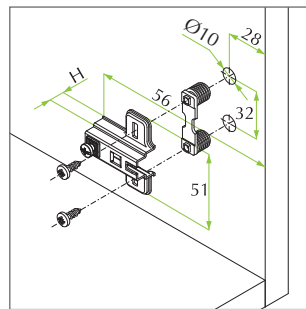
28



Height	Material	Code
H=4	Steel	52.02C1.M5.04.1

Metal cruciform mounting plate. Knock-in fixing with dowels Ø10mm. Vertical adjustment.

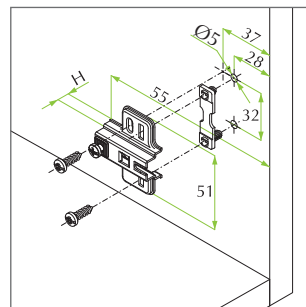
28



Height	Material	Code
H=4	Steel	52.02D1.M5.04.1

Asymmetric mounting plate for central panel. Fixing by dowels and selftapping screws. Vertical adjustment.

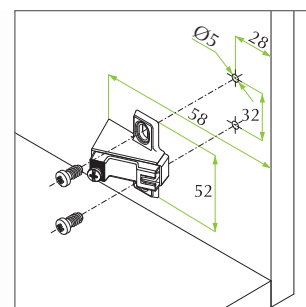
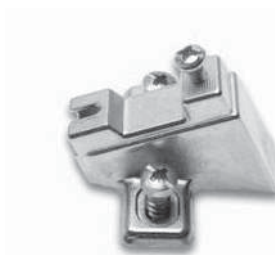
28



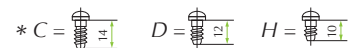
Height	Material	Code
H=2	Steel	52.52N3.M5.02.1
H=4	Steel	52.52N3.M5.04.1

Zamak cruciform mounting plate with 30° inclination. Euro screws premounted. Vertical adjustment.

28

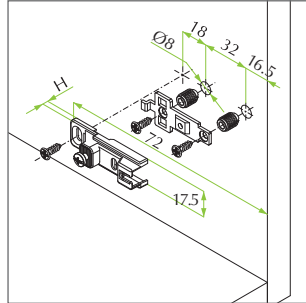
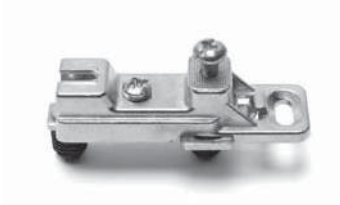


Angolo	Material	Code
30°	Zamak	52.0266.05.24.*



# Series MS Slide-On

Zamak linear mounting plate. Knock-in fixing with dowels  $\text{\O}8\text{mm}$ . Independent vertical adjustment.



**Height**

H=2

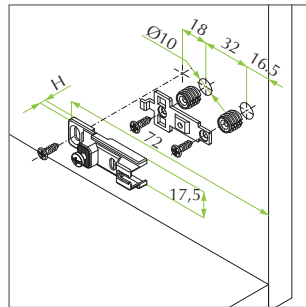
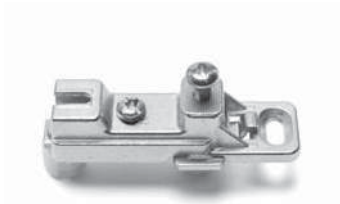
**Material**

Zamak

**Code**

52.0209.05.02.1

Zamak linear mounting plate. Knock-in fixing with dowels  $\text{\O}10\text{mm}$ . Independent vertical adjustment.



**Height**

H=2

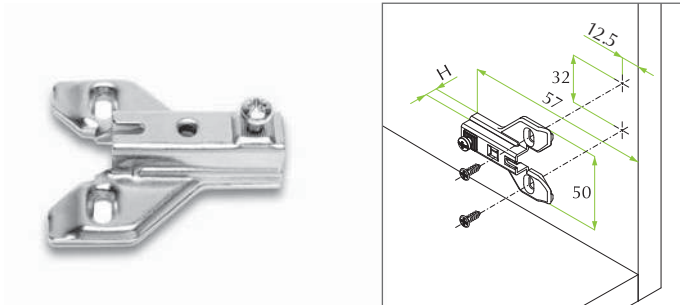
**Material**

Zamak

**Code**

52.0210.05.02.1

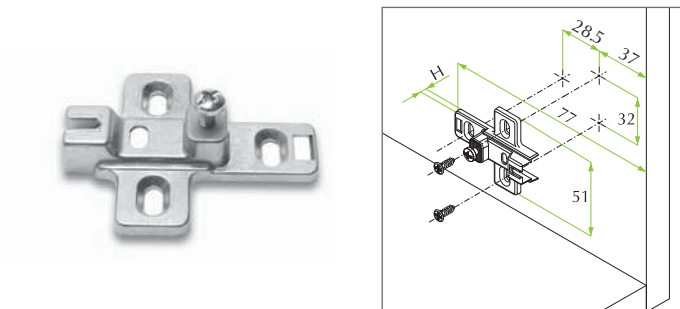
**Metal mounting plate. Selftapping screw fixing. Vertical adjustment.**  
Screws are provided on demand.



Height	Material	Code
H=2	Steel	52.0232.M5.02.1
H=5	Zamak	52.0232.05.05.1

**Zamak cruciform mounting plate. Selftapping screw fixing. Vertical adjustment.**  
Screws are provided on demand.

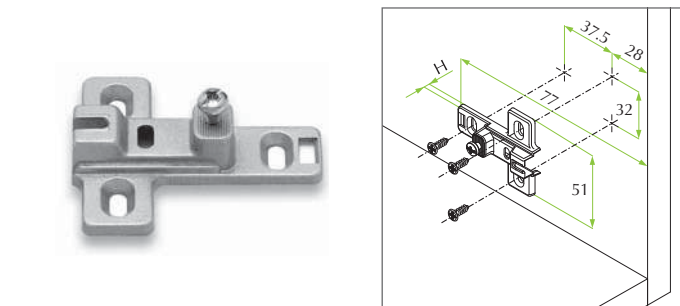
37



All applications are available on demand.

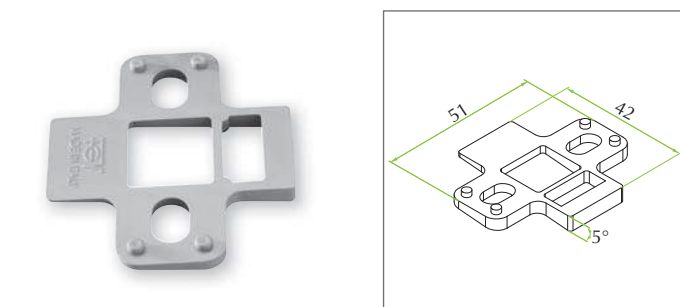
**Zamak cruciform mounting plate. Selftapping screw fixing. Vertical adjustment.**  
Screws are provided on demand.

28



All applications are available on demand.

**Spacer for mounting plates.**



Material	Code
Nylon	52.0SP6.06.05.000

Stackable to get multiples of 5°.

# Series MS Slide-On

## Round face plate for glass door hinge.



Colour	Code
Bright chrome	51.0150.05.01R.00
Matt chrome	51.0150.0G.01R.00
Bright gold	51.0150.04.01R.00
Black painted	51.0150.08.01R.00
Black RAL 9005	51.0150.0T.01R.00
White RAL 9016	51.0150.01.01R.00
Metallized bright chrome	51.0150.0K.01R.00
Metallized bright gold	51.0150.0H.01R.00
Matt chrome painted	51.0150.0J.01R.00
Matt nickel	51.0150.06.01R.00

## Oval face plate for glass door hinge.



Colour	Code
Bright chrome	51.0150.05.01D.00
Matt chrome	51.0150.0G.01D.00
Bright gold	51.0150.04.01D.00
Black painted	51.0150.08.01D.00
Black RAL 9005	51.0150.0T.01D.00
White RAL 9016	51.0150.01.01D.00
Metallized bright chrome	51.0150.0K.01D.00
Metallized bright gold	51.0150.0H.01D.00
Matt chrome painted	51.0150.0J.01D.00
Matt nickel	51.0150.06.01D.00

## Hinge arm cover.



Material	Code
Plastic	51.0M.00010.0000
Steel	51.0Y.00050.00000N
Steel with FGV Logo*	51.0YFGV.5.0000000

\*Customer logo on demand

## Hinge box cover.



Cup hole dist.	Material	Code
48-45	Steel	510C000500000
52	Steel	510C000500B00

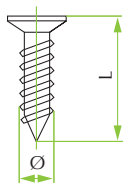
Ø35mm cover.



Material	Code
Nylon	5307C3**00000

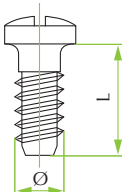
\*\* Colour code: A1 = White RAL 9010 / A2 = Brown RAL 8016 / C6 = Grey RAL 7004 / OI = Painted matt aluminium

Selftapping screws with Pozi drive head, nickel for hinge and mounting plate fixing.



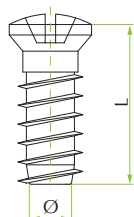
Ø	Length	Material	Code
4	12.5	Steel	1A035034150CF
4	15.5	Steel	1A035034250CF

Euro screws with Pozi drive head, nickel for mounting plate fixing.



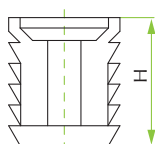
Ø	Length	Material	Code
6.3	10	Steel	1A075029350CF
6.3	12	Steel	1A075108250CF
6.3	14	Steel	1A075108150CF

Euro screws with Pozi drive head, nickel for hinge fixing.



Ø	Length	Material	Code
6.3	12	Steel	1A075130050CF

Dowel in nylon for hinge fixing.



Ø	Height	Material	Code
10	12	Nylon	2H011070530CF
8	11	Nylon	2H000449003CF